



HTS™ Snowplow
Blade Assembly 69500
Center Assembly 69525
Parts List

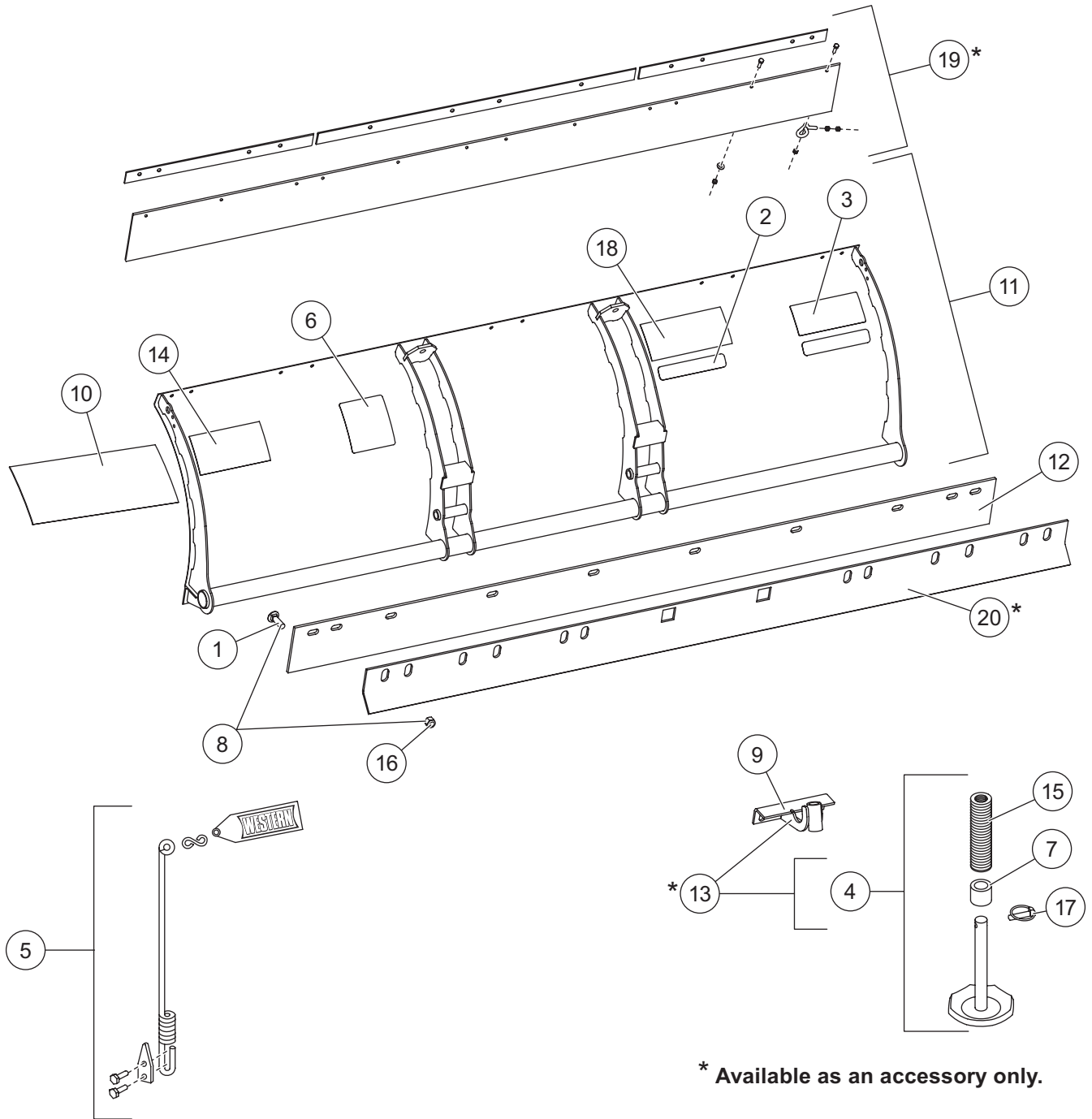


TABLE OF CONTENTS

HTS™ BLADE ASSEMBLY	4
HTS CENTER ASSEMBLY	6
Lift Frame and A-Frame Components	6
Hydraulic Unit Components	8
Lift and Angle Ram Components.....	10
Hoses and Fittings	10
Electrical Components.....	11
Vehicle-Side Wiring Diagram – 3-Port, 2-Plug Systems	12
Headlamp Kit	13

HTS™ BLADE ASSEMBLY 69500

Blade Components



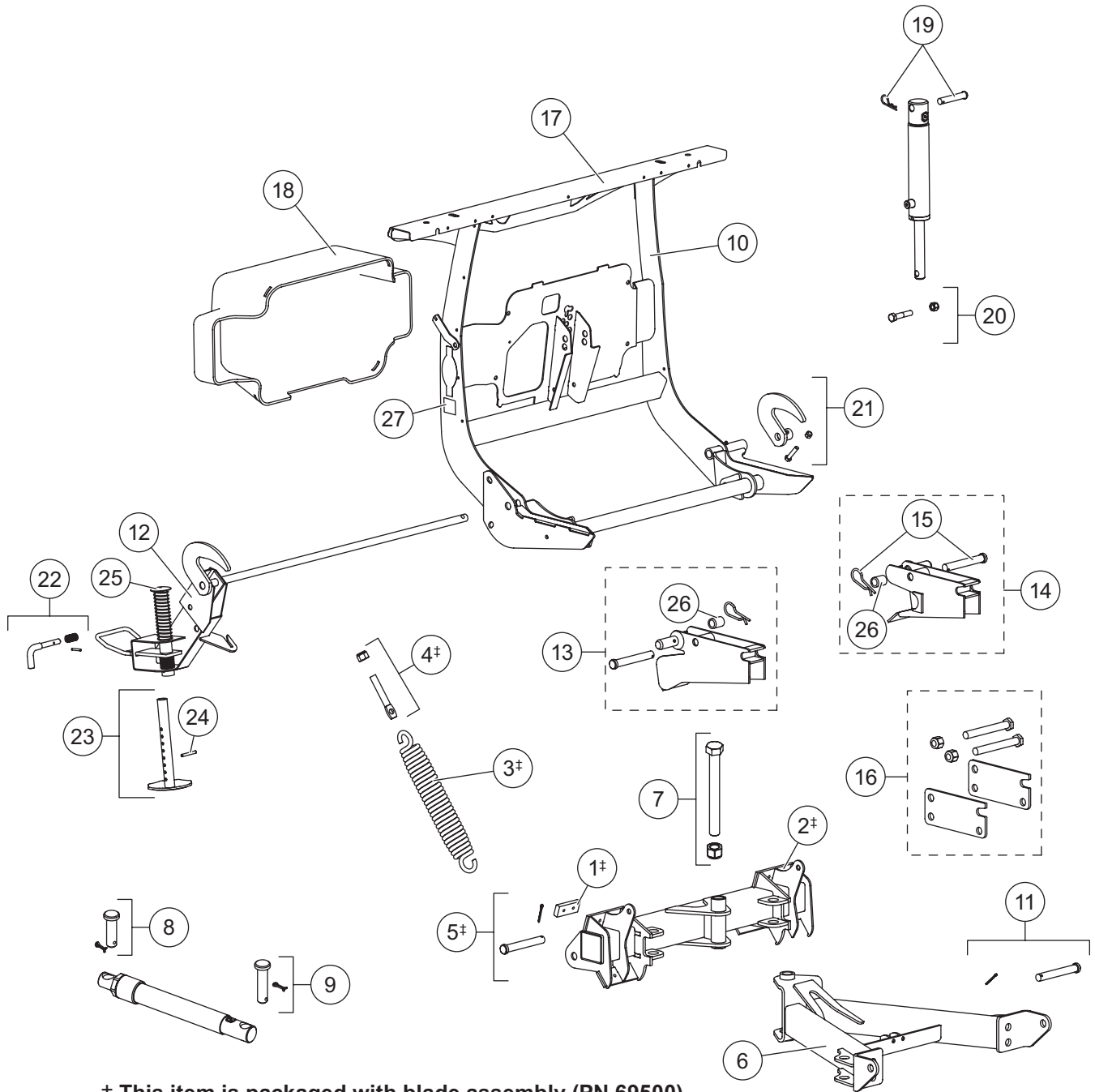
HTS™ BLADE ASSEMBLY 69500

69500 Blade Components							
Item	Part	Qty	Description	Item	Part	Qty	Description
1	5572	10	5/8-11 x 2 Carriage Bolt G5	12	69505	1	5/16 x 6" x 90" Cutting Edge (w/o hardware)
2	28404	1	Label, Identity – ULTRAFINISH™	ns	69499	1	Cutting Edge Assembly (w/hardware)
3	44451	1	Label, Identity – WESTERN® 8.31	13*	69570	1	Shoe Kit
4	49067	2	Disc Shoe Assembly	14	69661	1	Label – Attach/Detach Instructions
5	59700	1	Blade Guide & Flag Assembly Kit, 24"	15	91192	52	Round Flat Washer, Special
6	59900	1	Label – Warning/Caution, Snowplows	16	91337	10	5/8-11 Hex Locknut GB
7	60045	2	Spacer	17	93010K	2	7/16 x 1-3/4 Linchpin
8	69425	1	Cutting Edge Bolt Bag	18	94859	1	Label, Identity – HTS
9	69455	2	Shoe Bracket	19*	62123-1	1	Rubber Deflector Kit, 7-1/2'
10	69489	1	Label, Identity – WESTERN Moldboard	20*	64758	1	Back Drag Edge, 7-1/2'
11	69490	1	7-1/2' Blade				
Item 4				49067 Disc Shoe Assembly			
15	91192	26	Round Flat Washer, Special	17	93010K	1	Disc Shoe
7	60045	1	Spacer				
Item 5				59700 Blade Guide & Flag Assembly Kit, 24"			
	59691	2	Blade Guide Rod 24"		59946	2	Clamp
	59696	2	S-Hook		68494	4	5/16-18 x 1 Hex Cap Screw G5
	59694K	2	Blade Guide Flag		91332	4	5/16-18 Hex Locknut GB
Item 8				69425 Cutting Edge Bolt Bag			
1		10	5/8-11 x 2 Carriage Bolt G5	16		10	5/8-11 Hex Locknut GB
Item 13*				69570 Shoe Kit*			
4	49067	2	Disc Shoe Assembly	9	69455	2	Shoe Bracket
ns = not shown				G = Grade			

* Accessory only

HTS™ CENTER ASSEMBLY 69525

Lift Frame and A-Frame Components



‡ This item is packaged with blade assembly (PN 69500).

HTS™ CENTER ASSEMBLY 69525

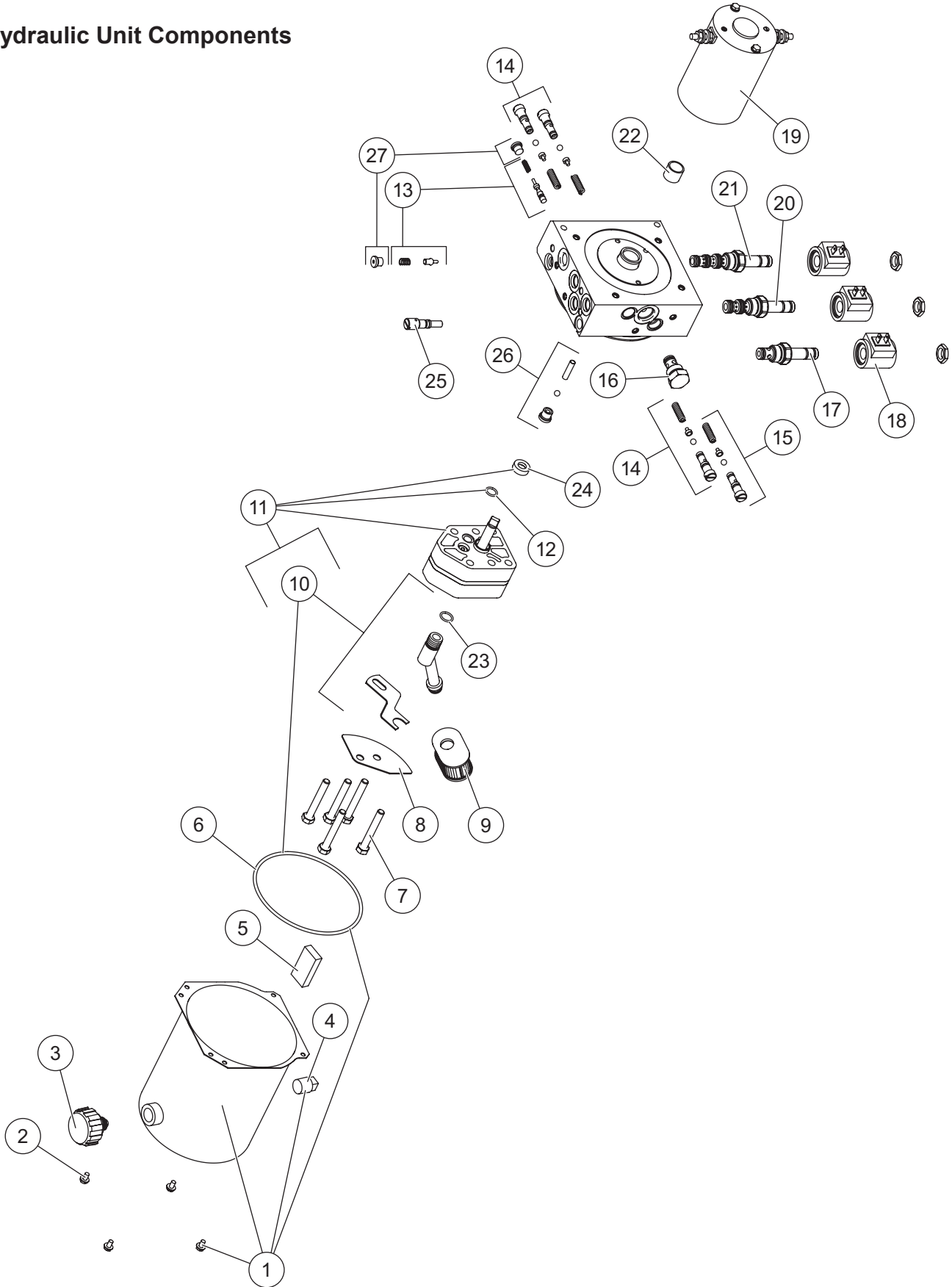
HTS Lift Frame and A-Frame Components							
Item	Part	Qty	Description	Item	Part	Qty	Description
1‡	63976	1	Kit, Bumper	15	69663	2	Receiver Retaining Pin Kit
2‡	69515	1	Quadrant Assembly, HTS	16	69620	1	Height Adjustment Plates Kit (per side)
3‡	23039	2	Trip Spring	17	69509	1	Light Bar
4‡	66421	2	5/8-11 x 4 Eyebolt Kit	18	69512	1	Hydraulic Cover
5‡	69659	2	3/4 x 6 Clevis Pin Kit	19	50653	1	Lift Ram Pin Kit (Base)
6	69523	1	A-Frame	20	69514	1	Lift Ram Pin Kit (Rod)
7	69494	1	Pivot Bolt Kit	21	69508	1	Hook w/Hardware – PS
8	63973	2	Ram Pin Kit	22	67844	1	Stand Lock Pin Kit
9	69496	2	Ram Pin Kit	23	67847	1	Stand Shoe Kit
10	69497	1	Lift Frame Kit	24	67635	1	1/4 x 2 Roll Pin BP
11	93062K	2	Clevis Pin Kit	25	48523	1	Stand Plunger Assembly
12	69498	1	Stand Assembly	26	63212	1	Spacer
13	69611	1	Receiver Kit – DS	27	69689	1	Label – SECURITY GUARD™
14	69610	1	Receiver Kit – PS				

G = Grade

‡ Packaged with blade assembly (PN 69500).

HTS™ CENTER ASSEMBLY 69525

Hydraulic Unit Components



HTS™ CENTER ASSEMBLY 69525

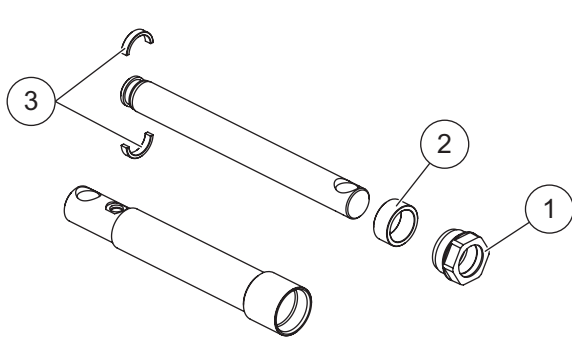
69630 Hydraulic Unit (incl. electrical components on page 11)							
Item	Part	Qty	Description	Item	Part	Qty	Description
1	48538	1	Reservoir Kit	14	49138K-4	1-1/2	Relief Valve Kit (2 sets)
2	66607	4	10-24 x 5/16 Machine Screw Slotted Hex Washer Head	15	27792-1	1	Relief Valve Repair Kit
3	21727-2K	1	Breather 3/8 NPT Kit	16	44334-1	1	Check Valve CV08-20
4	92079	1	Plug, Square 3/8 NPTF	17	49227K-2	1	Valve, 2-Way w/Nut
5	73897	1	Magnet	18	49230K-2	3	Coil w/Spade Terminals
6	66519	1	O-Ring 2–250	19	48543-1	1	Motor Assembly, 3"
7	90073	5	5/16-18 x 2-1/4 Hex Cap Screw G5	20	66608-1	1	Valve, 3-Way w/Nut
8	48464	1	Plate Baffle	21	49229K-1	1	Valve, 4-Way w/Nut
9	56789-4	1	Suction Filter	22	56364*	1	Bearing, Sleeve
10	66763-1	1	Inlet Fitting/Filter Kit	23	56416	1	O-Ring –014
11	21501-1	1	Hydraulic Pump Kit	24	66515**	1	Pump Shaft Seal
12	56274	1	O-Ring –013	25	48517	1	Quill
13	49226K	1	Poppet Check Valve Kit	26	48518	1	Check Valve Assembly
				27	92960	2	Plug, Hex Socket –3M ORB
O-Ring Service Kits							
ns	56657-4	–	O-Ring & Back-Up Ring Kit	ns	49259-2	–	Seal Kit, 3-Way and 4-Way Valve
ns	49258-2	–	Seal Kit, 2-Way Valve				
ns = not shown				G = Grade			

* Use 64589 tool to install (includes 56364).

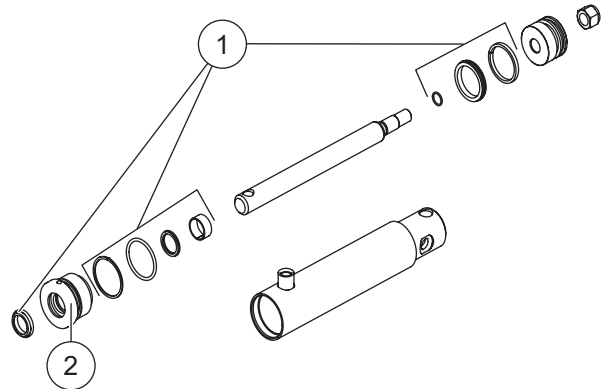
** Use 28856 tool to install (includes 66515).

HTS™ CENTER ASSEMBLY 69525

Lift and Angle Ram Components

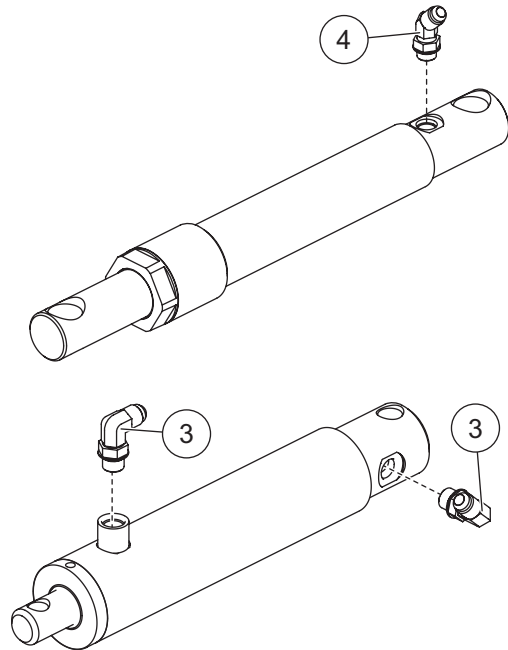
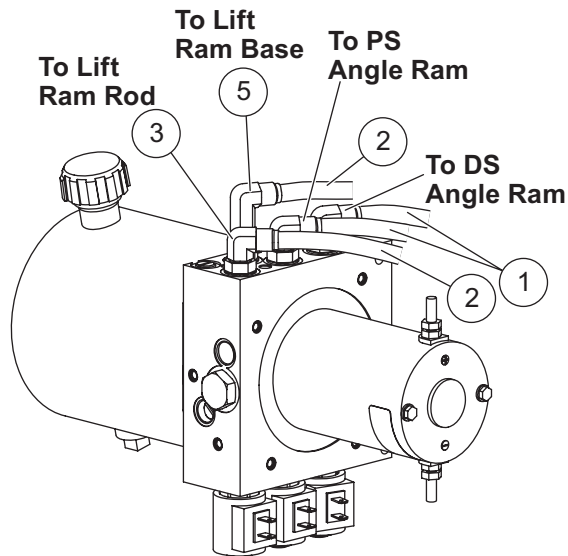


69495 Angle Ram Assembly 1-1/2 x 8			
Item	Part	Qty	Description
1	48985	1	Gland Nut Assembly 1-1/2"
2	56537	1	Spacer
3	64650	1	Split Bearing Kit



69513 Lift Ram Assembly 2 x 6-3/4 DA			
Item	Part	Qty	Description
1	48520	1	Seal Kit 2 x 6-3/4 DA
2	48451	1	Gland 1"

Hoses and Fittings

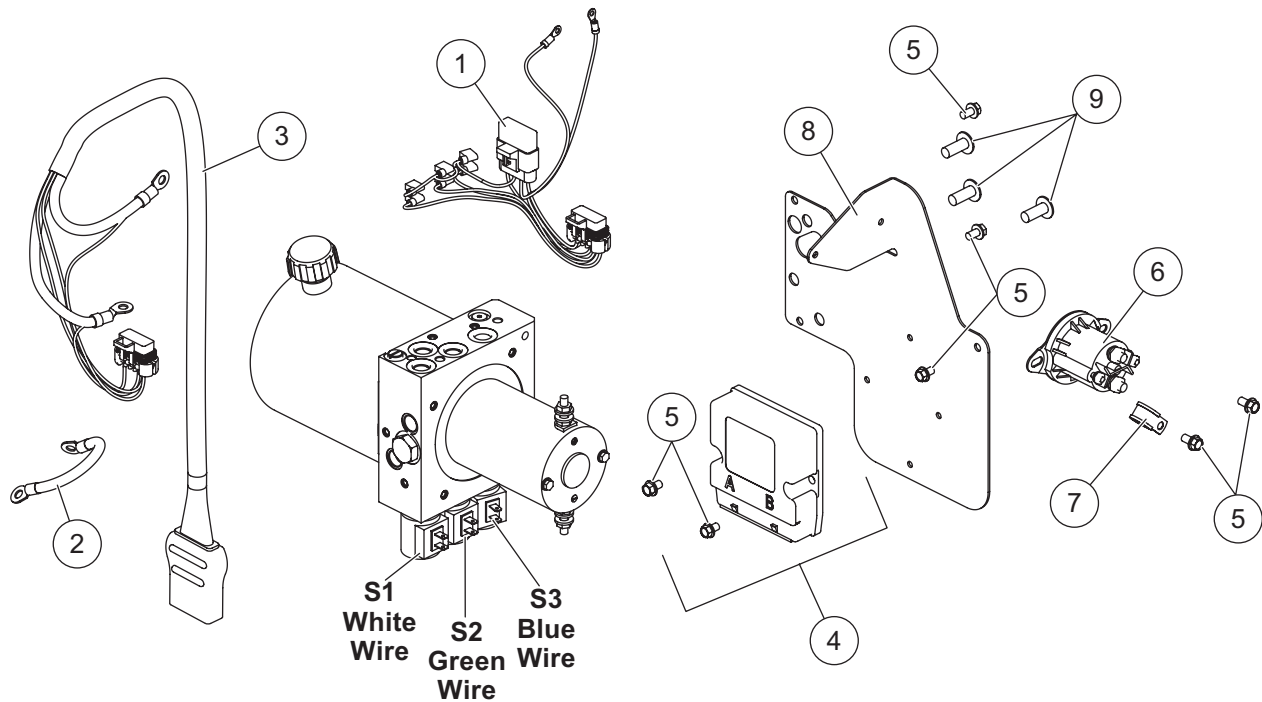


Hoses and Fittings							
Item	Part	Qty	Description	Item	Part	Qty	Description
1	48519	2	Hose, 1/4 x 32 w/F JIC Ends	5	64212-1	1	Elbow, Extra Long 90° -6 M JIC/ -6 M ORB
2	56830	2	Hose, 1/4 x 22 w/FJIC Ends	ns	56823	1	Hose Wrap
3	56615-1	5	Elbow, 90° -6 M JIC/-6 M ORB				
4	26694	2	Elbow, 45° -6 M JIC/-6 M ORB				

F = Female M = Male or Metric ns = not shown

HTS™ CENTER ASSEMBLY 69525

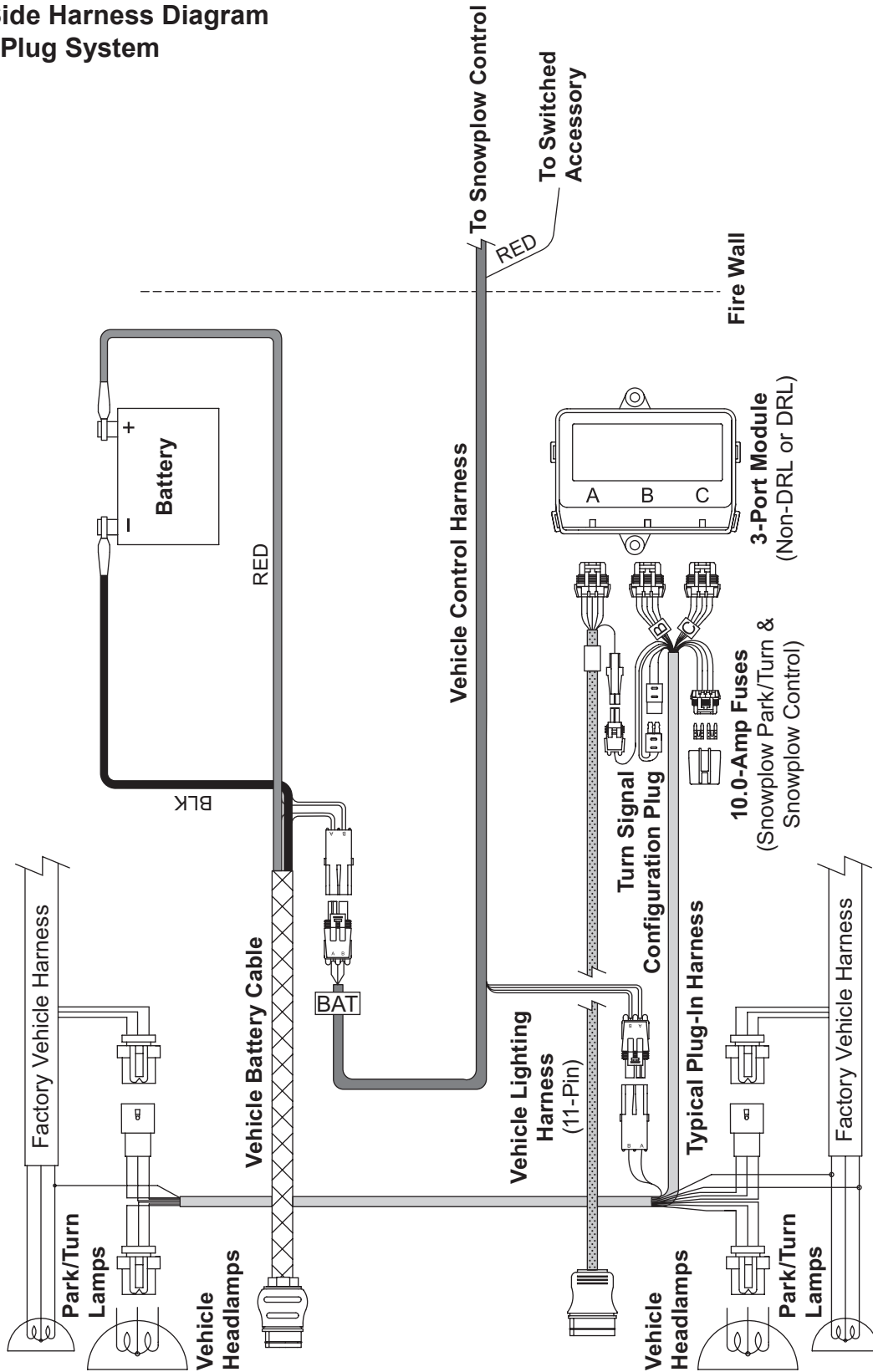
Electrical Components



Plow-Side Electrical Components							
Item	Part	Qty	Description	Item	Part	Qty	Description
1	28581-1	1	Harness Plow Control, 3-Solenoid	6	42902	1	Motor Relay Kit FLEET FLEX
2	29071	1	Cable Assembly 8"	7	65340	1	Clamp Loop #10
3	42015	1	Snowplow Battery Cable	8	48522	1	Hydraulic Plate
4	49567	1	Plow Module, 2-Port	9	98043	3	3/8-16 x 1 Button Cap Screw
5	43988	7	1/4-20 x 3/8 Hex Washer-Head Thread-Rolling Screw				
Vehicle-Side Electrical Components							
*	42014	1	Vehicle Battery Cable	ns	61548K	2	Plug Cover Kit
*	28587	1	Vehicle Control Harness				
ns = not shown							

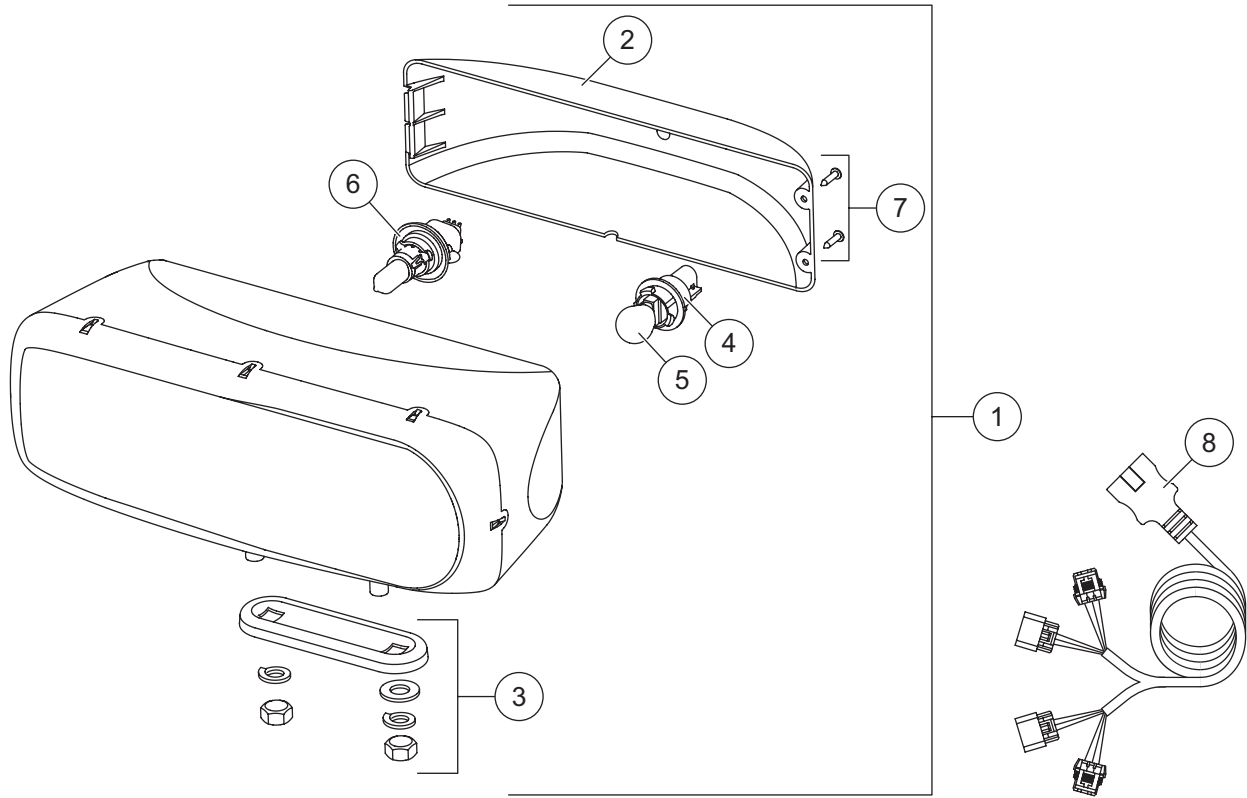
* For diagram see Vehicle-Side Harness Diagram

Vehicle-Side Harness Diagram
3-Port, 2-Plug System



HTS™ CENTER ASSEMBLY 69525

Headlamp Kit



28800-1 Headlamp Kit (pair)							
Item	Part	Qty	Description	Item	Part	Qty	Description
1	28801-1	1	Headlamp Service Kit – DS	5	28805	2	Park/Turn Bulb (trade no. 4157NAK)
ns	28802-1	1	Headlamp Service Kit – PS	6	28806	2	H13 Headlamp Bulb Service Kit
2	28803-1	2	Rear Cover Kit (fits 2- or 3-screw)	7	28808-1	2	Cover Screws Service Kit (pkg of 3)
3	28804	2	Mounting Hardware Kit	8	28213W	1	Harness Service Kit
4	28805	2	Park/Turn Socket Service Kit				

ns = not shown



Western Products
PO Box 245038
Milwaukee, WI 53224-9538
www.westernplows.com

 **A DIVISION OF DOUGLAS DYNAMICS, LLC**

Copyright © 2014 Douglas Dynamics, LLC. All rights reserved. This material may not be reproduced or copied, in whole or in part, in any printed, mechanical, electronic, film or other distribution and storage media, without the written consent of Western Products. Authorization to photocopy items for internal or personal use by Western Products outlets or snowplow owner is granted.

Western Products reserves the right under its product improvement policy to change construction or design details and furnish equipment when so altered without reference to illustrations or specifications used. Western Products or the vehicle manufacturer may require or recommend optional equipment for snow removal. Do not exceed vehicle ratings with a snowplow. Western Products offers a limited warranty for all snowplows and accessories. See separately printed page for this important information. The following are registered (®) or unregistered (™) trademarks of Douglas Dynamics, LLC: HTS™, SECURITY GUARD™, ULTRAFINISH™, UltraMount®, WESTERN®.

Printed in U.S.A.