

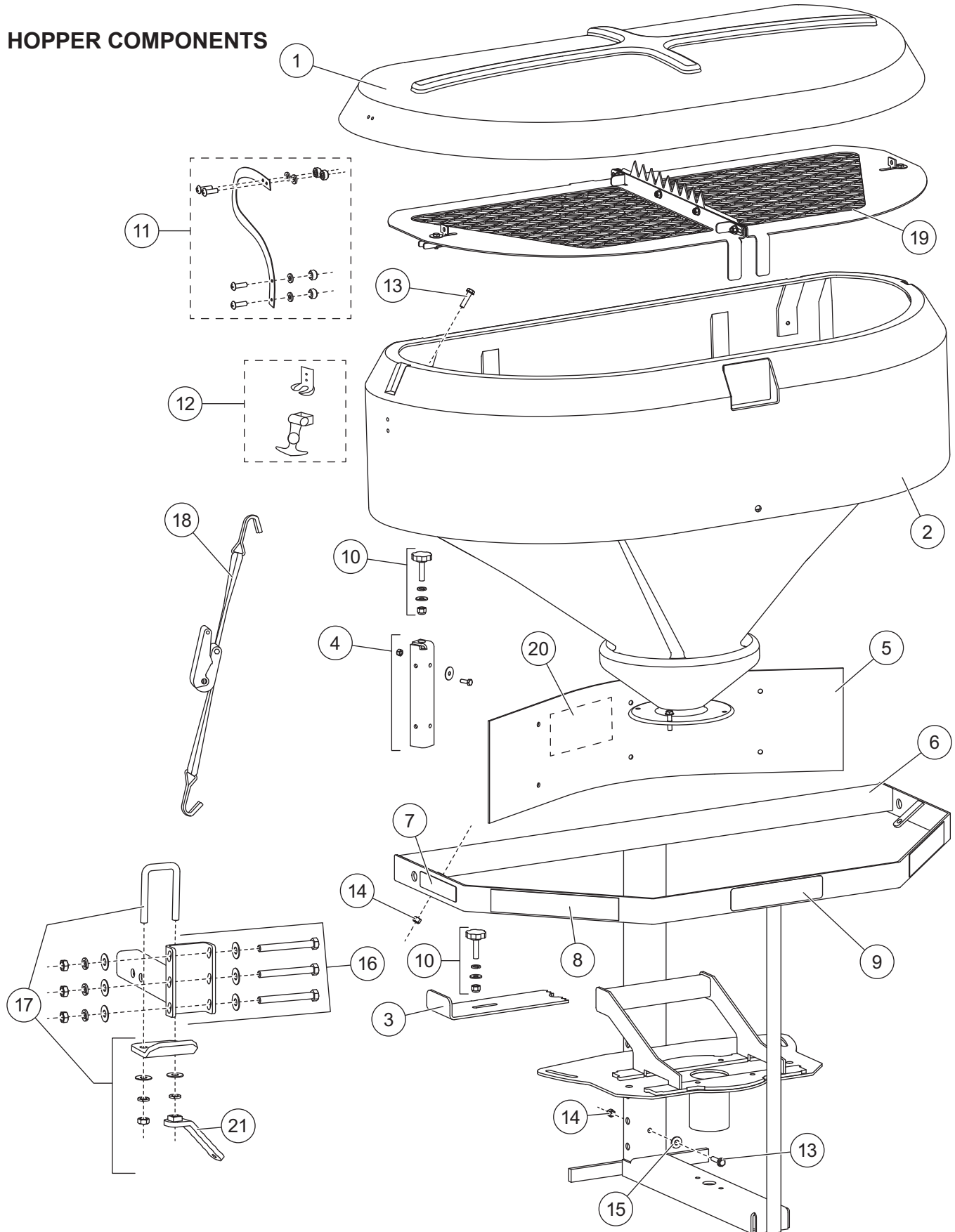


96051-2
Hopper and Drive Components
Model 2500
Low-Profile Tailgate Spreader
Parts List

This Parts List is for WESTERN® Model 2500 Low-Profile Tailgate Spreaders
with serial numbers beginning with 110816 and higher.

MODEL 2500 LOW-PROFILE TAILGATE SPREADER

HOPPER COMPONENTS



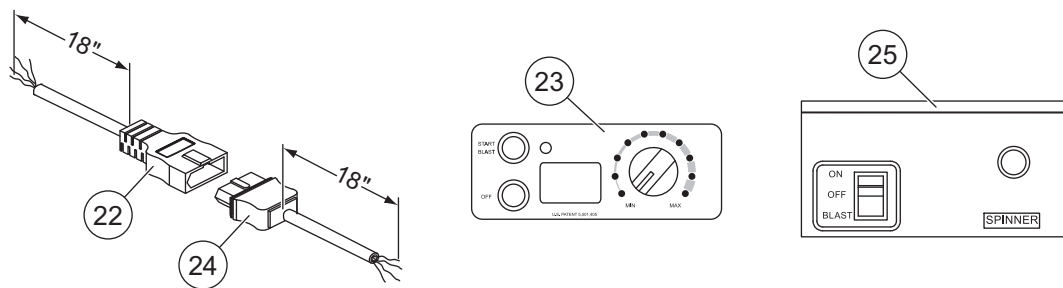
MODEL 2500 LOW-PROFILE TAILGATE SPREADER

Hopper Components							
Item	Part	Qty	Description	Item	Part	Qty	Description
1	96059	1	Hopper Lid (no hardware)	11	94534	2	Nylon Strap Kit
ns	96142	1	Lid Kit (incl. straps and hardware)	12	P3045	2	Lid Latch Kit
2	96144	1	Hopper Assembly, Red	13	96166	8	5/16-18 x 1-1/4 Flange Hex Cap Screw SS
3	96419	2	Gate	14	91350	8	5/16-18 Hex Locknut GB SS
4	96422	2	Deflector Adjuster Kit	15	90980	2	5/16 Flat Washer Narrow SS
5	96421	1	Deflector	16	95318-1	1	Hitch Insert w/Hardware
6	96420	1	Spreader Frame	17	48852	1	Receiver Clamp Kit
7	94426	2	Label – Warning, Receiver Hitch	18	68789	2	Ratchet Strap Assembly
8	68584	2	Label – Warning/Caution, Spreaders	19†	48797	1	Top Screen Bag Splitter Kit
9	96140	1	Label – Identity, Model 2500	20	11100	1	Label – Warning, Rear Camera
10	48859	4	Control Knob Kit	ns	76068	1	Label – "UP" Tailgate Spreader Hitch
Item 4 96422 Deflector Adjuster Kit							
		1	Deflector Bracket			2	1/4-20 x 3/4 Hex Cap Screw SS
		2	1/4 Flat Washer SS			2	1/4-20 Hex Locknut GB SS
Item 16 95318-1 Hitch Insert w/Hardware							
		1	Hitch Insert			3	1/2 Lock Washer Spring SS
		3	1/2-13 x 4-1/2 Hex Cap Screw G5			3	1/2-13 Hex Nut SS
		6	1/2 Flat Washer Wide SS				
Item 17 48852 Receiver Clamp Kit							
		1	Clamp Plate			2	1/2 Lock Washer Spring SS
		1	1/2-13 U-Bolt SS			1	1/2-13 Hex Nut SS
		2	1/2 Flat Washer Wide SS	21	96263	1	1/2-13 Nut Handle

ns = not shown SS = Stainless Steel G = Grade

† = Accessory Only

HOPPER ELECTRICAL COMPONENTS

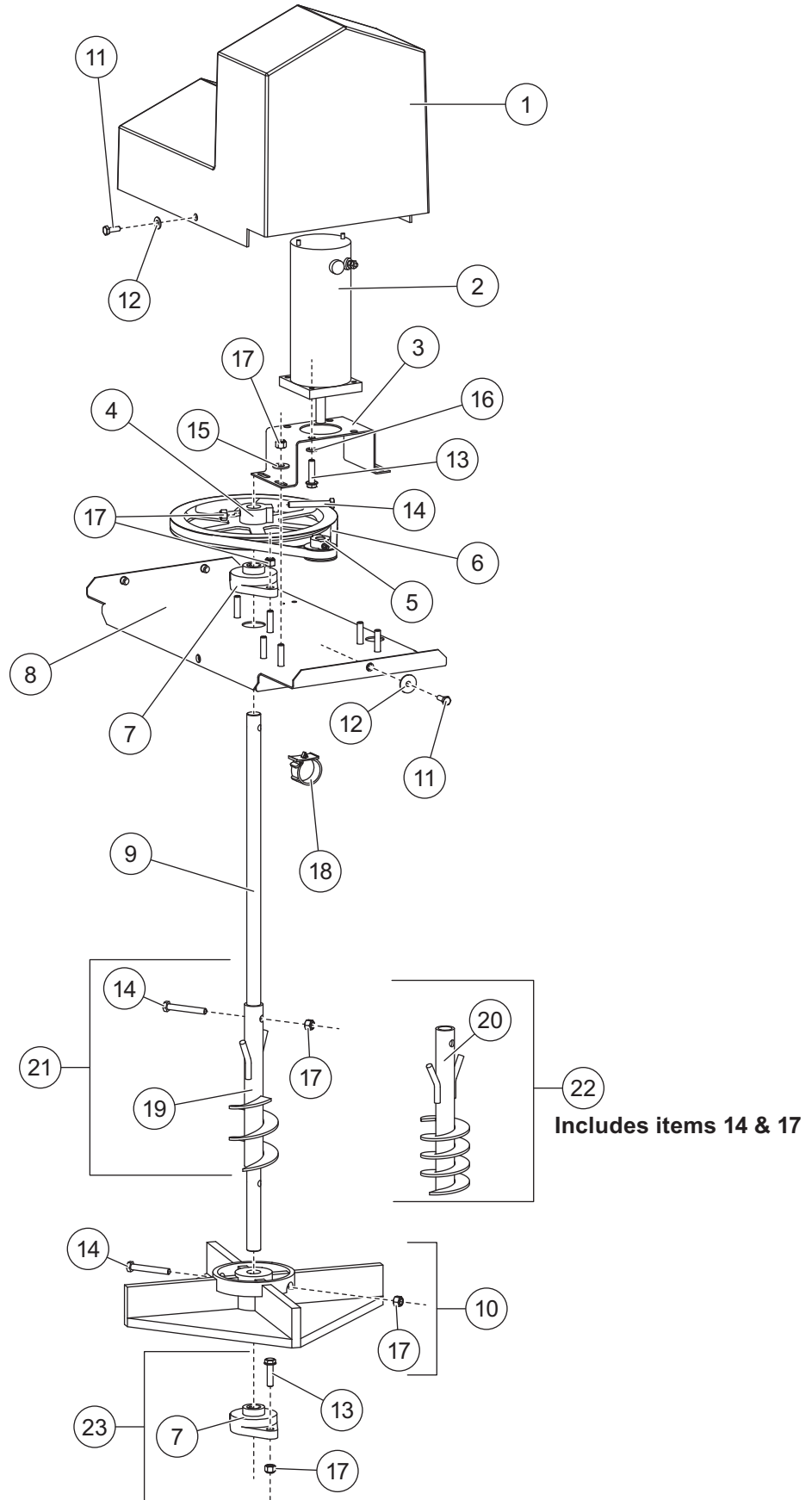


Hopper Electrical Components							
Item	Part	Qty	Description	Item	Part	Qty	Description
ns	63634	1	Harness, Spreader – 4-pin	ns	63633	1	Harness, Vehicle – 4-pin
22	63693	1	Harness, Spreader End Kit (use w/3- or 4-pin connectors)	24	63692	1	Harness, Vehicle End Kit (use w/3- or 4-pin connectors)
23	28866	1	Variable Speed (PWM) Control	25	67070	1	ON/OFF Control

ns = not shown

MODEL 2500 LOW-PROFILE TAILGATE SPREADER

DRIVE COMPONENTS



MODEL 2500 LOW-PROFILE TAILGATE SPREADER

Drive Components							
Item	Part	Qty	Description	Item	Part	Qty	Description
1	96099	1	Motor Cover	14	94495	3	5/16-18 x 2-1/4 Hex Cap Screw SS
2	65416	1	12V DC Motor	15	90980	12	5/16 Flat Washer Narrow SS
3	96097	1	Motor Pedestal	16	91276	4	5/16 Spring Lock Washer SS
4	65406	1	Pulley, 9 x 3/4 Bore	17	91350	11	5/16-18 Hex Locknut GB SS
5	65405	1	Pulley, 1-1/2 x 1/2 Bore	18	96216	1	Push Mount Wire Clip
6	65767	1	V-Belt 4L330 Molded Cog	19	96416	1	Auger, 3-Flight (standard – for coarse material)
7	96167	2	3/4 2-Bolt Flange Bearing	20	96417	1	Auger, 5-Flight (optional – for fine material)
8	96169-1	1	Motor Base Plate Service	21	96488	1	Auger, 3-Flight Kit
9	96418	1	Spinner Shaft	22	96489	1	Auger, 5-Flight Kit
10	94595	1	Spinner, Poly – Service Kit	23	96490	1	Bearing Kit
11	90381	5	1/4-20 x 3/4 Hex Cap Screw SS				
12	91013	5	1/4 Flat Washer Narrow SS				
13	96166	6	5/16-18 x 1-1/4 Flange Hex Cap Screw SS				
Item 10				94595 Spinner, Poly – Service Kit			
		1	Spinner, Poly	17		1	5/16-18 Hex Locknut GB SS
14		1	5/16-18 x 2-1/4 Hex Cap Screw SS				
Item 21				96488 Auger, 3-Flight Kit			
14		1	5/16-18 x 2-1/4 Hex Cap Screw SS	19		1	Auger, 3-Flight (standard – for coarse material)
17		1	5/16-18 Hex Locknut GB SS				
Item 22				96489 Auger, 5-Flight Kit			
14		1	5/16-18 x 2-1/4 Hex Cap Screw SS	20		1	Auger, 5-Flight (optional – for fine material)
17		1	5/16-18 Hex Locknut GB SS				
Item 23				96490 Bearing Kit			
7		1	3/4 2-Bolt Flange Bearing	17		2	5/16-18 Hex Locknut GB SS
13		2	5/16-18 x 1-1/4 Flange Hex Cap Screw SS				
SS = Stainless Steel				G = Grade			

MODEL 2500 LOW-PROFILE TAILGATE SPREADER



Western Products
PO Box 245038
Milwaukee, WI 53224-9538
www.westernplows.com

 A DIVISION OF DOUGLAS DYNAMICS, LLC

Copyright © 2018 Douglas Dynamics, LLC. All rights reserved. This material may not be reproduced or copied, in whole or in part, in any printed, mechanical, electronic, film, or other distribution and storage media, without the written consent of Western Products. Authorization to photocopy items for internal or personal use by Western Products outlets or spreader owner is granted.

Western Products reserves the right under its product improvement policy to change construction or design details and furnish equipment when so altered without reference to illustrations or specifications used. Western Products or the vehicle manufacturer may require or recommend optional equipment for spreaders. Do not exceed vehicle ratings with a spreader. Western Products offers a limited warranty for all spreaders and accessories. See separately printed page for this important information. The following is a registered (®) trademark of Douglas Dynamics, LLC: WESTERN®.

Printed in U.S.A.