

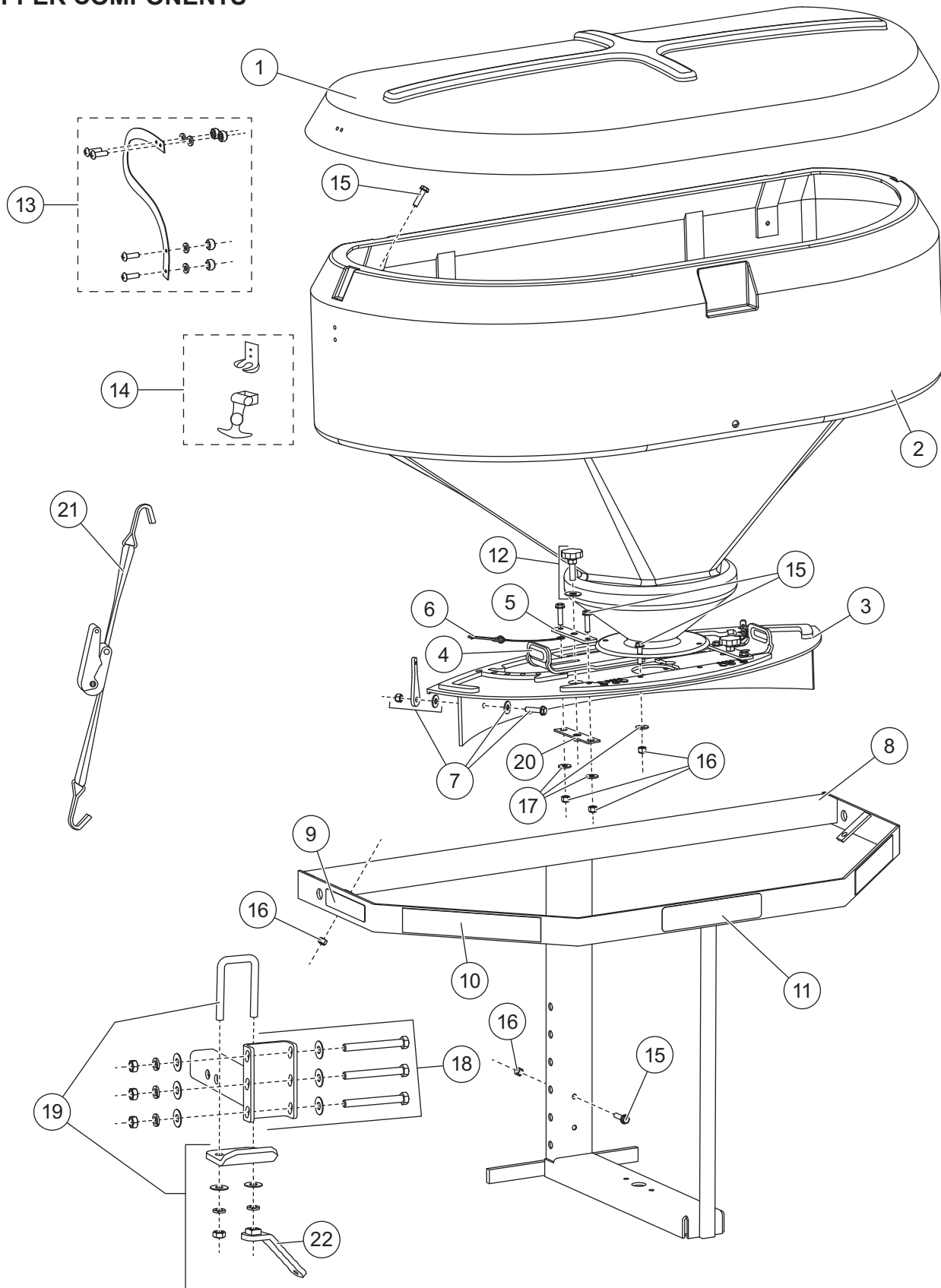


**96051-1**  
**Hopper and Drive Components**  
**Model 2500**  
**Low-Profile Tailgate Spreader**  
**Parts List**

This Parts List is for WESTERN® Model 2500 Low-Profile Tailgate Spreaders with serial numbers beginning with 101208–110817.

# MODEL 2500 LOW-PROFILE TAILGATE SPREADER

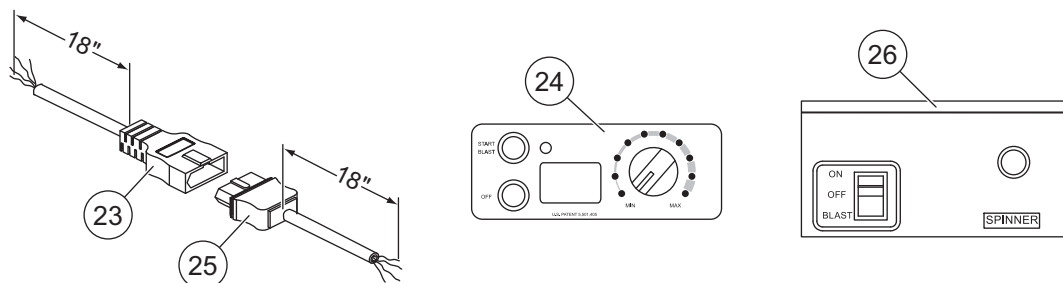
## HOPPER COMPONENTS



# MODEL 2500 LOW-PROFILE TAILGATE SPREADER

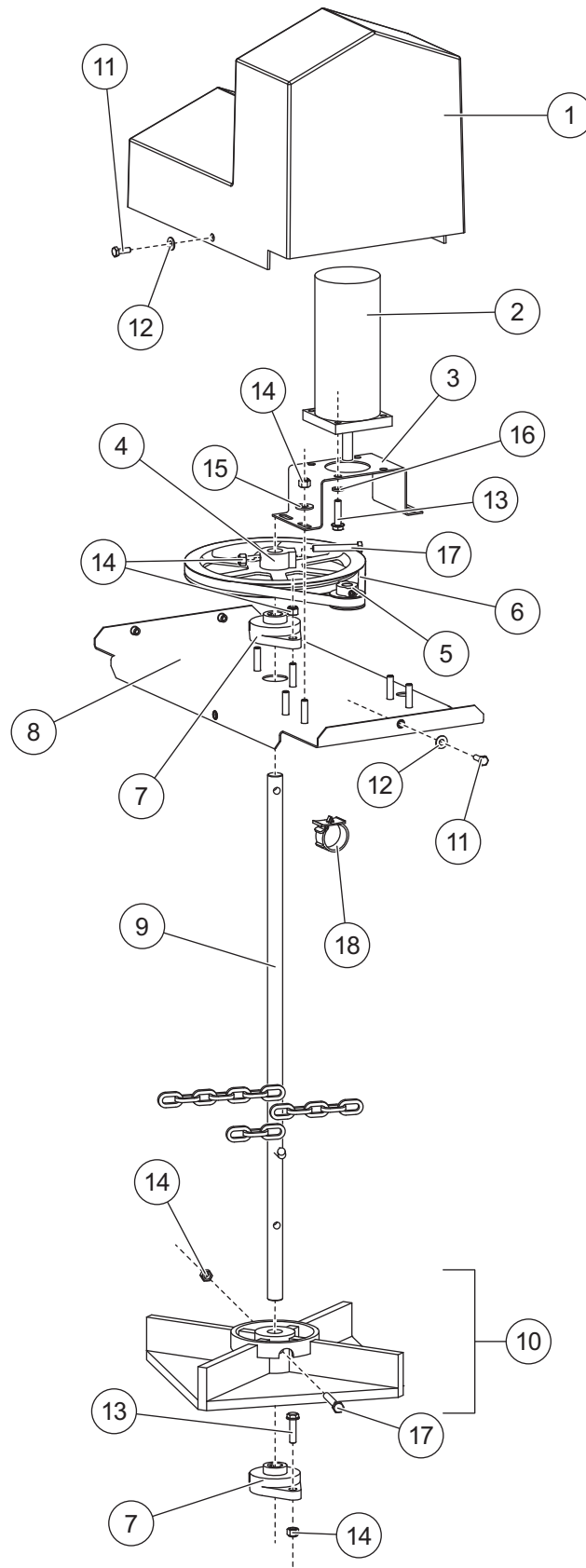
Hopper Components							
Item	Part	Qty	Description	Item	Part	Qty	Description
1	96059	1	Hopper Lid (No Hardware)	12	48859	2	Control Knob Kit
ns	96142	1	Lid Kit (Includes Straps & Hardware)	13	94534	2	Nylon Strap Kit
2	96144	1	Hopper Assembly, Red	14	P3045	2	Lid Latch Kit
3	48854	1	Bottom Plate Model 2500	15	96166	12	5/16-18 x 1-1/4 Flange Hex Cap Screw SS
4	48855	2	Gate	16	91350	12	5/16-18 Hex Locknut GB SS
5	48856	2	Control Strap Poly	17	90980	12	5/16 Flat Washer Narrow SS
6	48861	2	Lanyard w/Safety Pin	18	95318-1	1	Hitch Insert w/Hardware
7	48872	2	Deflector Pin Kit	19	48852	1	Receiver Clamp Kit
8	96053	1	Spreader Frame	20	48857	2	Weldnut Strap
9	94426	2	Label, Information – Receiver Hitch	21	68789	2	Ratchet Strap Assy
10	68584	2	Label, Information (Warning)	ns	76068	1	Label, "UP" Tailgate Spreader Hitch
11	96140	1	Label, Identity Model 2500	ns†	48797	1	Top Screen Bag Splitter Kit
<b>Item 7 48872 Deflector Pin Kit</b>							
		1	Deflector Pin			1	5/16-18 x 1-1/4 Flange Hex Cap Screw SS
		2	5/16 Flat Washer Narrow SS			1	5/16-18 Hex Locknut GB SS
<b>Item 18 95318-1 Hitch Insert w/Hardware</b>							
		1	Hitch Insert			3	1/2" Lock Washer Spring SS
		3	1/2-13 x 4-1/2 Hex Cap Screw G5			3	1/2-13 Hex Nut SS
		6	1/2" Flat Washer Wide SS				
<b>Item 19 48852 Receiver Clamp Kit</b>							
		1	Clamp Plate			2	1/2" Lock Washer Spring SS
		1	1/2-13 U-Bolt SS			1	1/2-13 Hex Nut SS
		2	1/2" Flat Washer Wide SS	22	96263	1	1/2-13 Nut Handle
ns = not shown		SS = Stainless Steel		G = Grade		† = Accessory Only	

Hopper Electrical Components							
Item	Part	Qty	Description	Item	Part	Qty	Description
ns	63634	1	Harness, Spreader – 4-pin	ns	63633	1	Harness, Vehicle – 4-pin
23	63693	1	Harness, Spreader End Kit (use w/3- or 4-Pin Connectors)	25	63692	1	Harness, Vehicle End Kit (use w/3- or 4-Pin Connectors)
24	28866	1	Variable Speed (PWM) Control	26	67070	1	ON/OFF Control
ns = not shown							



# MODEL 2500 LOW-PROFILE TAILGATE SPREADER

## DRIVE COMPONENTS



## MODEL 2500 LOW-PROFILE TAILGATE SPREADER

Drive Components							
Item	Part	Qty	Description	Item	Part	Qty	Description
1	96099	1	Motor Cover	10	94595	1	Spinner, Poly – Service Kit
2	65416	1	12V DC Motor	11	90381	5	1/4-20 x 3/4 Hex Cap Screw SS
3	96097	1	Motor Pedestal	12	91013	5	1/4 Flat Washer Narrow SS
4	65406	1	Pulley, 9 x 3/4 Bore	13	96166	6	5/16-18 x 1-1/4 Flange Hex Cap Screw SS
5	65405	1	Pulley, 1-1/2 x 1/2 Bore	14	91350	10	5/16-18 Hex Locknut GB
6	65767	1	V-Belt 4L330 Molded Cog	15	90980	12	5/16 Flat Washer Narrow SS
7	96167	2	3/4 2-Bolt Flange Bearing	16	91276	4	5/16 Spring Lock Washer SS
8	96169	1	Motor Base Plate Service	17	94495	2	5/16-18 x 2-1/4 Hex Cap Screw SS
9	96080	1	Spinner Shaft	18	96216	1	Push Mount Wire Clip
SS = Stainless Steel				G = Grade			

# MODEL 2500 LOW-PROFILE TAILGATE SPREADER

---

Copyright © 2011 Douglas Dynamics, L.L.C. All rights reserved. This material may not be reproduced or copied, in whole or in part, in any printed, mechanical, electronic, film or other distribution and storage media, without the written consent of Western Products. Authorization to photocopy items for internal or personal use by Western Products outlets or spreader owner is granted.

Western Products reserves the right under its product improvement policy to change construction or design details and furnish equipment when so altered without reference to illustrations or specifications used. Western Products or the vehicle manufacturer may require or recommend optional equipment for spreaders. Do not exceed vehicle ratings with a spreader. Western Products offers a limited warranty for all spreaders and accessories. See separately printed page for this important information. The following is a registered (®) trademark of Douglas Dynamics, L.L.C.: WESTERN®.

**Printed in U.S.A.**

---