



**Fisher Engineering**

**78001-1, 78004-1, 78007-1**

50 Gordon Drive, Rockland, Maine 04841-2139 • [www.fisherplows.com](http://www.fisherplows.com)

May 1, 2019

Lit. No. 99754, Rev. 07

**POLYCASTER™**

**FLEETFLEX**  
ELECTRICAL SYSTEM

# Hopper and Drive Components

## POLY-CASTER™ Hopper Spreader

### Parts List

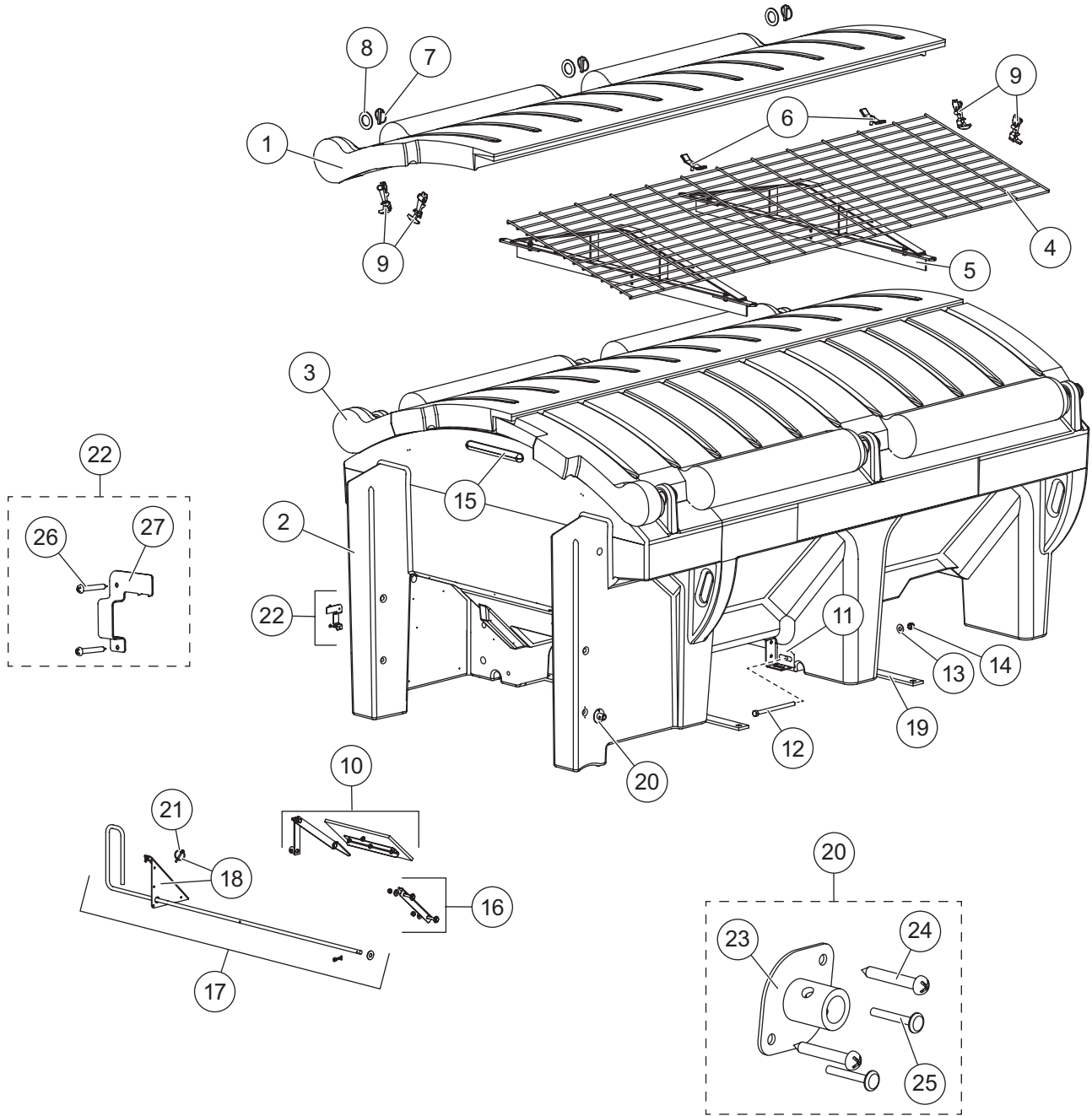


This Parts List is for FISHER® POLY-CASTER Hopper Spreaders  
with serial numbers beginning with 160201 and higher.

**A DIVISION OF FISHER, LLC**

# POLY-CASTER™ HOPPER SPREADER

## HOPPER COMPONENTS



# POLY-CASTER™ HOPPER SPREADER

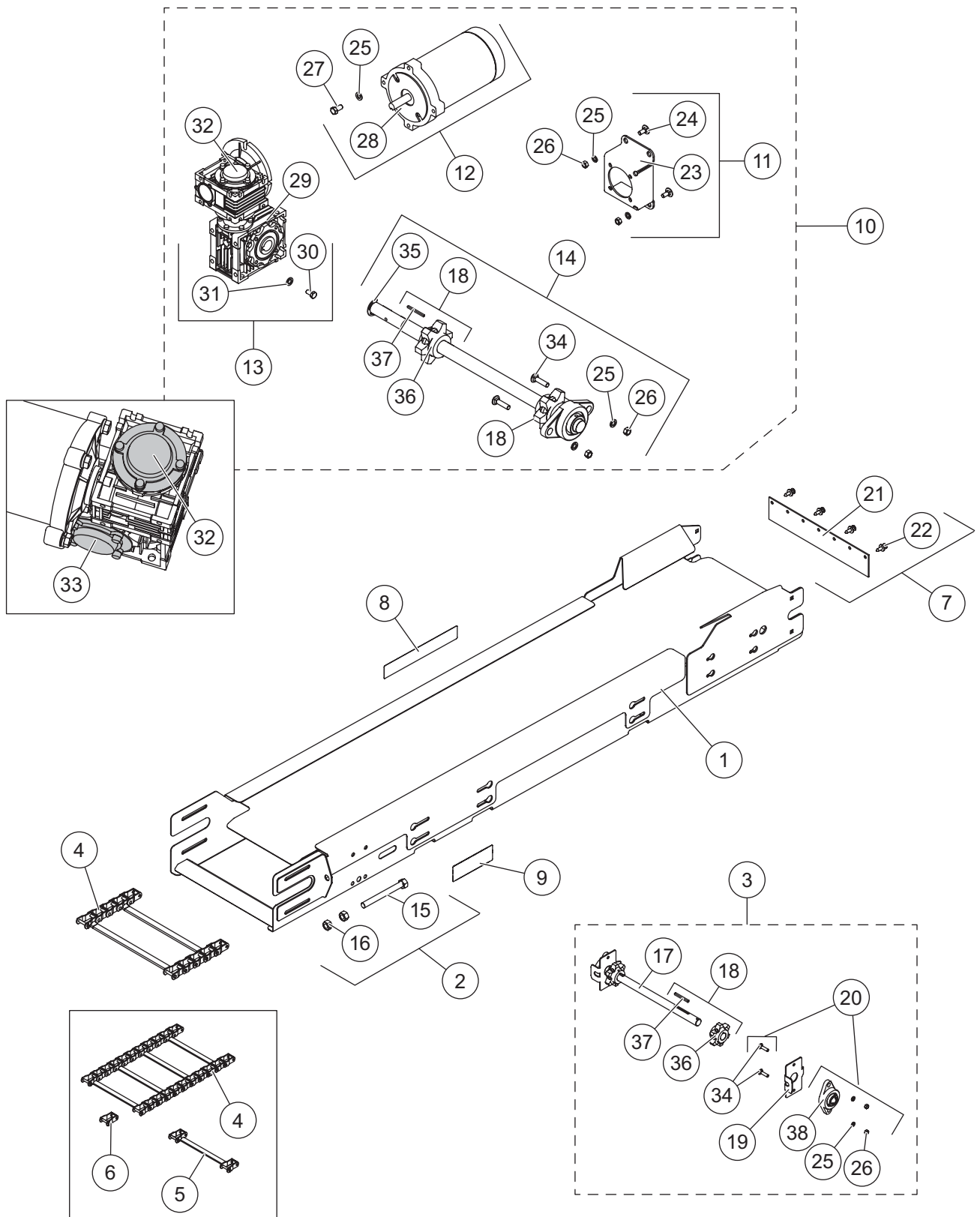
Hopper Components							
Item	Part	Qty	Description	Item	Part	Qty	Description
1	78018*	1	Poly Hopper Lid, 7' (DS)	12		4	1/2-13 x 7-1/2 Hex Cap Screw SS
	78288†	1	Poly Hopper Lid, 7' (DS)	13		4	1/2 Flat Washer SS
	78019	1	Poly Hopper Lid, 8' (DS)	14		4	1/2-13 Hex Locknut SS
ns	78020*	1	Poly Hopper Lid, 7' (PS)	ns		8	3/8-16 x 1 Carriage Bolt SS
	78290†	1	Poly Hopper Lid, 7' (PS)	ns		8	3/8 Lock Washer SS
	78021	1	Poly Hopper Lid, 8' (PS)	ns		8	3/8-16 Hex Nut SS
2	78010	1	Poly Hopper Body 7'	15	78048-1	1	CHMSL Kit (w/fasteners)
	78013	1	Poly Hopper Body 8'	16	78083	1	Feed Gate Guide w/Fasteners Kit
3	78227	1	Poly Hopper Collar 8'	17	78094	1	Feed Gate Handle Kit
4	78115	2	Top Screen, 7' (painted)	18	78098	1	Feed Gate Detent Bracket Kit
	78116	2	Top Screen, 8' (painted)	ns		4	3/8-16 x 1-1/2 Hex Cap Screw
5	78117-2	2	Top Screen Brace w/Label	19	78109	2	Mounting Bar w/Hardware
6	96038	4	Wing Bolt	ns	78242	1	Poly Hopper Collar Hardware Kit
7	93010	6	7/16 Linchpin	20	78262	2	Chute Attachment Sleeve Kit
8	78097	6	Washer 2.5 OD x 1.53 ID SS	21	93042	1	3/16 Linchpin
9	65224	4	Rubber Hold-Down Strap	22	99748	1	Chute Connector Clip Kit
ns	99775	1	Cable Boot	ns	68584	2	Label – Warning/Caution, Spreaders
10	78118	1	Feed Gate Assembly Kit	ns	11100	1	Label – Warning, Rear Camera
11	78119	3	Hopper Mounting Bracket (PS)	ns	67272		Label – Caution, Do Not Lift
ns	78133	3	Hopper Mounting Bracket (DS)				
<b>Item 10</b>				<b>78118 Feed Gate Assembly Kit, Poly Hopper</b>			
	78093	1	Feed Gate Sub Assembly		90601	1	1/4 x 1-1/2 Cotter Pin
<b>Item 16</b>				<b>78083 Feed Gate Guide w/Fasteners Kit</b>			
	94495	2	5/16-18 x 2-1/4 Hex Cap Screw SS		91350	2	5/16-18 Hex Locknut SS
	78047	1	Feed Gate Slide				
<b>Item 17</b>				<b>78094 Feed Gate Handle Kit</b>			
	78029	1	Feed Gate Actuator Shaft		14	4	1/2-13 Hex Locknut SS
	90601	2	1/4 x 1-1/2 Cotter Pin				
<b>Item 20</b>				<b>78262 Chute Attachment Sleeve Kit</b>			
	23	1	Pin Retainer		25	2	3/16 Pop Rivet Aluminum
	24	2	#10 x 1-1/2 Pan Head Phillips SS				
<b>Item 22</b>				<b>99748 Chute Connector Clip Kit</b>			
	26	2	#10 x 1-1/2 Pan Head Phillips SS	ns	99758	1	Label – Warning, Chute Connector Dump Switch
	27	1	Chute Connector Clip				
ns = not shown						SS = Stainless Steel	

\* Fits units with serial numbers beginning with 180520 and lower.

† Fits units with serial numbers beginning with 180521 and higher.

# POLY-CASTER™ HOPPER SPREADER

## DRIVE COMPONENTS

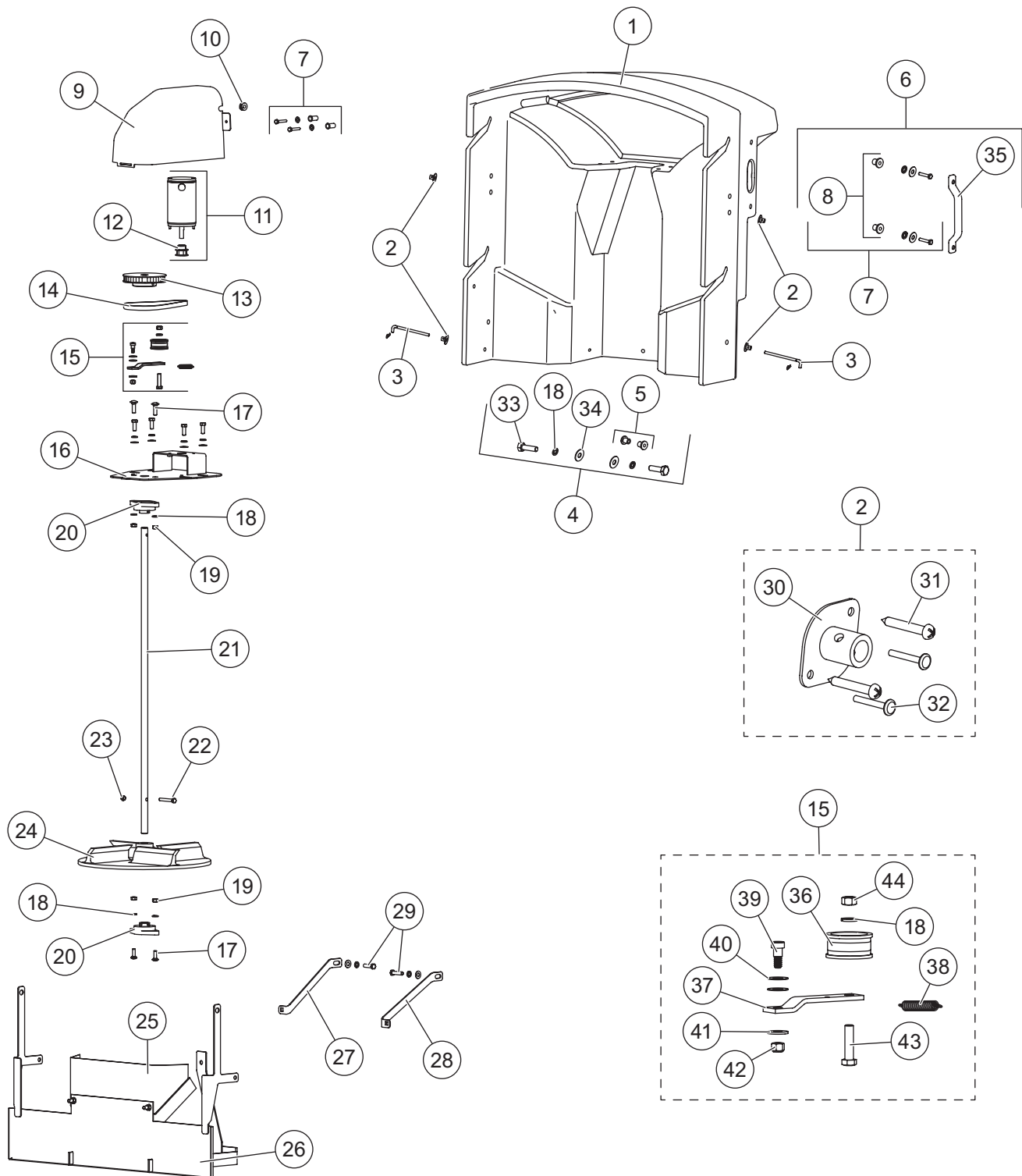


# POLY-CASTER™ HOPPER SPREADER

Drive Components							
Item	Part	Qty	Description	Item	Part	Qty	Description
1	99752	1	Sill, 7'	7	78266	1	Wiper Kit
	99753	1	Sill, 8'	8	68584	1	Label – Warning/Caution, Spreaders
2	99073	1	Tension Bolt Kit	9	11100	1	Label – Warning, Rear Camera
3	99480	1	Idler Shaft Assembly Kit	10	99091	1	Electric Conveyor Drive Kit
4	78076	1	Pintle Chain, 7' (99 link)	11	99749	1	Gear Box Mounting Plate Kit
	94898	1	Pintle Chain, 8' (108 link)	12	99085	1	Conveyor Motor Kit
5	68492	AR	Conveyor Repair Bar w/Pins & Cotters	13	99087	1	Gear Box Kit
6	68475	AR	Conveyor Repair Link w/Pins & Cotters	14	99094	1	Drive Shaft Kit
<b>Item 2</b>				<b>99073 Tension Bolt Kit</b>			
	15	1	5/8-11 x 6 Take-Up Bolt SS		16	1	5/8-11 Hex Nut SS
<b>Item 3</b>				<b>99480 Idler Shaft Assembly Kit</b>			
	17	1	Idler Shaft		19	2	Bearing Alignment Plate
	18	2	6-Tooth Sprocket		20	1	Spreader Bearing Kit
<b>Item 7</b>				<b>78266 Wiper Kit</b>			
	21	1	Wiper Belt		21	1	Rivet Kit (qty 4 PN 96014 Push-Type Retainers)
<b>Item 10</b>				<b>99091 Electric Conveyor Drive Kit</b>			
	11	1	Gear Box Mounting Plate Kit		13	1	Gear Box Kit
	12	1	Conveyor Motor Kit		14	1	Drive Shaft Kit
<b>Item 11</b>				<b>99749 Gear Box Mounting Plate Kit</b>			
	23	1	Gear Box Attachment Plate		25	4	3/8 Lock Washer SS
	24	4	3/8-16 x 1 Carriage Bolt SS		26	4	3/8-16 Hex Nut SS
<b>Item 12</b>				<b>99085 Conveyor Motor Kit</b>			
	25	2	3/8 Lock Washer SS		28	1	Motor 1/2 hp NEMA 56C
	27	4	3/8-16 x 3/4 Hex Cap Screw SS				
<b>Item 13</b>				<b>99087 Gear Box Kit</b>			
	20	1	Gear Box 10 x 20 2X Worm Gear		32	1	Gear Box Cover Kit, Primary
	30	1	M8 x 1.25 x 16 Hex Cap Screw SS		33	1	Gear Box Cover Kit, Secondary
	31	4	M8 Lock Washer SS				
<b>Item 14</b>				<b>99094 Drive Shaft Kit</b>			
	18	2	6-Tooth Sprocket		34	2	3/8-16 x 1-1/2 Carriage Bolt SS
	25		3/8 Lock Washer SS		35	1	1" Retaining Ring
	26	2	3/8-16 Hex Nut SS				
<b>Item 18</b>				<b>99479 6-Tooth Sprocket</b>			
	36	1	Drive Sprocket 6T		37	1	1/4 x 2-3/4 Machine Key
<b>Item 20</b>				<b>94953 Spreader Bearing Kit</b>			
	25	2	3/8 Lock Washer SS		34	4	3/8-16 x 1-1/2 Carriage Bolt SS
	26	2	3/8-16 Hex Nut SS		38	2	Bearing 1-1/8 ID 2-Bolt Flange
ns = not shown		M = Metric		SS = Stainless Steel		AR = As Required	

# POLY-CASTER™ HOPPER SPREADER

## CHUTE ASSEMBLY

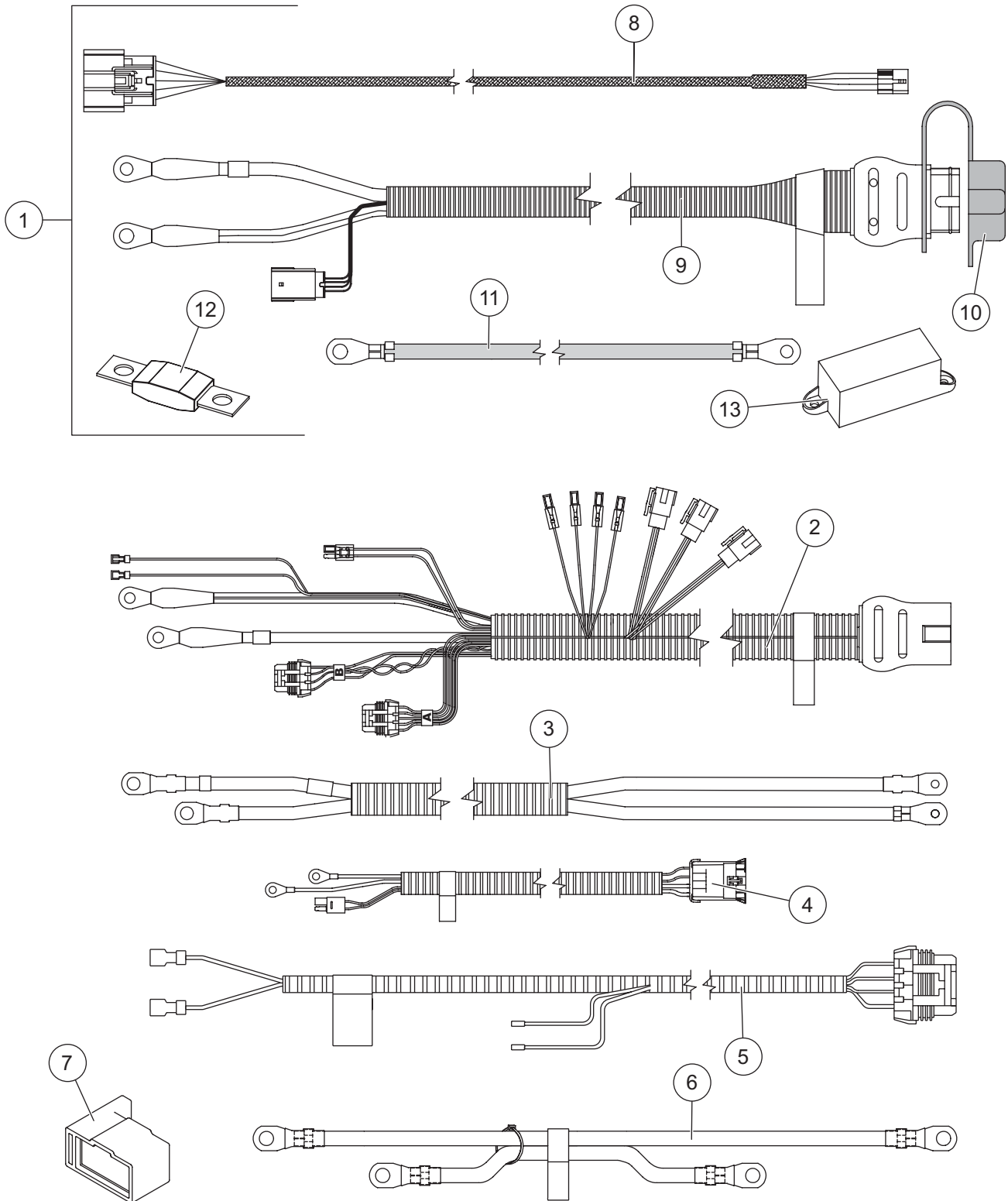


## POLY-CASTER™ HOPPER SPREADER

<b>99779 Chute Assembly</b>							
Item	Part	Qty	Description	Item	Part	Qty	Description
1	78123	1	Chute Cover	16	78297	1	Chute Motor Base Plate
2	78262	4	Chute Attachment Sleeve Kit	17		28	3/8-16 x 1 Carriage Bolt SS
3	78031	1	Chute Attachment Pin Bag (pkg of 2)	18		18	3/8 Lock Washer SS
4	78268	1	3/8 Well Nut Fastener Kit	19		7	3/8-16 Hex Nut SS
5	78267	1	3/8-16 Well Nut (pkg of 2)	20	96167	2	Pillow Block Bearing 3/4 Bore
6	78247	2	Chute Handle Kit	21	78283	1	Spinner Shaft
7	78270	1	1/4 Well Nut Fastener Kit	22		1	5/16-18 x 2-1/4 Hex Cap Screw SS
8	78269	1	1/4-20 Well Nut (pkg of 2)	23		1	5/16-18 Hex Nut SS
9	78287	1	Chute Motor Cover	24	94424	1	Spinner, Poly
10	66130	1	Grommet	25	78294	1	Deflector
11	78300	1	Motor 12V DC 1/3 hp (incl. item 12)	26	78130	1	Spinner Guard
12	93101	1	10-Tooth Cogged Belt Pulley	27	78302	1	Brace, PS
13	76796	1	40-Tooth Cogged Belt Pulley 3/4 Bore	28	78301	1	Brace, DS
14	78285	1	Gear Belt	29		5	3/8-16 x 3/4 Hex Cap Screw SS
15	78298	1	Idler Kit	ns	78199	1	CHMSL Harness Kit
<b>Item 2</b>				<b>78262 Chute Attachment Sleeve Kit</b>			
30		1	Pin Retainer	32		2	3/16 Pop Rivet Aluminum
31		2	#10 x 1-1/2 Pan Head Phillips SS				
<b>Item 4</b>				<b>78268 3/8 Well Nut Fastener Kit</b>			
5	78267	1	3/8-16 Well Nut (pkg of 2)	33		2	3/8-16 x 1-1/2 Hex Cap Screw SS
18		2	3/8 Lock Washer SS	34		2	3/8 Flat Washer Type A Wide SS
<b>Item 6</b>				<b>78247 Chute Handle Kit</b>			
7	78270	1	1/4 Well Nut Fastener Kit	35		1	Plastic Handle
<b>Item 7</b>				<b>78270 1/4 Well Nut Fastener Kit</b>			
8	78269	1	1/4-20 Well Nut (pkg of 2)			2	1/4 Lock Washer SS
		2	1/4 Flat Washer Type A Narrow SS			2	1/4-20 x 1-1/2 Hex Cap Screw SS
<b>Item 15</b>				<b>78298 Idler Kit</b>			
18		1	3/8 Lock Washer SS	40		2	3/8 Flat Washer Type A Wide SS
36		1	2" Idler Pulley	41		1	5/16 Flat Washer Type A Narrow SS
37		1	Idler Arm	42		1	5/16-18 Hex Locknut GB SS
38		1	Spring	43		1	3/8-16 x 1-3/4 Hex Cap Screw SS
39		1	3/8 x 5/16-18 Shoulder Bolt	44		1	3/8-16 Hex Nut SS
ns = not shown				SS = Stainless Steel		G = Grade	

# POLY-CASTER™ HOPPER SPREADER

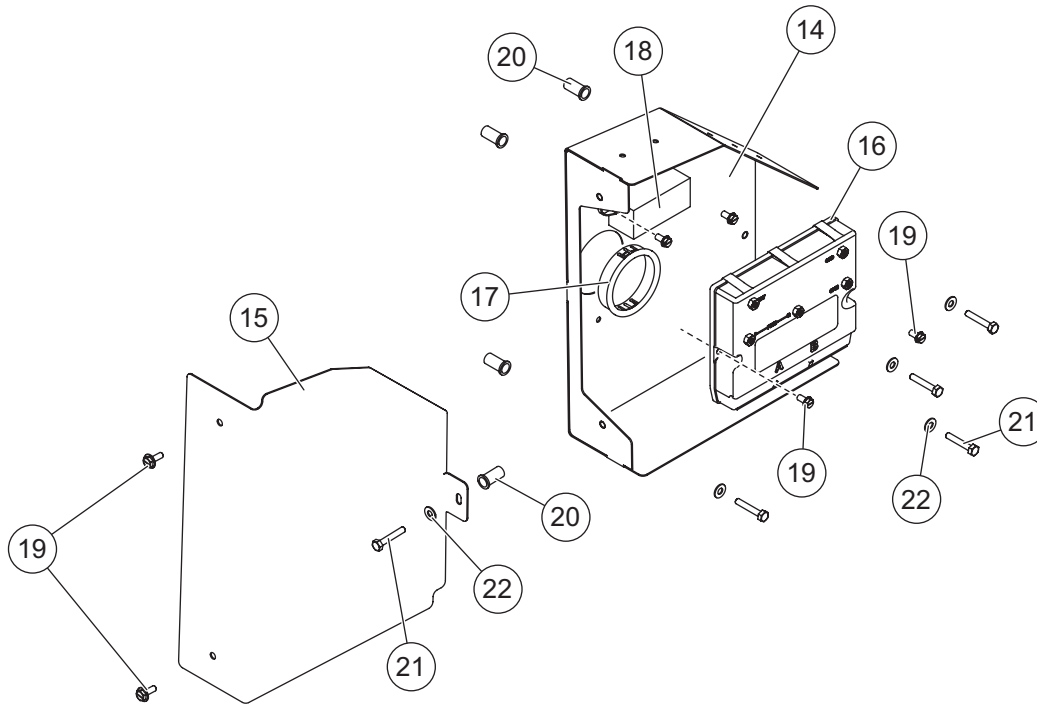
## CABLES & HARNESSING COMPONENTS





# POLY-CASTER™ HOPPER SPREADER

## ELECTRICAL ENCLOSURE COMPONENTS

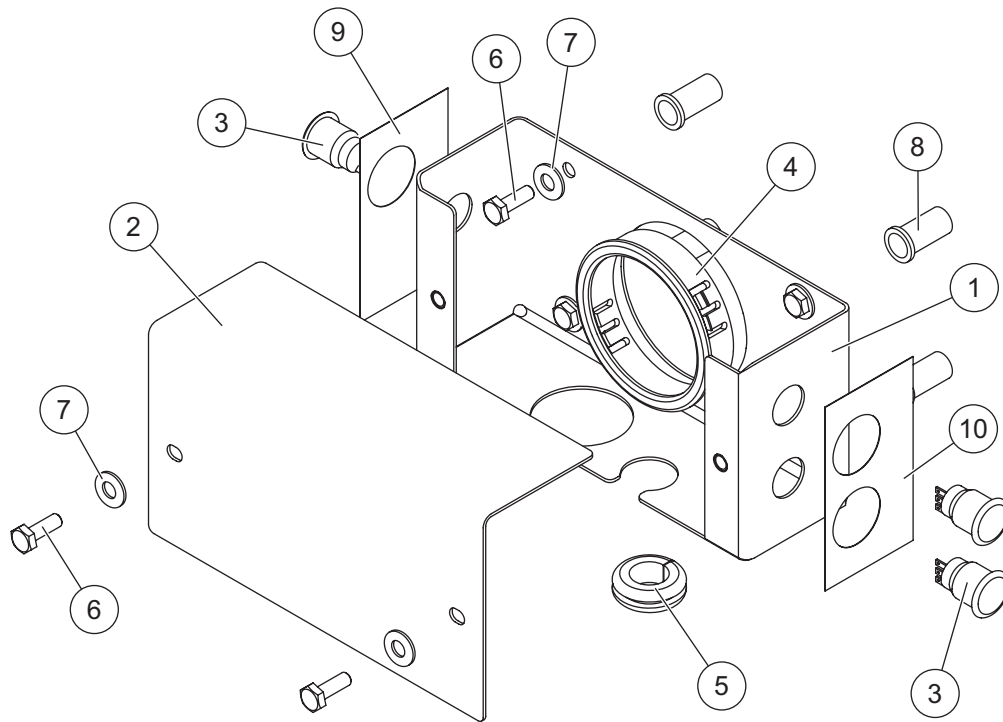


Cables & Harnessing / Electrical Enclosure Assembly							
Item	Part	Qty	Description	Item	Part	Qty	Description
1	78402	1	Vehicle-Side Harness Kit	4	78415	1	Spinner Motor Cable Assy, Hopper
2	78417	1	Hopper Harness Assembly	5	78412	1	Spinner Motor Cable Assembly, Chute
3	78418	1	Harness Assembly, Module to Conveyor Motor	6	78394	1	Cable Assembly, Mod. to Isolated Stud
				7	69916	1	8-Pin Cable Boot
<b>Item 1</b>	<b>78402 Vehicle-Side Harness Kit</b>						
8	69902	1	Vehicle Control Harness	12	95836	1	Fuse, 100A
9	76057	1	Vehicle Harness*	13	95837	1	Fuse Holder
10	99759	1	Plug Cover	ns		6	Cable Tie, HD
11	22511	1	22" Battery Cable – Red	ns		10	Cable Tie, 15.35"
<b>Electrical Enclosure Assembly</b>							
14	95073	1	Electrical Enclosure Body	19		6	1/4-20 x 1/2 Hex Washer-Head Machine Screw SS
15	99745	1	Electrical Enclosure Cover	20	78263	5	Well Nut
16	52385	1	4-Post Spreader Module	21		5	1/4-20 x 1-1/2 Hex Cap Screw SS
17	78434	1	Snap-In Grommet	22		5	1/4 Flat Washer SS
18	95837	1	Isolated Stud Block				
ns = not shown				SS = Stainless Steel			

\* Includes Plug Cover (item 10).

# POLY-CASTER™ HOPPER SPREADER

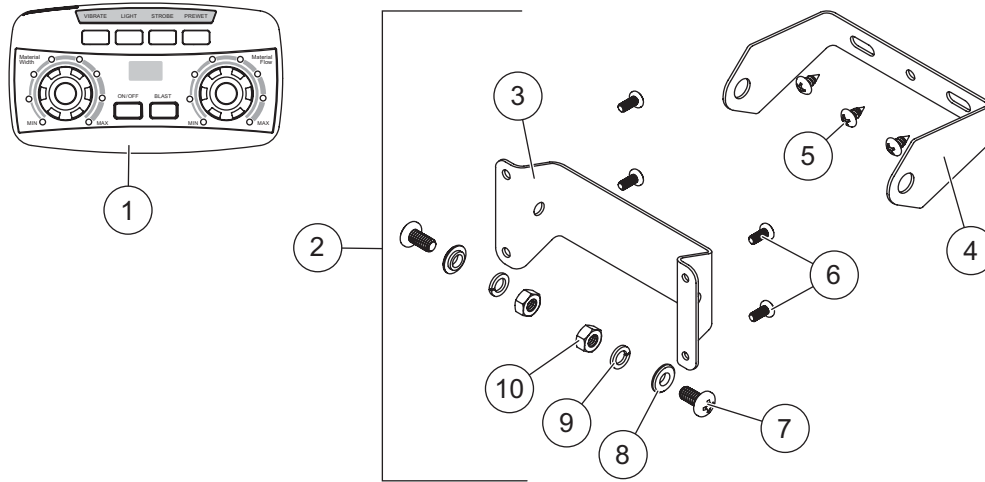
## SWITCH BOX ENCLOSURE ASSEMBLY



Switch Box Enclosure Assembly							
Item	Part	Qty	Description	Item	Part	Qty	Description
1	99746	1	External Enclosure, Body	7	6	6	1/4 Flat Washer SS
2	99747	1	External Enclosure, Cover	8	78263	4	Well Nut
3	99254	3	Push Button Switch	ns	95077	1	Dump Switch Label Kit (incl. items 9 & 10)
4	78434	1	Snap-In Grommet	9		1	One-Button Label
5	99195	2	Break-Thru Plug	10		1	Two-Button Label
6		6	1/4-20 x 3/4 Hex Cap Screw SS				
ns = not shown				SS = Stainless Steel			

# POLY-CASTER™ HOPPER SPREADER

## CAB CONTROL



99533 Cab Control Kit							
Item	Part	Qty	Description	Item	Part	Qty	Description
1	99773	1	Cab Control 2-Knob	2	52345	1	Cab Control Bracket Kit
Item 2				52345 Cab Control Bracket Kit			
3		1	Bracket, Control Inner	7		2	1/4-20 x 1/2 Pan Head Machine Screw SS – Black Oxide
4		1	Bracket, Control Outer	8		2	1/4 Shoulder Washer – Black Oxide
5		3	#10 x 3/8 Tapping Screw SS	9		2	1/4 Lock Washer SS
6		4	#8-32 x 3/8 Phillips Pan Head Machine Screw	10		2	1/4-20 Hex Nut G5 – Black Oxide
G = Grade				SS = Stainless Steel			

## ACCESSORIES & PRE-WET KITS

Accessories			
Part	Description	Part	Description
78197	License Plate Light Kit	76668	Vibrator Kit
99505-1	Primary Work Light Kit	78120	Inverted V Kit, 8' Model
99732-1	Secondary Work Light Kit	78150	Inverted V Kit, 7' Model
99766	Strobe Light Kit	68790	Ratchet Tie-Down Kit
Pre-Wet Kits			
76400	Standard Pump Kit, On-Off System	76425	50-Gallon Tank Kit (2 x 25 gal)
76420	Deluxe Pump Kit, Full-Feature System		

# POLY-CASTER™ HOPPER SPREADER

---



Fisher Engineering  
50 Gordon Drive  
Rockland, ME 04841-2139  
[www.fisherplows.com](http://www.fisherplows.com)

**A DIVISION OF FISHER, LLC**

Copyright © 2019 Douglas Dynamics, LLC. All rights reserved. This material may not be reproduced or copied, in whole or in part, in any printed, mechanical, electronic, film, or other distribution and storage media, without the written consent of Fisher Engineering. Authorization to photocopy items for internal or personal use by Fisher Engineering outlets or spreader owner is granted.

Fisher Engineering reserves the right under its product improvement policy to change construction or design details and furnish equipment when so altered without reference to illustrations or specifications used. Fisher Engineering or the vehicle manufacturer may require or recommend optional equipment for spreaders. Do not exceed vehicle ratings with a spreader. Fisher Engineering offers a limited warranty for all spreaders and accessories. See separately printed page for this important information. The following are registered (®) or unregistered (™) trademarks of Douglas Dynamics, LLC: FISHER®, POLY-CASTER™.

**Printed in U.S.A.**