



SNOW PLOW

TRIP-EDGE SUPER-DUTY STRAIGHT BLADE PLOWS PARTS EXPLOSION 2017-2018



WELDMENTS table with 3 items: Coupler Assembly W/Pins Only, Pushframe Assembly, Pushframe Attachment Bar.

BLADES (WITH BASE ANGLES & T-LEVER ASSEMBLIES) table with 6 items: Blade (76", 80", 90" Super Duty Trip-Edge Steel).

BASE ANGLES table with 6 items: Base Angle (76", 80", 90" Super Duty Trip-Edge).

CUTTING EDGES table with 4 items: Cutting Edge (76", 80", 90" Super Duty).

PLOW COMPONENTS table with 13 items: Kickstand Leg, Plow Shoe Assembly, Light Bar Assembly.

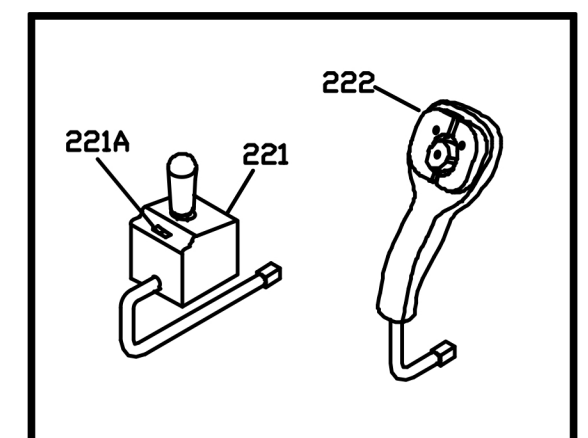
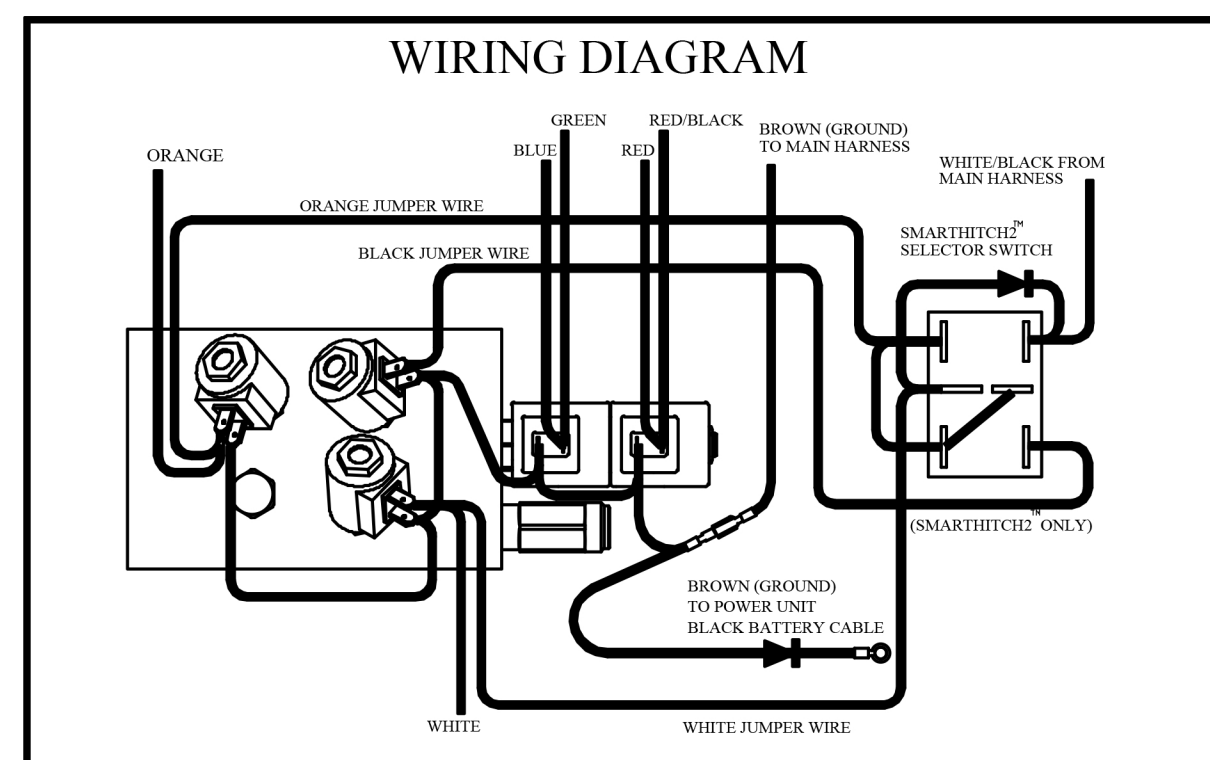
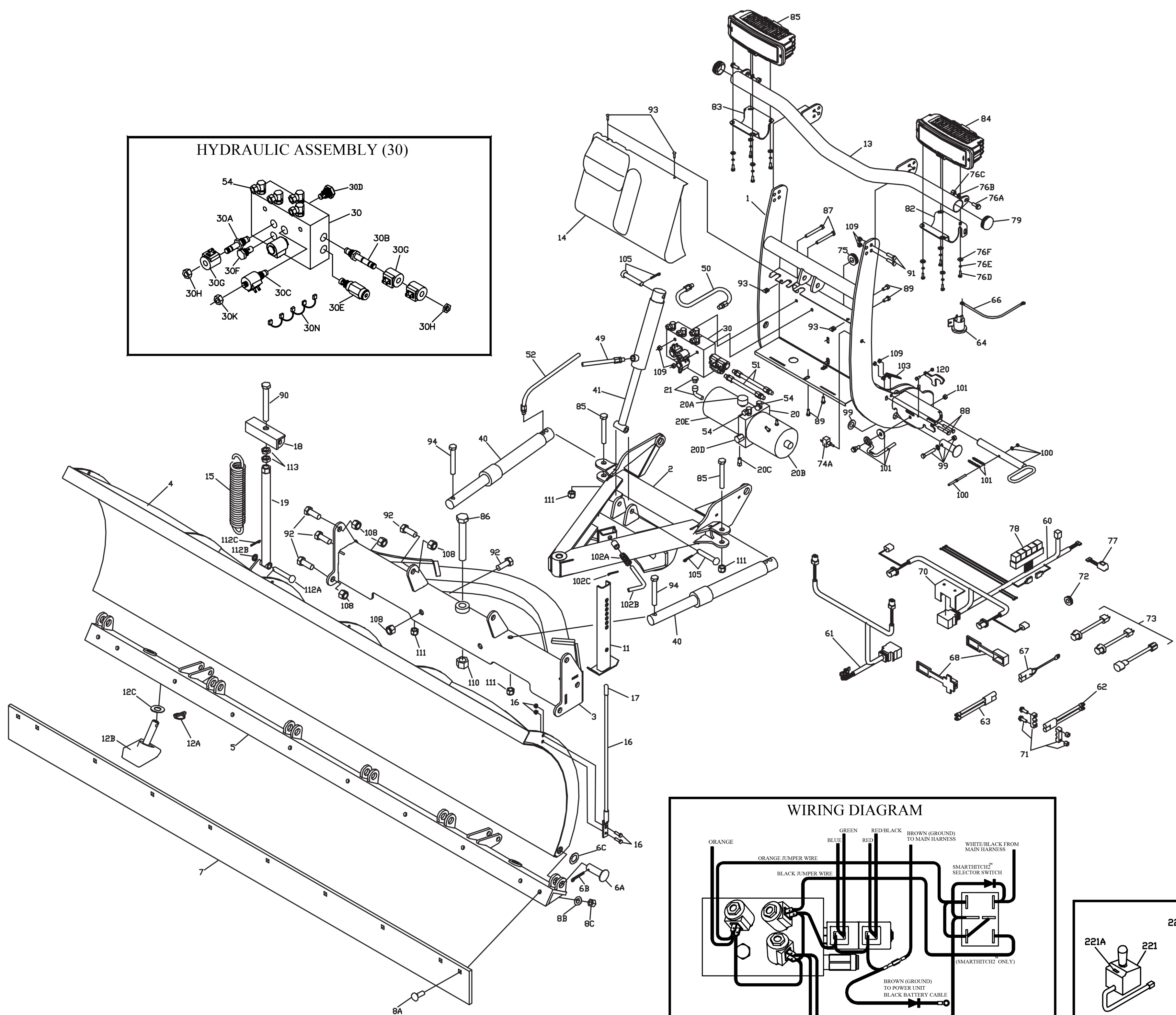
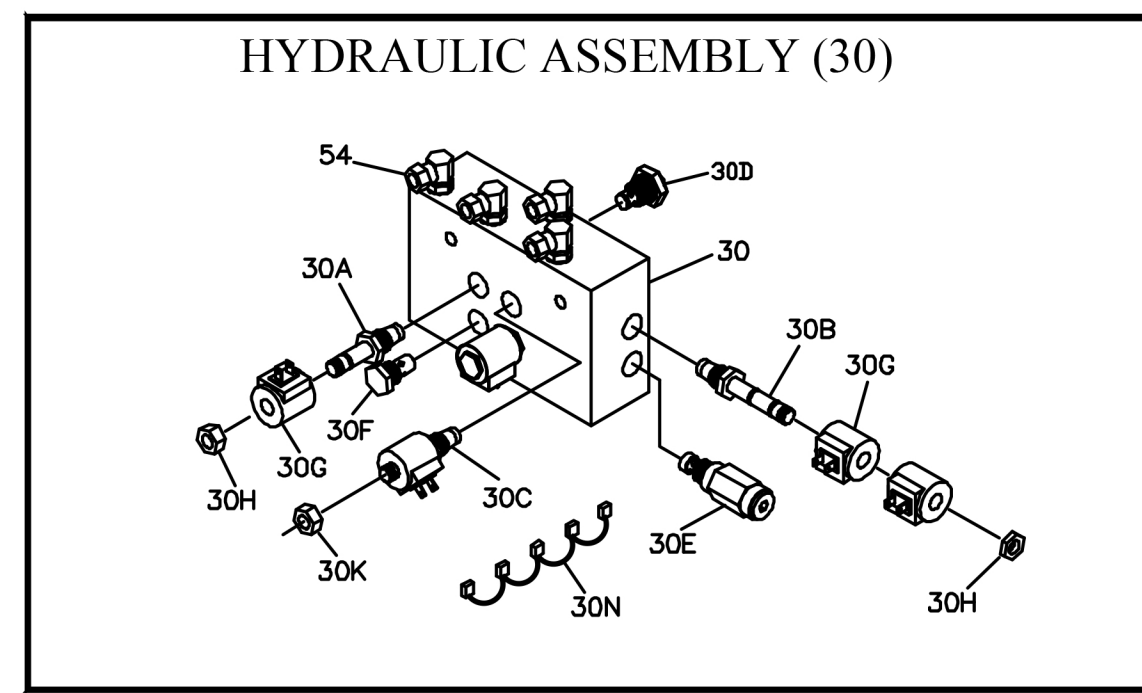
HYDRAULIC POWER UNIT table with 11 items: Hydraulic Pump - Power Unit, Hydraulic Pump Filler Cap.

HYDRAULIC VALVE ASSEMBLY table with 13 items: Hydraulic Valve Assembly with SmartHitch (Red).

CYLINDERS & CYLINDER SEAL KITS table with 4 items: Hydraulic Angle Cylinder, Hydraulic Lift Cylinder.

HOSES & FITTINGS table with 6 items: Hydraulic Hose (Lift), Hydraulic Hose (SmartHitch2).

OPTIONS & ACCESSORIES table with 15 items: Rubber Snow Deflector, Red Touch-Up Spray Paint.



ELECTRICAL table with 25 items: Light and Control Harness, Power/Ground Cable, Solenoid, Battery Cable, etc.

BOLTS table with 10 items: Hex Head Cap Screw, Nylon Locking YZN, etc.

PINS, NUTS, WASHERS, & OTHER HARDWARE table with 10 items: Coupler Pivot Pin Kit, Coupler Spring Pin Kit.

Table with 10 items: Coupler Spring Pin Release Kit, Kickstand Spring Pin Kit.

Table with 10 items: Spring, Pin Kit Lift Cylinder Clevis, Nut, Lock 3/4", etc.

Table with 10 items: Nut, Jam 3/4", Latch Kit, Joystick Control.

Table with 10 items: Control Pad, Cord, Circuit Board, On/Off Switch.

BOSS Products reserves the right under its continuous product improvement policy to change construction or design details and furnish equipment when so altered without reference to illustrations or specifications used herein. Patents: www.tcopats.com