



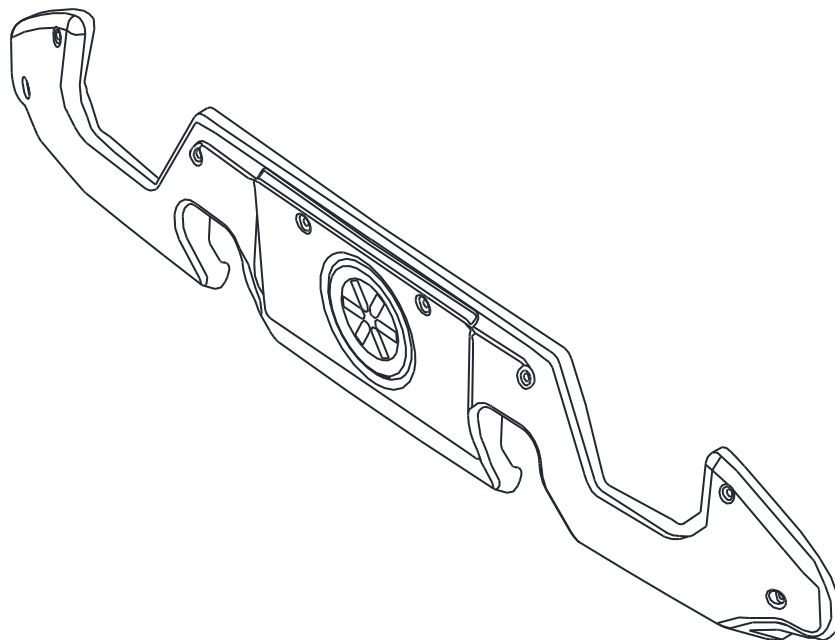
**A Division of The Toro Company**

P.O. Box 787 Iron Mountain, MI 49801-0787

ISO 9001:2008 REGISTERED

bossplow.com

**2016 & NEWER  
GMC ½ TON  
BUMPER TRIM  
MOUNTING INSTRUCTIONS  
(PART NO. MSC18870)**



***PUSHING THE EDGE***

MSC18872-A

# WARNING

Many newer trucks are now equipped with air bags. DO NOT under any circumstances disable, remove or relocate any sensors or other components related to the operation of the air bags.

Always follow the vehicle manufacturers' recommendations relating to snowplow installation. For recommended vehicle models refer to the BOSS Snowplow Application Chart and Selection Guide.

To comply with Federal Regulations and to assure a safe vehicle, the Front Gross Axle Weight Rating (FGAWR), Rear Gross Axle Weight Rating (RGAWR), and the Gross Vehicle Weight Rating (GAWR) must not be exceeded at any time.

Due to the variety of equipment that can be installed on this vehicle, it is necessary to verify that the Front Gross Axle Weight Rating (FGAWR), Rear Gross Axle Weight Rating (RGAWR), and the Gross Vehicle Weight Rating (GAWR) are not exceeded at any time. This may require weighing the vehicle and adding ballast as necessary. It may also limit payload capacity of the vehicle. It is the operator's responsibility to verify that these ratings are not exceeded.

## 2016 & NEWER GMC ½ TON MOLDED BUMPER TRIM MOUNTING INSTRUCTIONS

1. Grill removal will be necessary, note that the top bumper trim is removed before the grill and is fastened at the ends, inside the wheel well.
2. After the grill has been removed, the bumper bolts will be exposed. Disconnect any electrical connectors that may prevent bumper removal. Remove the bumper and place face down on cardboard, shop towels, or a suitable surface that will not damage the front of the bumper.

Remove these bolts to  
separate bracket (each side)

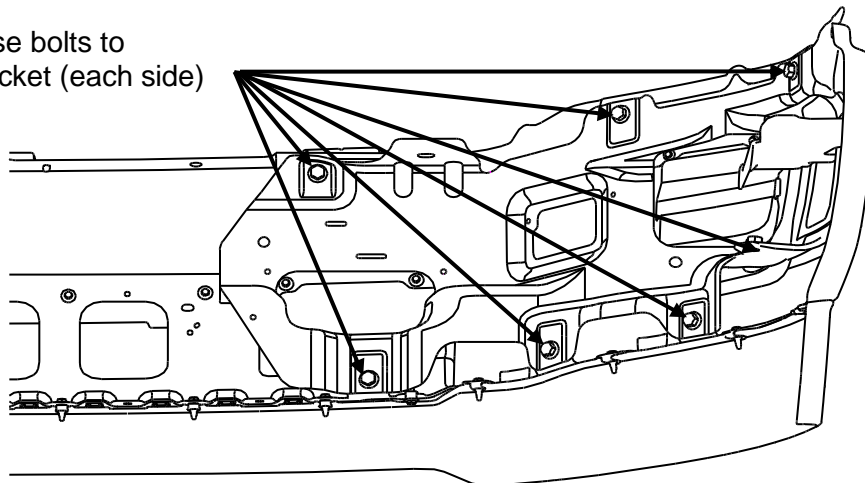
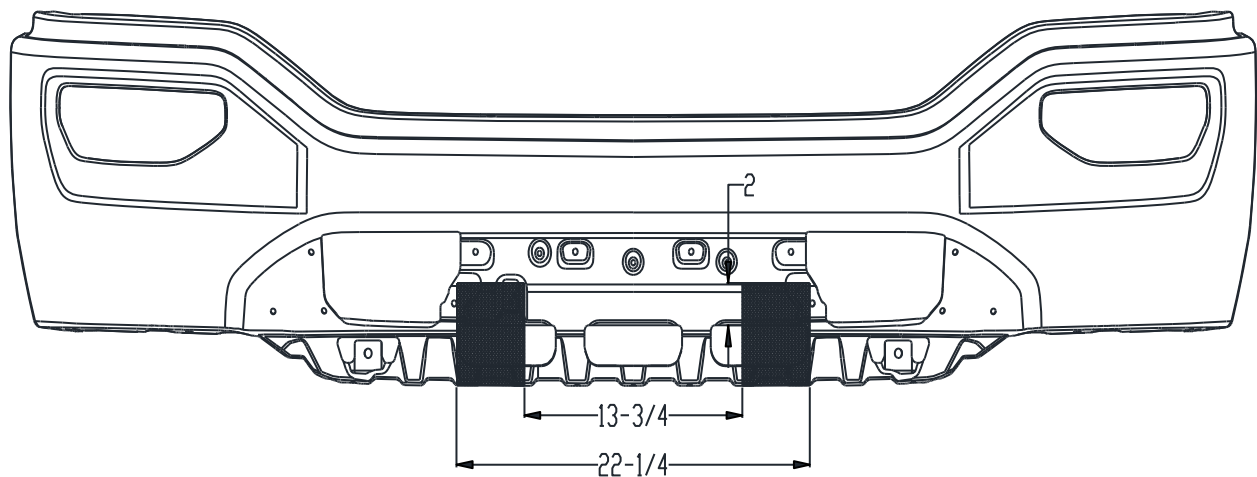


Figure 1

G10859

3. Remove the bolts holding the rear brackets to the bumper shell (see **Figure 1**); be careful to remove any sensors, lights, or wiring that may be fastened to the bumper shell.

4. Remove the lower air dam.
5. Remove bolts and clips holding factory trim piece in place. Flip bumper over and remove the factory trim.
6. Notch the steel bumper shell to accommodate the replacement trim. Follow **Figure 2** as a guide for notching, shaded area to be removed; additional trimming may be required.



**Figure 2**

G13401

7. Insert the trim piece and fasten with eight provided nylon nuts and bolts. The lower air dam may be omitted by removing the j-nuts from the air dam and replacing them on the lower lip of the bumper then inserting the bolts through the trim piece and into the j-nuts. If the lower air dam is to be reinstalled, it must be cut, use the BOSS trim piece as a guide for notching the lower air dam, then reinstall the factory hardware. There will be extra hardware that needs to be saved and stored with the factory trim piece. If necessary, install license plate on the replacement trim using the factory hardware or suitable screws.
8. Reinstall the rear brackets to the bumper shell; reconnect any wiring, sensors, or lights that were removed.
9. Reinstall the bumper and grill. There should be adequate clearance between the trim and Push-Beam hook to allow proper connection to the plow when the pushbeam is installed at the recommended height.