



SNOW PLOW

RT3 HTX V-PLOW
HTX V BLADE PLOWS
PARTS EXPLOSION
2017-2018



WELDMENTS

- 1 Coupler Assembly W/Pins Only
2 Pushframe (RT3-V HTX)
3 Center Section (RT3-V UTV)
4 Blade Half Left, 76" RT3 Steel HTX-V
5 Blade Half Right, 76" RT3 Steel HTX-V

CUTTING EDGE

- 6 Cutting Edge, Formed, Driver Side, 76" (HTX-V)
7 Cutting Edge, Formed, Passenger Side, 76" (HTX-V)
8 Carriage Bolt Set
Includes: (10) Carriage Bolt 5/8" - 13 X 1-3/4" GR5
(10) Washer, 5/8" Hardened
(10) Nut, Oval Top Lock 5/8"

PLOW COMPONENTS

- 9A Horizontal Hinge Pin Kit (RT3-V UTV)
Includes: (1) Pin, Horizontal Threaded, UTV RT3
(1) Washer, 1/16" ID X 1-3/4" OD, YZN
(1) Jam Nut, 5/8" - 11 YZN
9C Center Hinge Pin (RT3-V UTV)
10 Bumper Stop (UTV)
11A Includes: (1) Bottom Plate
(1) Bumper Stop
(2) Nut, Self-Locking 3/8" - 16 YZN
12 Light Bar Assembly
13 Plow Shoe Assembly, Cast Iron
Includes: (1) Quick Pin, 7/16"
13B (1) Plow Shoe (1" Shaft), Cast Iron
13C (1) Spacer, 1" PLT
13D (1) Spacer, 1-1/2" Long
14 Hydraulic Enclosure Cover
15 Spring, Trip
16 Blade Guide, Set of (2) W/Hardware
Sport Duty Plows Require (2) Additional
Hex Head Cap Screw, 1/2" - 13 X 1-1/2" Washer HD, Spinlock, Self-Tapping, GR5 YZN
18 Center Section Cover Plate (RT3-V UTV)
19 Tut-Lok

HYDRAULIC POWER UNIT

- 20 Hydraulic Pump - Power Unit
Includes the Following Commonly Ordered Parts
20A Hydraulic Pump Filler Cap
20B Hydraulic Pump Motor
20C Hydraulic Reservoir Drain Plug
20D Relief Valve (2,000 PSI)
20E Hydraulic Reservoir, 2 quart
Seal Kit, Power Unit
21 Fill Cap and Elbow Kit

HYDRAULIC VALVE ASSEMBLY

- 30 Hydraulic Valve Assembly with SmartHitch
Includes the Following Commonly Ordered Parts
30A Hydraulic Valve, Lift/Lower Cartridge
30B Hydraulic Valve, SmartHitch Attach
30C Hydraulic Valve, Flow Control Cartridge
30D Relief Valve, V-Plow (2,800 PSI)
30E Check Valve
30F Coil, Hydraulic Valve
30H Nut, Coil
30K Nut, Coil (SmartHitch Valve)
30L Orifice Plug, 0.08" ID
Not Included in HYD07123
30N Ground Strap, Power-V

CYLINDERS & CYLINDER SEAL KITS

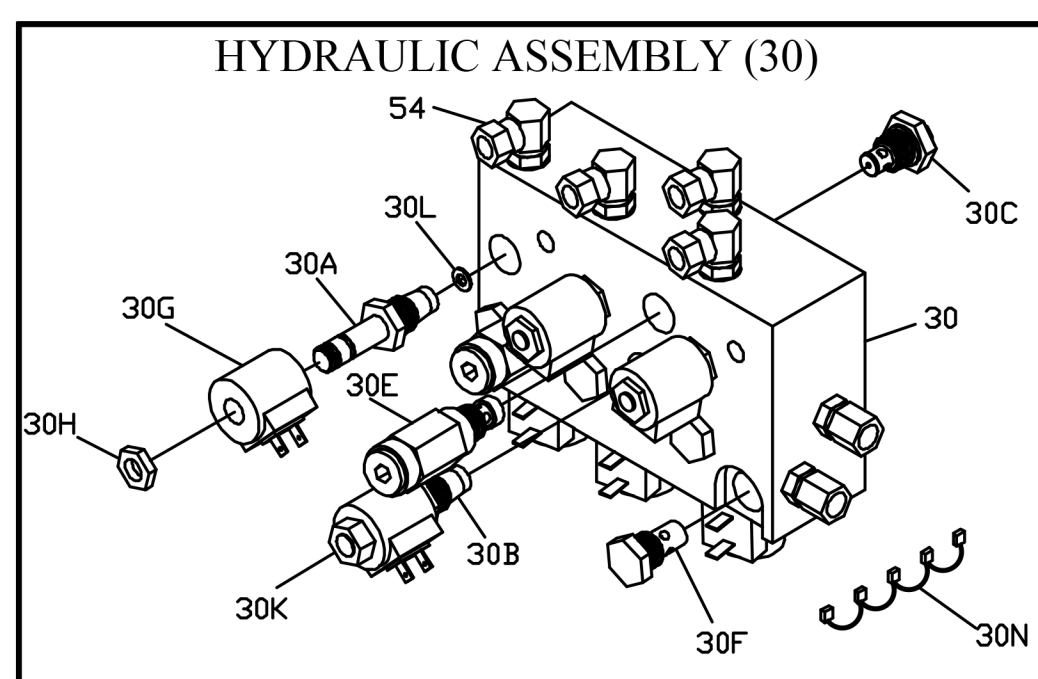
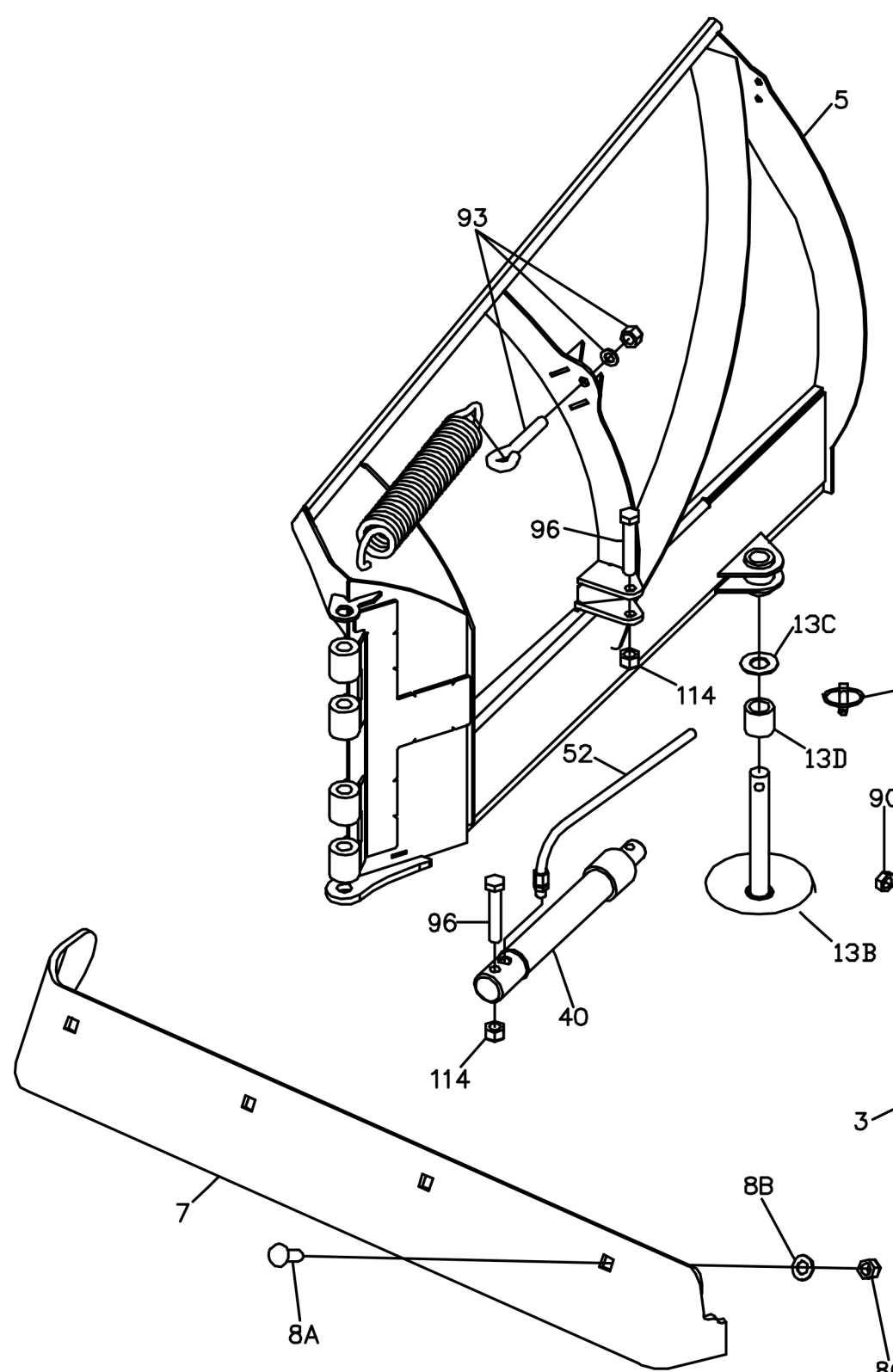
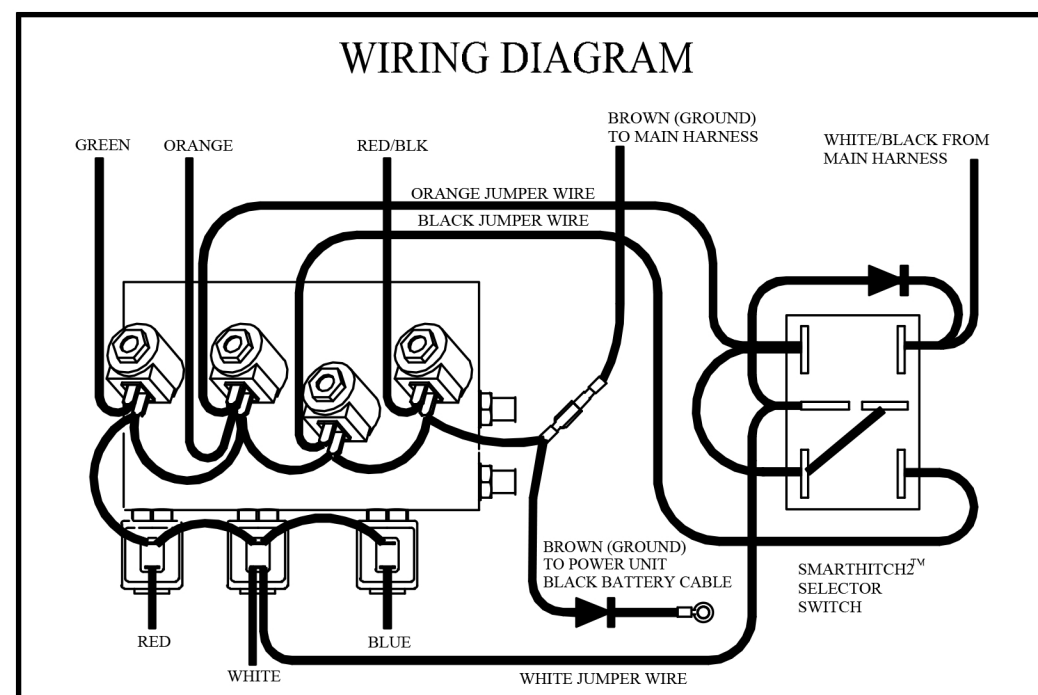
- 40 Hydraulic SmartLock Angle Cylinder
Seal Kit for Hydraulic Angle Cylinder HYD18841
41 Hydraulic Lift Cylinder
Seal Kit for Hydraulic Angle Cylinder HYD09440

HOSES & FITTINGS

- 49 Hydraulic Hose (Lift) 1/4" X 18", (1/4" MNPT X SAE #6)
51 Hydraulic Hose (Power Unit to Manifold) 1/4" X 14", (3/8" ORB X 1/4" MNPT)
52 Hydraulic Hose (Angle) 3/8" X 40", (1/4" MNPT X 3/8" MNPT)
54 Hydraulic Swivel Fitting, 90 Degree (Manifold) (1/4" ORS X 1/4" FPS)

OPTIONS & ACCESSORIES

- Black Touch-Up Spray Paint (12oz.)
Black Touch-Up Spray Paint (Quart)
Red Touch-Up Spray Paint (12oz.)
Red Touch-Up Spray Paint (Quart)
Dielectric Grease (1 oz.)
Boss High Performance Hydraulic Fluid - Case (12 Quarts per)
Emergency Parts Kit, RT3 V-Blade
Plow Shoe Kit
Sight System
Ballast Retainer Kit
Snow Deflector Kit



BOSS Products reserves the right under its continuous product improvement policy to change construction or design details and furnish equipment when so altered without reference to illustrations or specifications used herein.

Patent: www.ttcoats.com

ELECTRICAL

- 60 Light and Control Harness 128" (Vehicle Side) - 13 pin, Harness Only
61 Light and Control Harness 48" (Plow Side) - 13 pin, Harness Only, LED
62 Power/Ground Cable 90" (Vehicle Side)
63 Power/Ground Cable 36" (Plow Side)
64 Solenoid, Hydraulic Pump
66 Battery Cable, 24"
67 Battery Cable, 72" (Optional)
68 Power/Ground Cable Dust Cap/Plug Kit (Vehicle & Plow) Set of (2)
69 Weather Plug for Light & Control Harness Kit (Vehicle & Plow)
70 Control Harness Mounting Bracket
71 Power/Ground Cable Mounting Bracket Kit W/Hardware
72 Rubber Split Grommet, 1-1/8"
73 Headlight Adapter Kit
74 SmartHitch2 Toggle Switch Kit (Includes Switch & Jumpers)
Includes: (1) Switch, SmartHitch2 Toggle
(1) Wiring Harness, SmartHitch2 (Orange)
(1) Wiring Harness, SmartHitch2 (Black)
(1) Wiring Harness w/Diode, SmartHitch2 (White)
(1) Switch Boot, SmartHitch2
75 Rubber Grommet - for light and control harness in coupler tower
76 Headlight Mounting Fastener Kit
76A Includes: (2) Hex Hed Cap Screw, 3/8" - 16 X 1" Washer Head Spinlock GR5 YZN
(2) Washer, 3/8" Flat YZN
76C (2) Nut, 3/8" - 16, Nylon Locking YZN
76D (8) Hex Head Cap Screw, 1/4" - 20 X 3/4"
76E (8) Washer, 1/4" Split Lock YZN
76F (8) Washer, 1/4" Flat YZN
77 Headlight Rocker Switch
78 Relay, 12V
79 Light Bar, End Cap
80 Relay Repair Kit
81 Fuse Holder Repair Kit
82 Headlight Mounting Bracket, Left, SmartLight2
83 Headlight Mounting Bracket, Right, SmartLight2
84 Headlight, Left, SmartLight3
85 Headlight, Right, SmartLight3

BOLTS

- 86 Hex Head Cap Screw, 3/8" - 16 X 1-1/2" GR5 YZN (Center Hinge Pin to Center Section)
87 Hex Head Cap Screw, 3/8" - 16 X 1-1/4" GR5 YZN (Light Bar Assembly)
88 Hex Head Cap Screw, 3/8" - 16 X 2-1/4" GR5 YZN (SmartHitch Torison Spring)
89 Hex Head Cap Screw, 3/8" - 16 X 3-1/4" GR5 YZN (Manifold to Coupler)
90 Hex Head Cap Screw, 3/8" - 16 X 3/4" Washer HD Spinlock GR5 YZN (Pump to Coupler)
91 Hex Head Cap Screw, 5/16" - 18 X 1" GR5 YZN (Blade Guide to Blade)
92 Hex Head Cap Screw, 1/2" - 13 X 1-1/2" GR5 YZN
93 Eye Bolt Kit, 1/2" X 5-1/2" (To Hole Center), YZN (Trip Spring) W/HDW
Includes: (2) Eye Bolt, 1/2" X 5-1/4" (To Hole Center), YZN
(2) Nut, 1/2" NC NY/INS Lock YZN
(2) Washer, 1/2" Flat YZN
(2) Push Nut Retainer, 3/8" YZN
94 Thumb Screw Kit
95 Hex Head Cap Screw, 1/2" - 13 X 5-1/2" GR5 YZN
96 Hex Head Cap Screw, 1/2" - 13 X 3-1/2" GR5 YZN (Angle Cylinders)

PINS, NUTS, WASHERS, & OTHER HARDWARE

- 99 Coupler Pivot Pin, Kit
Includes: (1) Pivot Pin 3/4" X 2" YZN
(1) Washer, 3/4" YZN
(1) Cotter Pin, 3/16" X 2-1/2" YZN
100 Coupler Spring Pin Kit
Includes: (1) Coupler Spring Pin
(1) 1/4" Stop Pin YZN
(1) Nylon Washer, 1/4"
(1) Nut, Nylon Locking, 1/4" - 20 YZN
101 Coupler Spring Pin Release Kit
Includes: (1) Coupler Spring Pin Release Handle (left or right)
(1) Coupler Spring Release Nylon Washer
(1) Nut, 3/8" Locking YZN
(2) Coupler Spring Pin Release Springs
(1) Shoulder Bolt w/Flange, 3/8" - 16 YZN
103 Spring, SmartHitch Torison Set of (2)
105 Pin Kit Lift Cylinder Kit
108 Washer, Split Lock, 3/8" YZN
112 Nut, Self-Locking 3/8" - 16 YZN (Lightbar Assembly & Torison Springs)
114 Nut, Nylon Locking 1/2" - 13 YZN (Angle Cylinders)
116 Nut, Nylon Locking 5/16" - 18 YZN (Blade Guides)
120 Latch Kit
Includes: (1) Latch
(1) Hex Head Cap Screw, 1/4" - 20 X 3/4" GR5 YZN
(1) Nut, Nylon Locking 1/4" - 20 YZN

CONTROLLERS

- 221 Joystick Control, V-Blade
221A Switch (Joystick, On/Off)
221B Switch (Joystick, Raise/Lower) V-Blade
222 SmartTouch2, Hand Held Control, V-Blade
222A Handle (SmartTouch2)
222B Housing (SmartTouch2) V-Blade
222C Cord (SmartTouch2)
222D Control Pad (SmartTouch2) V-Blade
222E Circuit Board (SmartTouch2) V-Blade
222F On/Off Switch (SmartTouch2)