



WESTERN PRODUCTS  
P.O. BOX 245038  
MILWAUKEE, WI 53224-9538



A DIVISION OF DOUGLAS DYNAMICS, L.L.C.

## LSX HYDRAULICS PARTS LIST

Lit No. 63613, Rev. 04  
August 15, 2008

---

# LSX Hydraulics

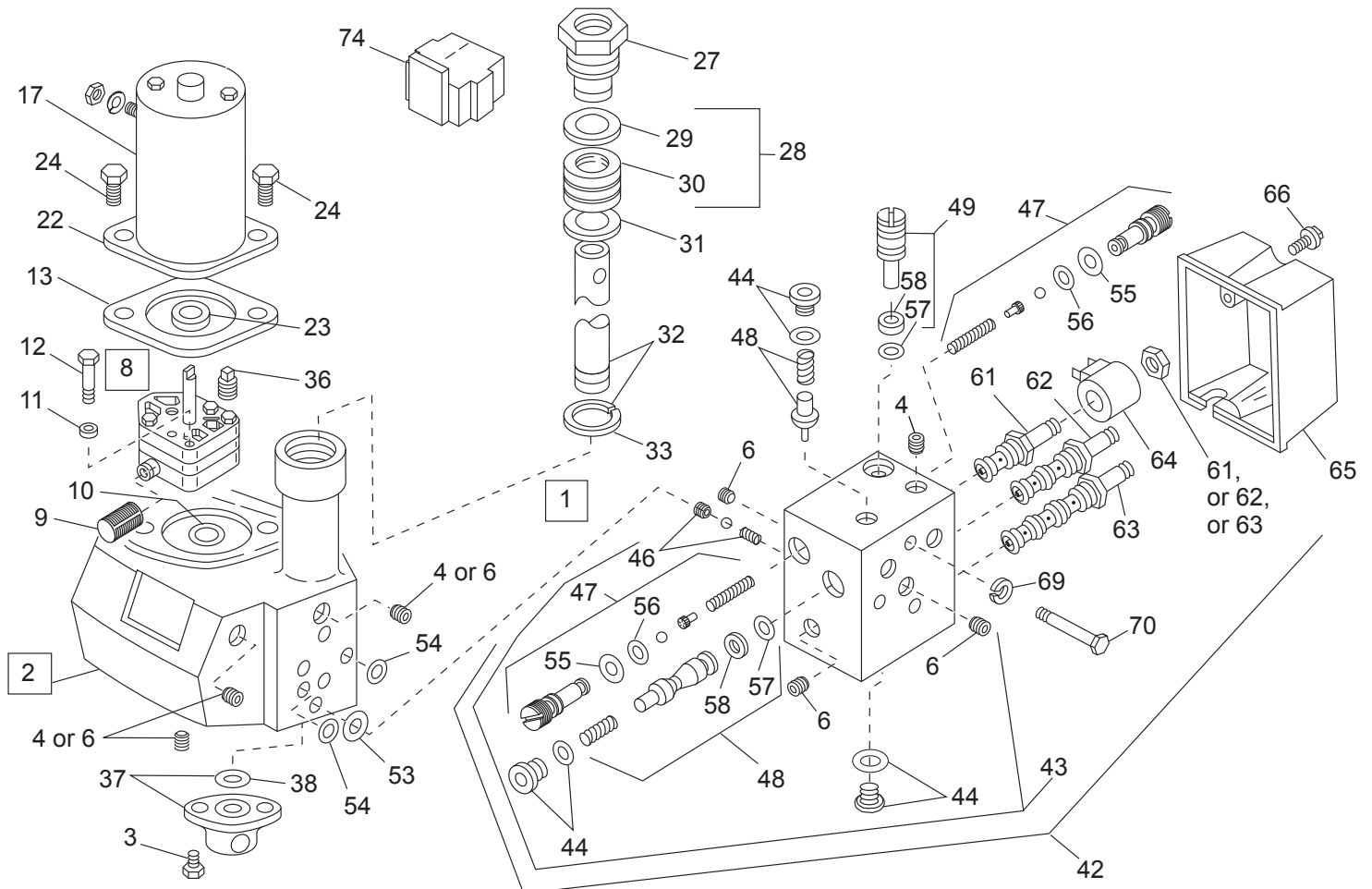
Blade No. 63472

Hydraulics Box No. 56545

---



# HYDRAULICS BOX NO. 56545 - PARTS DIAGRAM AND LIST



ITEM	PART NO.	QTY.	DESCRIPTION	ITEM	PART NO.	QTY.	DESCRIPTION
Found in Hydraulics Box No. 56545							
1	49253	1	HYDRAULIC UNIT 1-1/2" SOL 3500	42	.49265	1	SOLENOID VALVE ASSY SOL 3500
2	.49252	1	SERVICE HOUSING KIT 1-1/2" SOL	43	.49224	1	MANIFOLD ASSY SOL 3500 (W/O Cartridges)
3	.93166	2	5/16-18X1-1/4 HXW TRTS TY TR-3	44	... 92960	3	3/8-24 SO HD O-RING BOSS PLUG
4	.92095	3	PLUG 1/4NPTF HX SO THREAD SEAL	6	... 92071	3	PLUG 1/8 NPTF HX SO
6	.92071	2	PLUG 1/8 NPTF HX SO (W/O Fluid Level Plug)	4	... 92095	1	PLUG 1/4 NPTF HX SO THREAD SEAL
8	.49211	1	HYDRAULIC PUMP KIT	46	... 49225	1	INLET CHECK VALVE KIT
9	.56185	1	SUCTION FILTER	47	... 49138K	1	CUSHION VALVE KIT- 2 SETS
10	.56416	1	O-RING 014	*48	... 49226	1	POPPET CHECK VALVE KIT
11	.90311	2	1/4 FLAT WASHER TY A STD ZP	*49	... 56330	1	QUILL ASSY
12	.90080	2	5/16-18X2-1/2 HX CS G5 ZP/ZYC	... 56657	1	O-RING & BACK-UP RING KIT - SOL	
*13	.25861	1	GASKET	*53	... 56274	1	O-RING -013 (not included W/ 49265/49224)
17	.56133	1	MOTOR ASSY 4-1/2"	*54	... 25730	2	O-RING -012 (not included W/ 49265/49224)
(See next page for motor service parts)							
22	.49084	1	MOTOR FLANGE BRG & SEAL	*55	... 25731	2	O-RING - 010
*23	.49014	1	OIL SEAL	*56	... 55371	2	O-RING - 008
24	.90066	2	7/16-14X1-1/4 HX CS G5 ZP	*56	... 25622	2	O-RING - 006
27	.25944K	1	PACKING NUT 1-1/2"	*58	... 56315	2	BACK-UP RING - 006 PARBAK SPLIT
28	.25205K	1	PACKING SET W/WIPER 1-1/2"	61	... 49227K	1	CARTRIDGE 20 W/JAM NUT
*29	.55137	1	WIPER RING - 1-1/2"	*	... 49258-1	1	SEAL KIT - CARTRIDGE 20
*30	.55136	1	PACKING SET 1-1/2"	62	... 49228	1	CARTRIDGE 30 W/JAM NUT
31	.338	1	FLAT WASHER - SPECIAL	63	... 49229	1	CARTRIDGE 40 W/JAM NUT
32	.25202	1	PLUNGER KIT 1-1/2 X 6 (Lift Ram Application Only)	*	... 49259-1	2	SEAL KIT - CARTRIDGE 30, 33 & 40
33	.48414	3	SPIRAL RETAINING RING 1-1/2	64	... 49230K	3	COIL W/SPADE TERMINALS
36	.92079	1	PLUG 3/8 NPTF SQ	65	... 56291	1	COVER ASSY
37	.25968K	1	BASE LUG W/#25618 O-RING	66	... 90650	2	#8-18X1/2 SL HXW TFTS TY B ZP
*38	.25618	1	O-RING - 216	69	.91201	3	1/4 SP LK WASHER ZP
				70	.90083	3	1/4-20X3-1/4 HX CS G5 ZP
				74	61246	1	CABLE BOOT U
				**	21294	1	CABLE ASSY - PLOW
				**	49340	1	MAJOR OVERHAUL KIT 1-1/2 SOL

For list abbreviations see page 2.

\* Items included in Kit No. 49340

\*\* Not Shown

# HYDRAULICS BOX NO. 56545 - PARTS DIAGRAM AND LIST (Continued)

## Motor Manufacturer Identification and Service Parts

Photos show terminal positions and end caps for brand identification.



### Bosch 2 Terminal

PART NO.	QTY.	DESCRIPTION
56620	1	BRUSH KIT – BOSCH 2 TERMINAL
21508	2	CS HX 1/4-20 X 6-1/4 G5 ZYC
91201	2	WASHER SP LK 1/4" ZP
21535	1	WASHER FIBER THRUST 5/8 (drive end)



### Prestolite 2 Terminal

PART NO.	QTY.	DESCRIPTION
56638	1	END CAP W/ O-RING – PRESTOLITE 2 TERMINAL
56621	1	THRU-BOLT KIT – PRESTOLITE 2 TERMINAL (Includes cap screws and special washers.)
56641	1	THRUST WASHER KIT – PRESTOLITE 2 TERMINAL (Includes retaining ring for early models.)

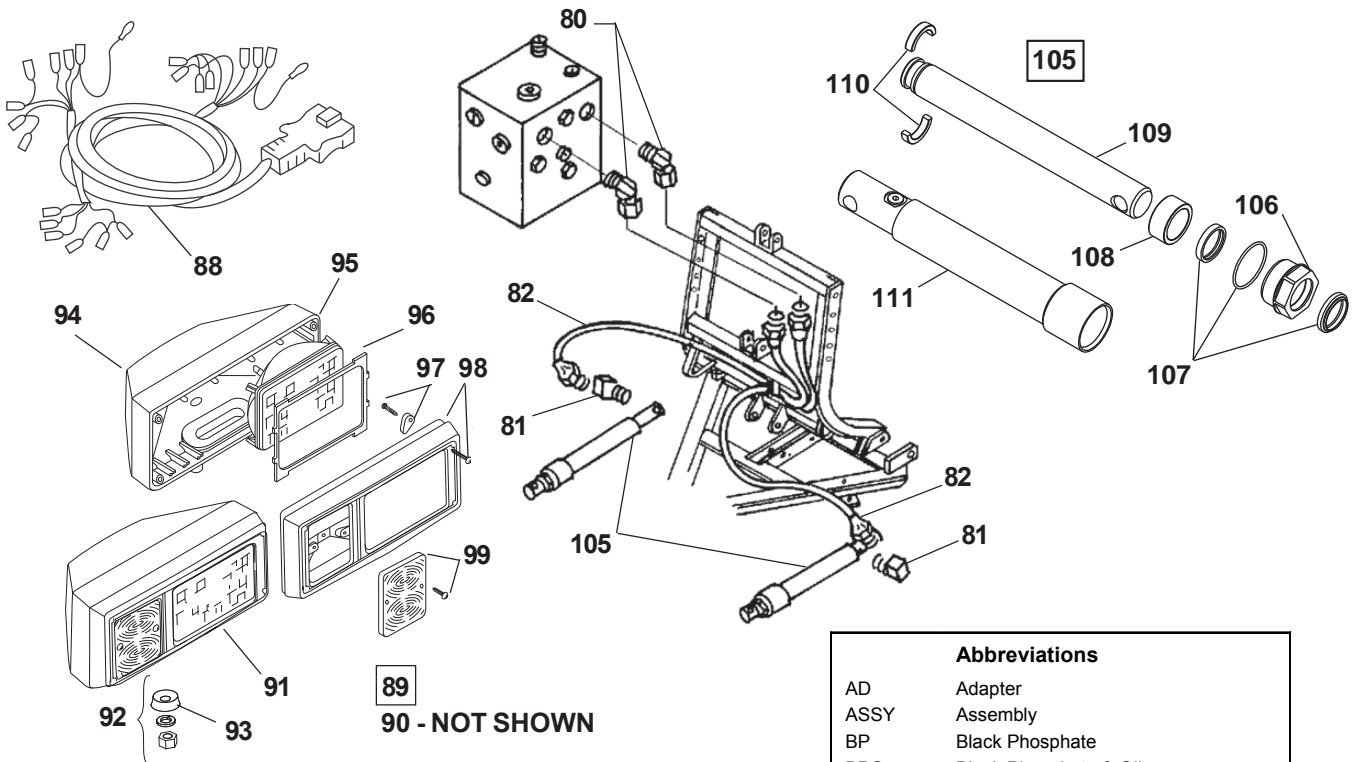


### Bosch BIC

PART NO.	QTY.	DESCRIPTION
56637	1	END CAP W/ O-RING – BOSCH BIC
56639	1	BRUSH KIT – BOSCH BIC
56640	1	THRU-BOLT KIT – BOSCH BIC (Includes special cap screws, washers, and O-rings.)
21535	1	WASHER FIBER THRUST 5/8 (drive end)

For list abbreviations see page 2.

# HYDRAULICS BOX NO. 56545 - PARTS DIAGRAM AND LIST (Continued)



ITEM	PART NO.	QTY.	DESCRIPTION
Found in Hydraulics Box No. 56545			
80	92190K	2	45F AD UNION(MALE)1/4NPTF/NPSM
81	56539	2	FEMALE ELBOW
82	55020K	2	PRESSURE HOSE 1/4" X 38"
105	56538K	2	RAM ASSEMBLY 8"
106	-	1	GLAND NUT POLYPAC SEAL
107	. 56556	1	SEAL KIT W/POLYPAC SEAL
108	. 56537	1	SPACER
109	. 56534	1	PLUNGER 1-1/2 X 8
110	. 62290	2	SPLIT BEARING 1-1/2"
111	. 56536	1	CYLINDER 1-1/2 X 8

Parts listed above and on previous page may be found in one of these assemblies.

56541	1	CARTON ASSY LOOSE PARTS U
. 56540	1	BOLT BAG ASSY LARGE U
. . 56358	1	BOLT BAG SMALL U (All parts in this bag are used on the vehicle installation.)

Parts furnished in the hydraulics box and installed on the vehicle are shown in the mount box instructions.

Found in Headlamp Kit No. 61540 or 61550

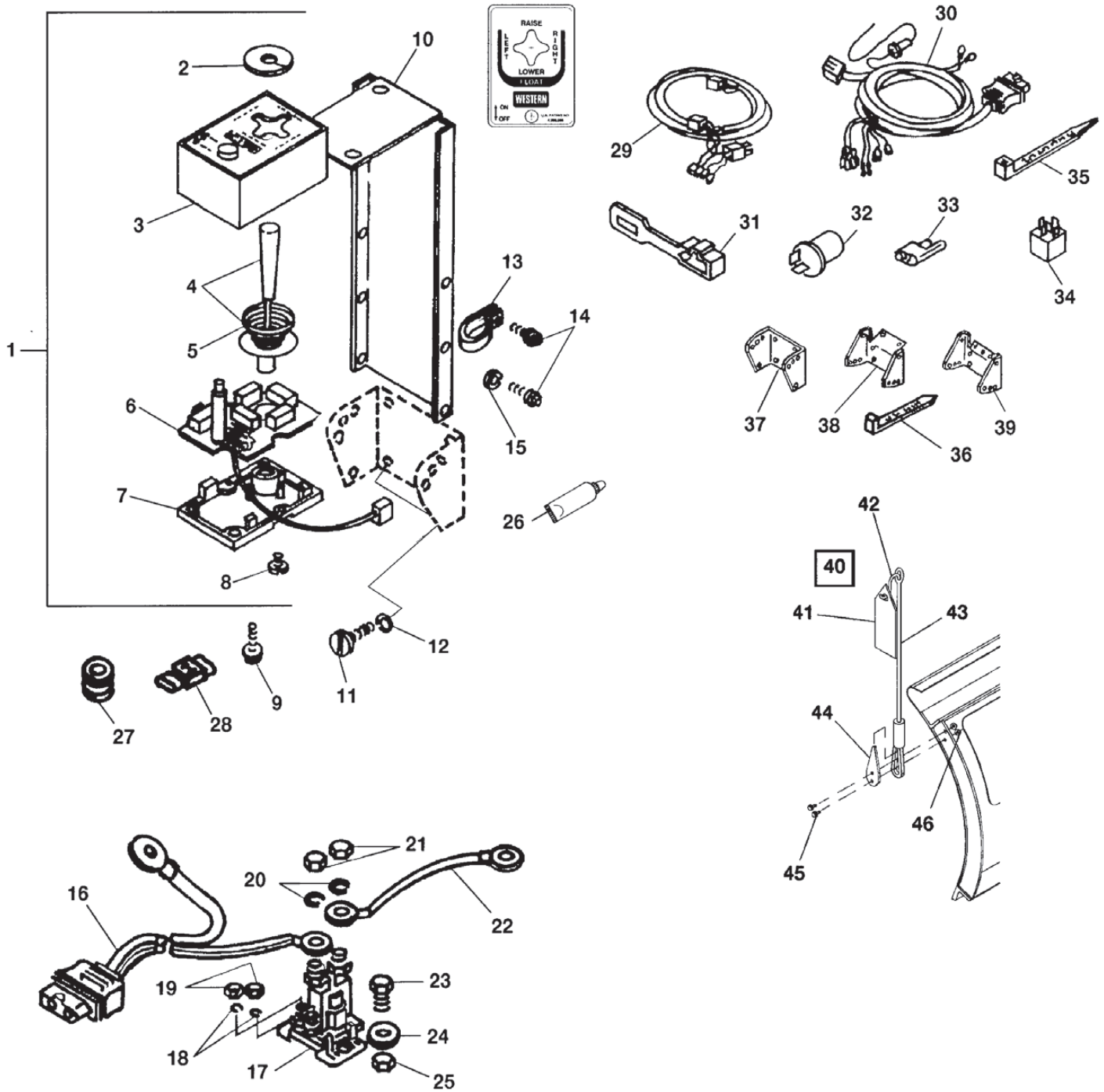
88	61438	1	PLOW HARNESS 9 PIN U
**	61558	1	PLOW HARNESS 12 PIN U
89	61543	1	HEADLAMP PAIR U (Without Plow Harness)
90	. 61541	1	HEADLAMP DS U
91	. 61542	1	HEADLAMP PS U
92	. . 49151	1	SWIVEL AND HARDWARE ASSY
93	. . . 49012	1	HEADLAMP SWIVEL
94	. . 49298	1	HEADLAMP HOUSING ASSY(Fits DS or PS)
95	. . 49297	1	REPLACEMENT SEALED BEAM (2E1)
96	. . 49210	1	HEADLAMP GASKETS (1 PAIR)
97	. . 49201	1	RETAINING FINGER & FASTENER (4 EA)
98	. . 49203	1	BEZEL W/FASTENERS (DS OR PS)
99	. . 49202	1	PARK/TURN LENS W/FASTENERS
**	49362	1	PARK/TURN REPLACEMENT SOCKETS
**		4	PARK/TURN SIGNAL BULB (TRADE NUMBER 1157)

\*\* Not shown

## Abbreviations

AD	Adapter
ASSY	Assembly
BP	Black Phosphate
BPO	Black Phosphate & Oil
BRG	Bearing
BZP	Black Zinc Phosphate
CS	Cap Screw
DS	Driver Side
EA	Each
G	Grade
HD	Heavy Duty
HSG	Housing
HX	Hex
HXW	Hex Washer
LK	Lock
NPSM	American Standard Straight Pipe Threads for Mechanical Joints
NPTF	National Pipe Thread (Fluid)
NYIS	Nylon Insert
PC	Printed Circuit
PH	Phillips Head
PN	Pan
PS	Passenger Side
PT	Prevailing Torque
SL	Slotted
SO	Socket Head
SOL	Solenoid
SP	Spring
SPDT	Single Pole Double Throw
SQ	Square
SYS	System
TCTS	Thread Cutting Tapping Screw
STD	Standard
TFTS	Thread Forming Tapping Screw
TRTS	Thread Rolling Tapping Screw
TY	Type
U	UniMount® System
W/	With
W/O	Without
ZP	Zinc Plate
ZYC	Zinc Yellow Chromate

# VEHICLE COMPONENTS PARTS DIAGRAM



# VEHICLE COMPONENTS PARTS LIST

ITEM	PART NO.	QTY.	DESCRIPTION	ITEM	PART NO.	QTY.	DESCRIPTION
1	56369	1	SOLENOID CONTROL KIT	30	62502	1	VEHICLE HARNESS KIT 7-PIN
2	56283	1	SHIELD		61437	1	VEHICLE HARNESS KIT 9-PIN
3	49286	1	BODY W/LABEL & LENS (Style 2)		62512	1	VEHICLE HARNESS KIT 9-PIN LG U
4	49287	1	LEVER, SPRING & ACTUATOR KIT		61557	1	VEHICLE HARNESS KIT 12-PIN
5	55923	1	SPRING – CONICAL		62522	1	VEHICLE HARNESS KIT 12-PIN LG U
6	56369	1	SOLENOID CONTROL KIT	31	61548	2	PLUG COVER
	49283	1	PC BOARD – MOLEX Style 2 WHITE	32	60109	1	FLASHER HD
7	56199	1	BASE	33	59224	3	BULLET RECEPTACLE CONNECTOR
8	93153	2	#6-19X3/8 SL HXW TFTS HILO	34	61535	2	RELAY SPDT
9	93154	2	#8-18X5/8 SL HXW TFTS HILO BPO	35	59223	8	CABLE TIE
10	56308	1	CONTROL BRACKET	36	61536	2	CABLE TIE – LONG
11	90388	4	#10X1 PH PN TFTS TY AB BZP	37	56080	1	DASH BRACKET
12	91242	4	#10 SP LK WASHER BZP	38	56081	1	DASH BRACKET
13	55381	1	CABLE CLAMP	39	56082	1	DASH BRACKET
14	93157	5	#8-32X3/8 SL HXW TCTS TY T BP	40	59697	2	BLADE GUIDE ROD, S-HOOK & FLAG
15	91231	4	#8 SP LK WASHER BP	41	59694K	1	BLADE GUIDE FLAG
16	61169	1	VEHICLE CABLE ASSEMBLY	42	59696	1	S-HOOK
17	56131K	1	RELAY – SOLENOID HYDRAULIC SYS	43	59691	1	BLADE GUIDE ROD
18	91242	2	#10 SP LK WASHER BZP	44	59946	2	CLAMP
19	91402	2	#10-32 HX NUT ZP	45	68494	4	5/16-18X1 HX CS G5 ZP
20	91202	2	5/16 SP LK WASHER ZP	46	91332	4	5/16-18 PT HX LK NUT NYIS ZYC
21	92842	2	5/16-24 HX JAM NUT ZP				
22	22511	1	BATTERY CABLE 22" RED				
23	90461	2	1/4-20X3/4 HX CS G5 ZP				
24	91101	2	1/4 PLAIN WASHER TY A STD ZP				
25	91331	2	1/4-20 PT HX LK NUT NYIS ZP				
26	56099	1	DIELECTRIC GREASE TUBE				
	49326	1	WESTERN® DIELECTRIC GREASE TUBE (2 oz)				
27	66130	2	RUBBER GROMMET				
28	59114	1	SELF STRIP WIRE CONNECTOR				
29	61546	1	PLUG-IN HARNESS 2B/SD U -A				
	61556	1	PLUG-IN HARNESS 2B/SD U -B				
	61566	1	PLUG-IN HARNESS 1A & 2A U -A				
	61571	1	PLUG-IN HARNESS HB-1 (9004) U -A				
	61576	1	PLUG-IN HARNESS 2E U -C				
	61581	1	PLUG-IN HARNESS LF & UF U -A				
	61586	1	PLUG-IN HARNESS HB-3 & HB-4 U -B				
	61591	1	PLUG-IN HARNESS HB-5 -A				
	61716	1	PLUG-IN HARNESS HB-3 & HB-4 U -A				
	61731	1	PLUG-IN HARNESS 2B/2D U -C				
	62511	1	PLUG-IN HARNESS 2B/2D LG U -A				
	62526	1	PLUG-IN HARNESS HB-1 (9004) U -C				

Indented parts are included in the assembly under which they are listed.  
Quantities shown are included with the assembly.

For list abbreviations see page 2.



WESTERN PRODUCTS  
P.O. BOX 245038  
MILWAUKEE, WI 53224-9538

 A DIVISION OF DOUGLAS DYNAMICS, L.L.C.

Copyright © 2008 Douglas Dynamics, L.L.C. All rights reserved. This material may not be reproduced or copied, in whole or in part, in any printed, mechanical, electronic, film or other distribution and storage media, without the written consent of Western Products. Authorization to photocopy items for internal or personal use by Western Products outlets or snowplow owner is granted.

Western Products reserves the right under its product improvement policy to change construction or design details and furnish equipment when so altered without reference to illustrations or specifications used. Western Products or the vehicle manufacturer may require or recommend optional equipment for snow removal. Do not exceed vehicle ratings with a snowplow. Western Products offers a limited warranty for all snowplows and accessories. See separately printed page for this important information. The following are registered (®) or unregistered (™) trademarks of Douglas Dynamics, L.L.C.: UNIMOUNT®, WESTERN®.