



Fisher Engineering

50 Gordon Drive, Rockland, Maine 04841-2139 • www.fisherplows.com

69400

69450

December 1, 2009
Lit. No. 69381, Rev. 01

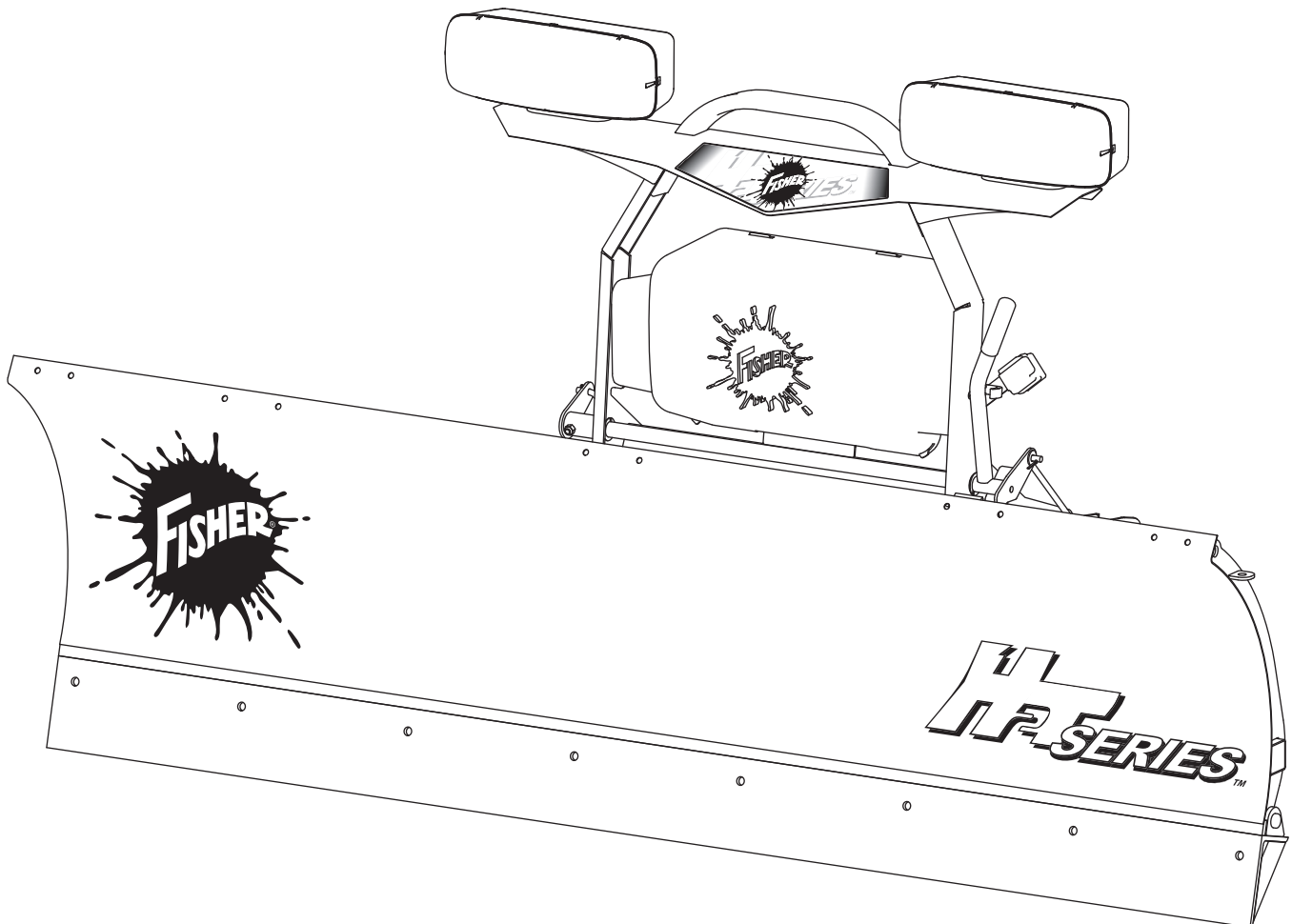
Minute²
SYSTEM

HTTM
SERIES

BLADE AND OFF-TRUCK KIT

HT SeriesTM Snowplow

Parts List



HT Series™ BLADE 4

HT Series OFF-TRUCK KITS 6

 Headgear and A-Frame 6

 Hydraulic Unit 8

 Lift and Angle Rams 10

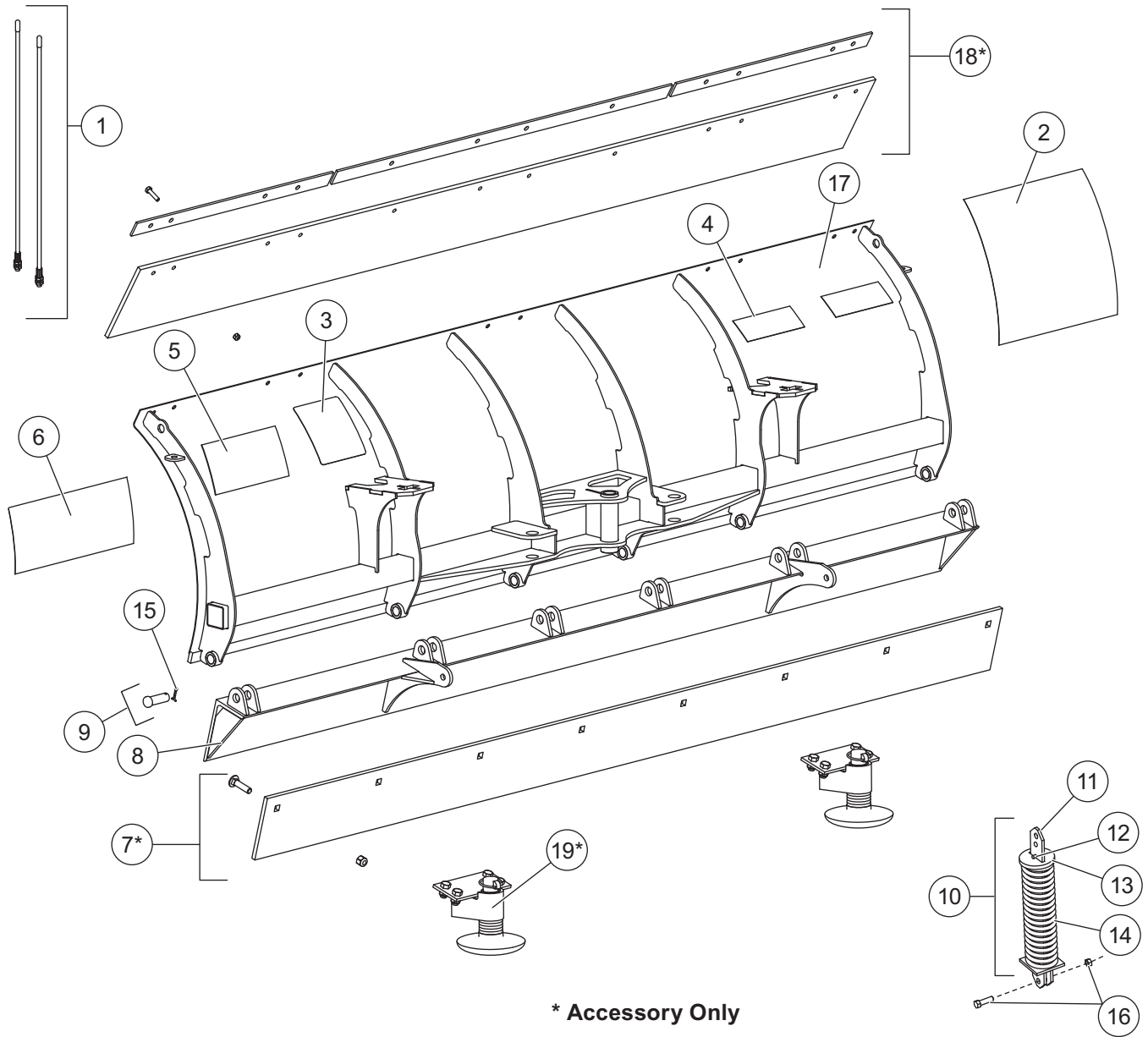
 Hoses and Fittings 10

 Electrical Components 11

 Vehicle-Side Wiring Diagram – 3-Port, 2-Plug Systems 12

 Headlamp Kit 13

Blade Components

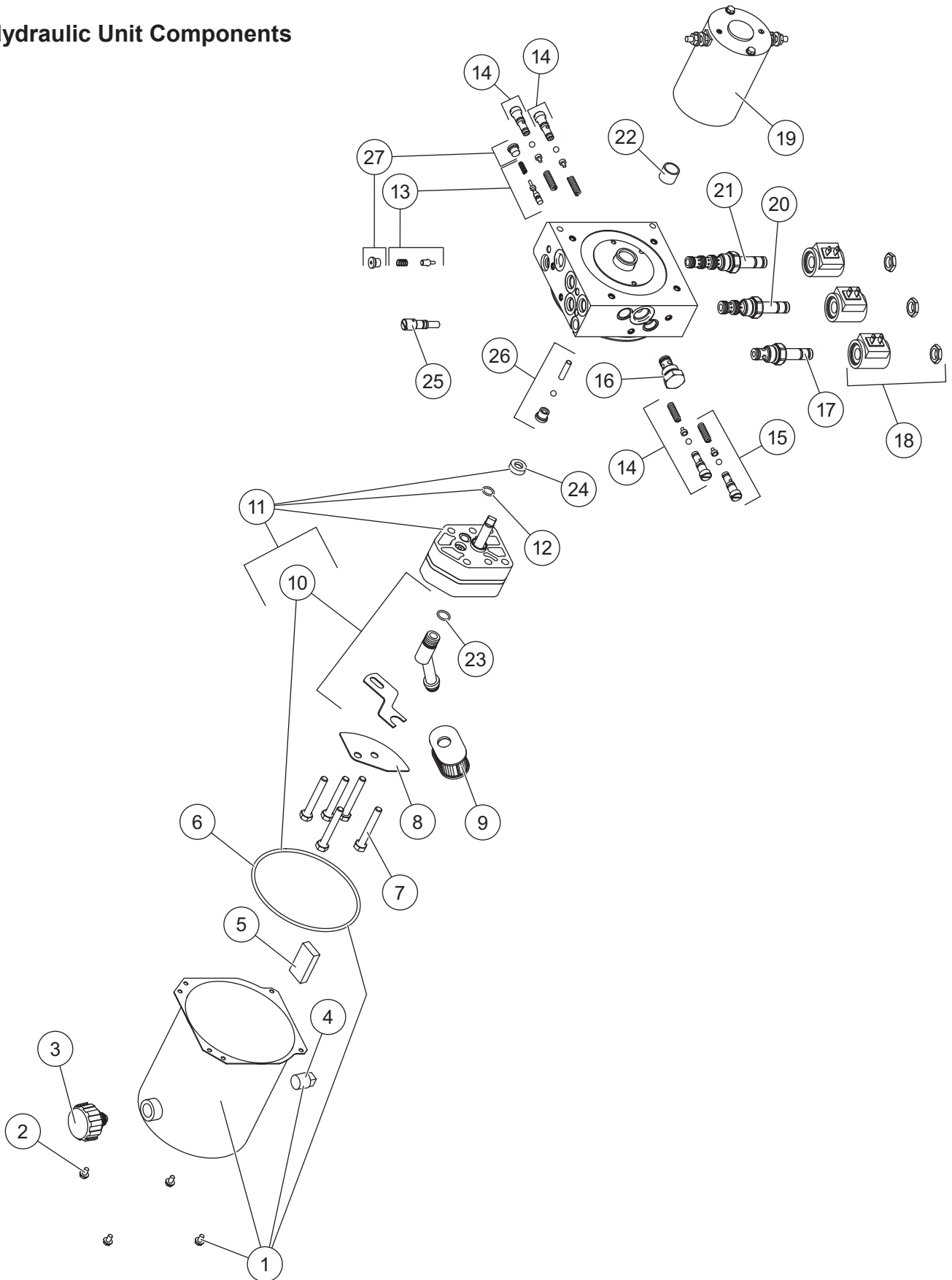


69400 Blade Components							
Item	Part	Qty	Description	Item	Part	Qty	Description
1	7906K	1	Packet – Blade Guide Set	11	21450	2	Removable Spring Bar
2	20238	1	Decal, Splatter 13-1/4 x 14-1/2	12	20181	2	1/4 x 1-1/4 Pin
3	59900	1	Label, Information (Warning)	13	20191	2	Removable Spring Disc
4	26211	1	Label, Identity, STORM GUARD™	14	5323	2	Trip Spring
5	69516	1	Label, Attach/Detach	15	90658	6	5/32 x 1-1/4 Pin
6	96361	1	Label, Identity, HT Series™	16	40905	2	Packet – Shoulder Bolt & Locknut
7*	5532	1	3/8 Steel Cutting Edge Kit – 7-1/2'	17	69700	1	Blade
ns*	50678	1	1/2 Steel Cutting Edge Kit – 7-1/2'	18*	69605	1	Rubber Deflector Kit
ns*	22216	1	1" Poly Cutting Edge Kit – 7-1/2'	19*	27880	1	Shoe Kit (Pair)
8	69622	1	Base Angle Kit	ns*	69660	1	SnoFoil® Assembly Kit
9	5523K	6	3/4 x 2-3/16 Machine Pin w/Cotter	ns*	44405	1	Curb Guard Kit (Pair)
10	21452	2	Removable Spring Assembly				
* = Accessory Only				ns = not shown			

HT Series™ Headgear and A-Frame Components							
Item	Part	Qty	Description	Item	Part	Qty	Description
1	821	2	3/4 x 3-1/2 Compression Spring	18	69667	1	Bolt Kit
2	26219	1	Clevis Pin Kit	19	90043	1	3/8-16 x 2 Hex Cap Screw G5
3	26833	2	1 x 6-15/16 Pin	20	90105	1	1/2-13 x 3 Hex Cap Screw
4	27535	1	Handle Cover Kit	21	90315	4	3/8 Flat Washer
5	8284K	1	Cable Boot	22	90658	5	5/32 x 1-7/8 Machine Pin Packet
6	69371	1	Headgear Decal	23	91333	1	3/8-16 Hex Locknut GB
7	69683	1	Link Arm	24	91335	1	1/2-13 Hex Locknut
8	69518	1	Headgear	25	91902	1	1/8 x 1 Cotter Pin
9	69606	1	Handle – Link Arm Assembly	26	27162K	1	Stop Clip Kit
10	69607	2	Clevis Pin Kit	27	27163K	1	Bushing Kit (2 Bushings)
11	69617	1	Stand Leg Kit	28	27166K	1	Wire Cam Kit – DS
12	69618	1	Stand Pin Release Kit	29	27167K	1	Wire Cam Kit – PS
13	69619	1	Stand Spring Release Handle	30	27168K	2	Connecting Pin Kit
14	69625	1	Stand Assembly	31	22260	2	1 x 4-3/4 Clevis Pin
15	69650	1	Hydraulic Cover	32	90601	2	1/4 x 1-1/2 Cotter Pin
16	69523	1	A-Frame	33	50653	1	Lift Ram Pin Kit (Base)
17	69666	2	Pin Kit	34	69669	1	Lift Ram Pin Kit (Rod)

G = Grade

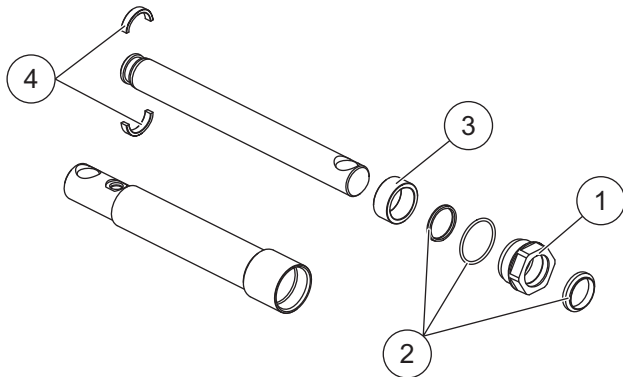
Hydraulic Unit Components



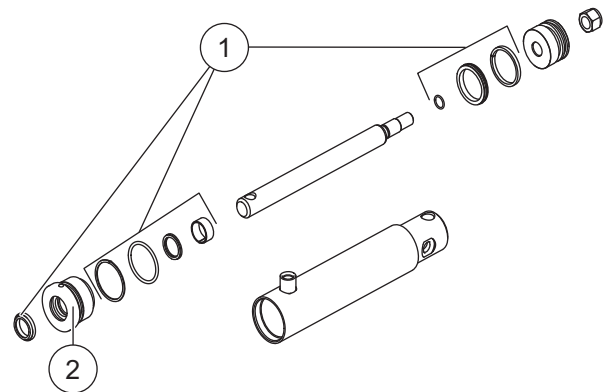
48552 HT Series™ Hydraulic Unit							
48553 HT Series Hydraulic Unit Service Kit‡							
Item	Part	Qty	Description	Item	Part	Qty	Description
1	48538	1	Reservoir Kit	14	7629K-3	2	Relief Valve Kit (2 Sets)
2	66607	4	10-24 x 5/16 Machine Screw Slotted Hex Washer Head	15	27792-1	1	Relief Valve Repair Kit
3	21727-2	1	Breather 3/8 NPT Kit	16	44333-1	1	Check Valve CV08-20
4	92079	1	Plug 3/8 NPTF	17	7634K-2	1	Valve 2-Way w/Nut
5	73897	1	Magnet	18	7639K-2	3	Coil w/Spade Terminals
6	66519	1	O-Ring 2 – 250	19	48543	1	Motor Assembly 3"
7	90073	5	5/16-18 x 2-1/4 Hex Cap Screw G5	20	66608K-1	1	Cartridge Valve 3-Way w/Nut
8	48464	1	Plate Baffle	21	7637K-1	1	Cartridge Valve 4-Way w/Nut
9	26781-3	1	Suction Filter	22	64596	1	Bearing, Sleeve
10	66763-1	1	Inlet Fitting/Filter Kit	23	56416	1	O-Ring – 014
11	21501K-1	1	Hydraulic Pump Kit – IA	24	66515	1	Pump Shaft Seal
12	56274	1	O-Ring – 013	25	48517	1	Quill
13	7630K	1	Poppet Check Valve Kit	26	48518	1	Check Valve Assembly
				27	92960	2	3/8-24 O-Ring Boss Plug
O-Ring Service Kits							
ns	7632K-3	–	O-Ring & Back-Up Ring Kit	ns	49259-2	–	Seal Kit Cartridge 3-Way and 4-Way Valve
ns	49258-2	–	Seal Kit 2-Way Valve				
ns = not shown				G = Grade			

‡ Includes 48552 Hydraulic Unit and Plow-Side Electrical Components (p. 11)

Lift and Angle Ram Components

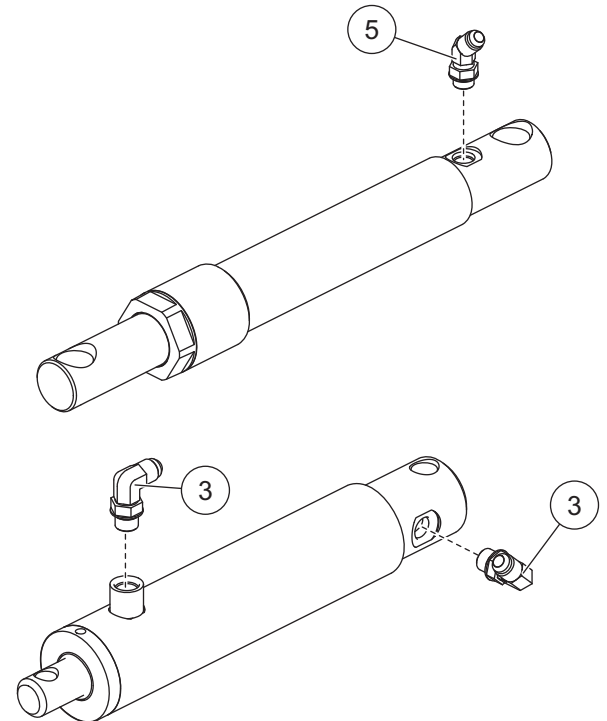
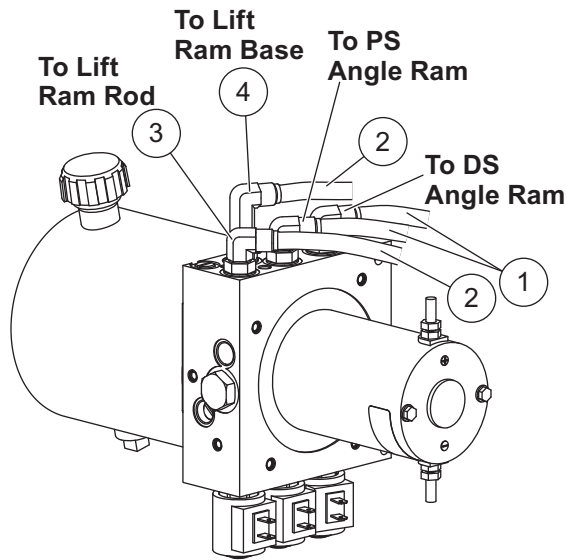


69670 Ram Assembly 1-1/2 x 8			
Item	Part	Qty	Description
1	56555	1	Gland Nut – PolyPak Seal
2	56556	1	PolyPak Seal Kit 1-1/2"
3	56537	1	Spacer
4	20118K	1	Split Bearing Kit



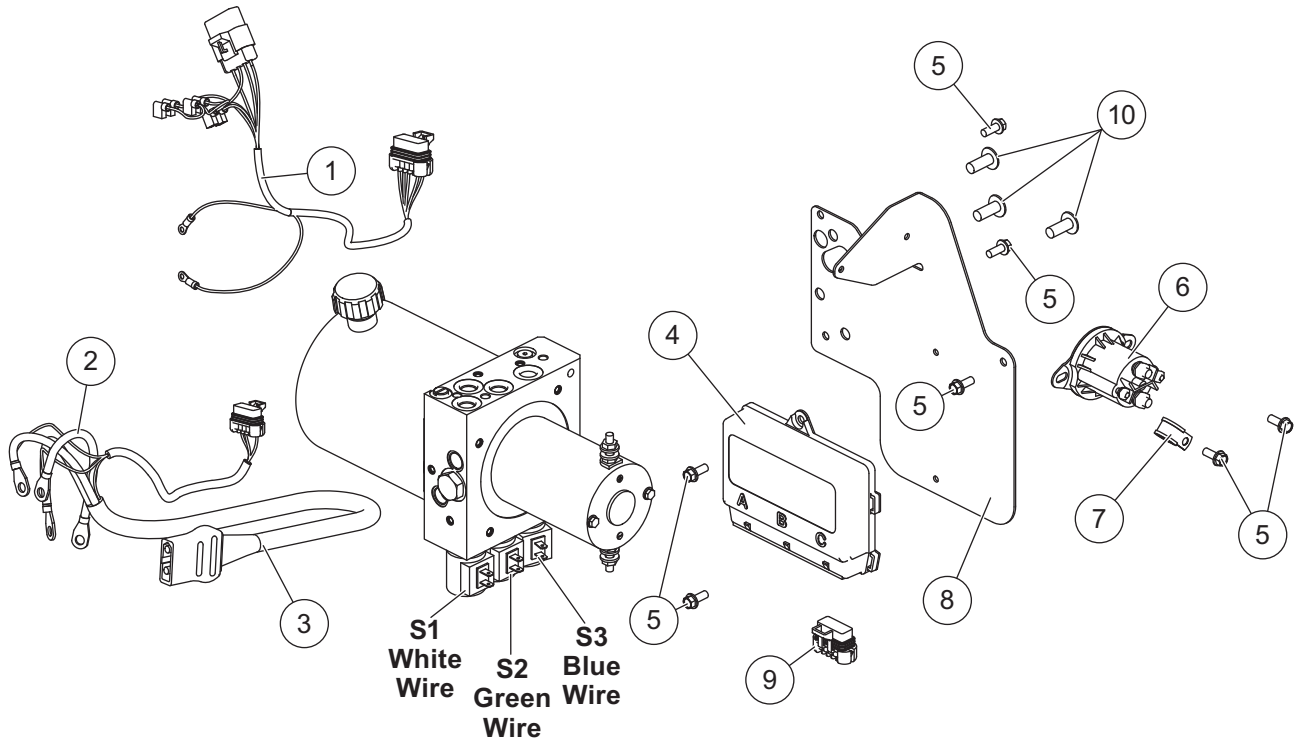
69668 Ram Assembly 2 x 6-3/4 DA			
Item	Part	Qty	Description
1	48520	1	Seal Kit 2 x 6-3/4 DA
2	48451	1	Gland 1"

Hoses and Fittings



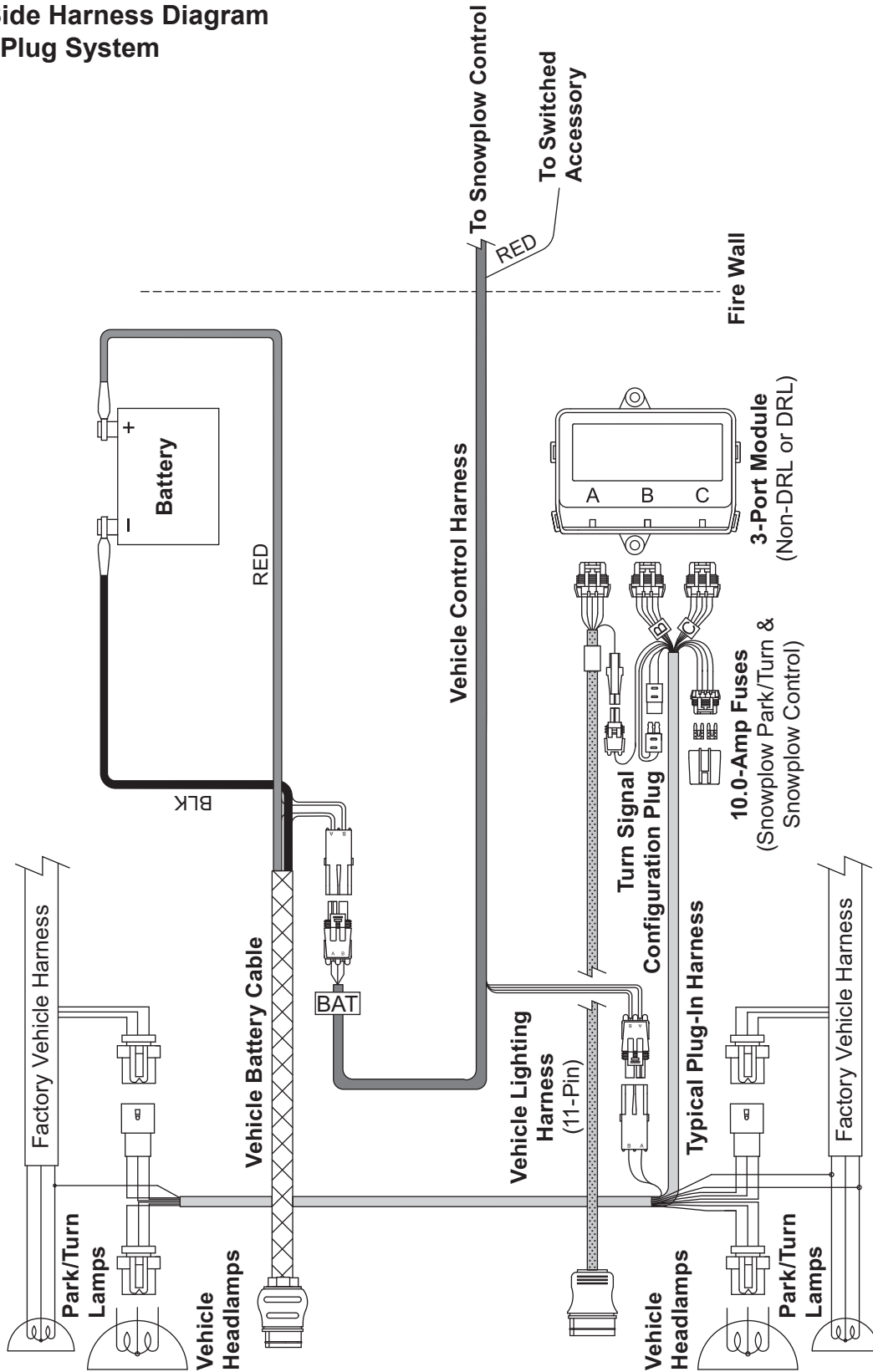
Hoses and Fittings							
Item	Part	Qty	Description	Item	Part	Qty	Description
1	56710	2	1/4 x 32 Hose w/FJIC Ends	4	44361	1	Elbow, Long 90° –6M O-Ring/MJIC
2	56830	2	1/4 x 22 Hose w/FJIC Ends	5	56726	2	Elbow 45° –6M O-Ring/MJIC
3	56725	5	Elbow 90° –6M O-Ring/MJIC	ns	56823	1	Hose Wrap
			F = Female			M = Male	
						ns = not shown	

Electrical Components

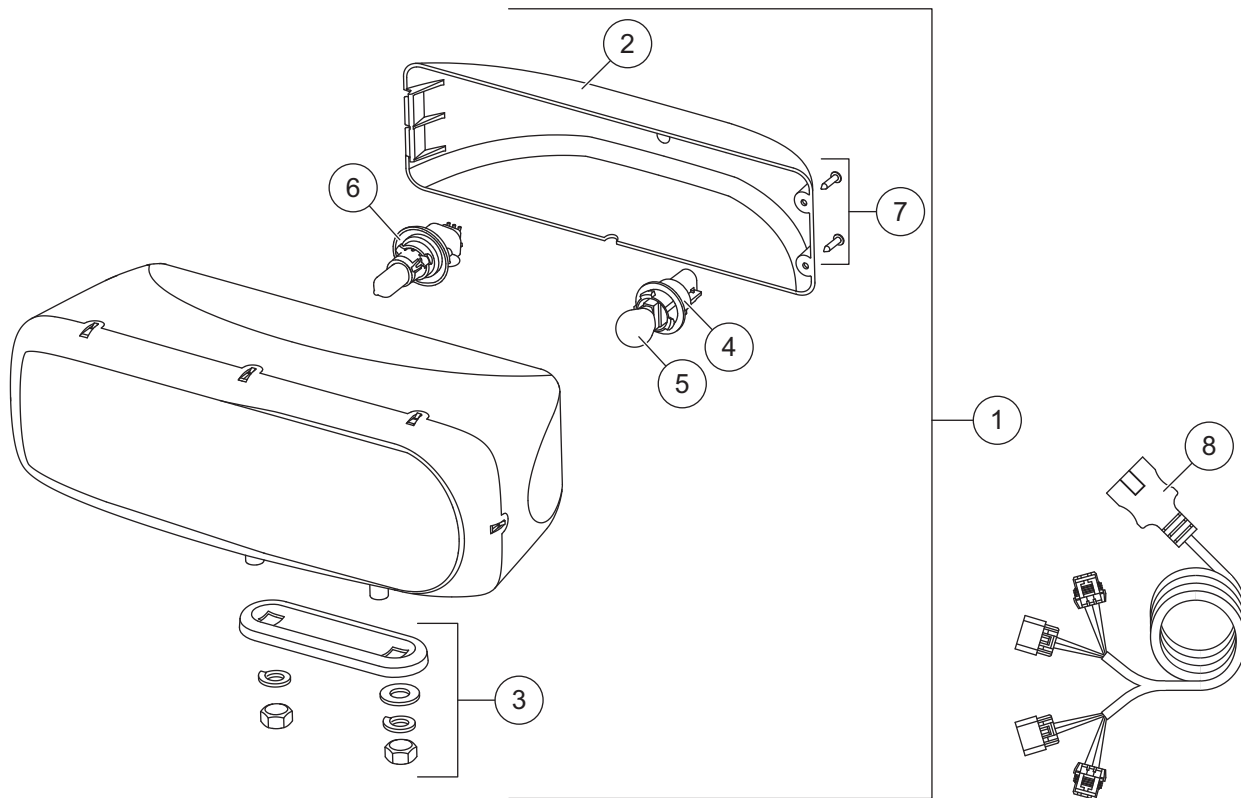


Plow-Side Electrical Components							
Item	Part	Qty	Description	Item	Part	Qty	Description
1	28581-1	1	Harness Plow Control 3 Solenoid	6	5794K-1	1	Motor Relay Kit
2	29071	1	Cable Assembly 8"	7	65340	1	Clamp Loop #10
3	42015	1	Plow Battery Cable	8	48522	1	Hydraulic Plate
4	44354-3	1	Plow Module	9	48444	1	Connector Assembly 10-Position Plug
5	43988	7	1/4-20 x 3/8 Hex Washer Head Thread Rolling Screw	10	98043	3	3/8-16 x 1 Button Cap Screw
Vehicle-Side Electrical Components							
*	42014	1	Vehicle Battery Cable	ns	8291K	2	Plug Cover
*	28587	2	Vehicle Control Harness				
* For diagram see Vehicle-Side Harness Diagram				ns = not shown			

**Vehicle-Side Harness Diagram
3-Port, 2-Plug System**



Headlamp Kit



28800-1 Headlamp Kit (Pair)							
Item	Part	Qty	Description	Item	Part	Qty	Description
1	28801-1	1	Headlamp Service Kit – DS	5	28805	2	Park/Turn Bulb (Trade No. 4157NAK)
ns	28802-1	1	Headlamp Service Kit – PS	6	28806	2	H13 Headlamp Bulb Service Kit
2	28803-1	2	Rear Cover Kit (fits 2 or 3 screw)	7	28808-1	2	Cover Screws Service Kit (3 screws)
3	28804	2	Mounting Hardware Kit	8	28213K	1	Harness Service Kit
4	28805	2	Park/Turn Socket Service Kit				

ns = not shown

Copyright © 2009 Douglas Dynamics, L.L.C. All rights reserved. This material may not be reproduced or copied, in whole or in part, in any printed, mechanical, electronic, film or other distribution and storage media, without the written consent of Fisher Engineering. Authorization to photocopy items for internal or personal use by Fisher Engineering outlets or snowplow owner is granted.

Fisher Engineering reserves the right under its product improvement policy to change construction or design details and furnish equipment when so altered without reference to illustrations or specifications used. Fisher Engineering or the vehicle manufacturer may require or recommend optional equipment for snow removal. Do not exceed vehicle ratings with a snowplow. Fisher Engineering offers a limited warranty for all snowplows and accessories. See separately printed page for this important information. The following are registered (®) or unregistered (™) trademarks of Douglas Dynamics, L.L.C.: FISHER®, HT Series™, Minute Mount® 2, SnoFoil®, STORM GUARD™.

Printed in U.S.A.
