



PRO-FLO™ 525

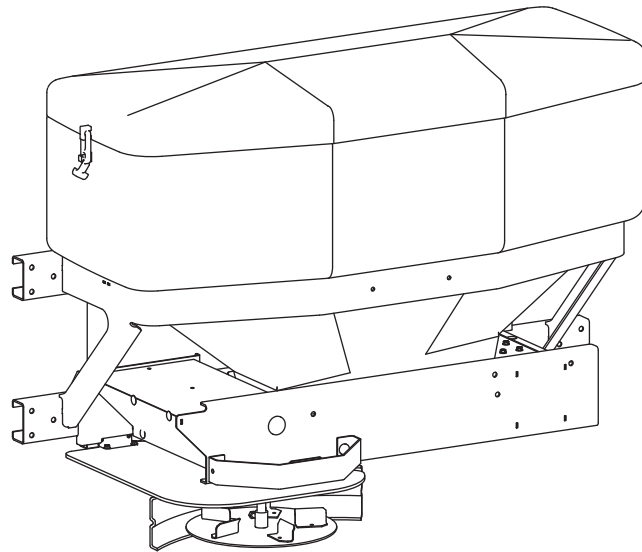
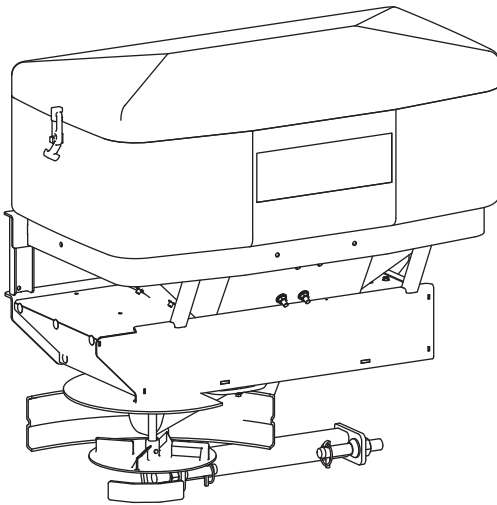
PRO-FLO™ 900

Hopper and Drive Components

**PRO-FLO™ 525, PRO-FLO™ 900
Low-Profile Tailgate Spreader**

#91800, 91850

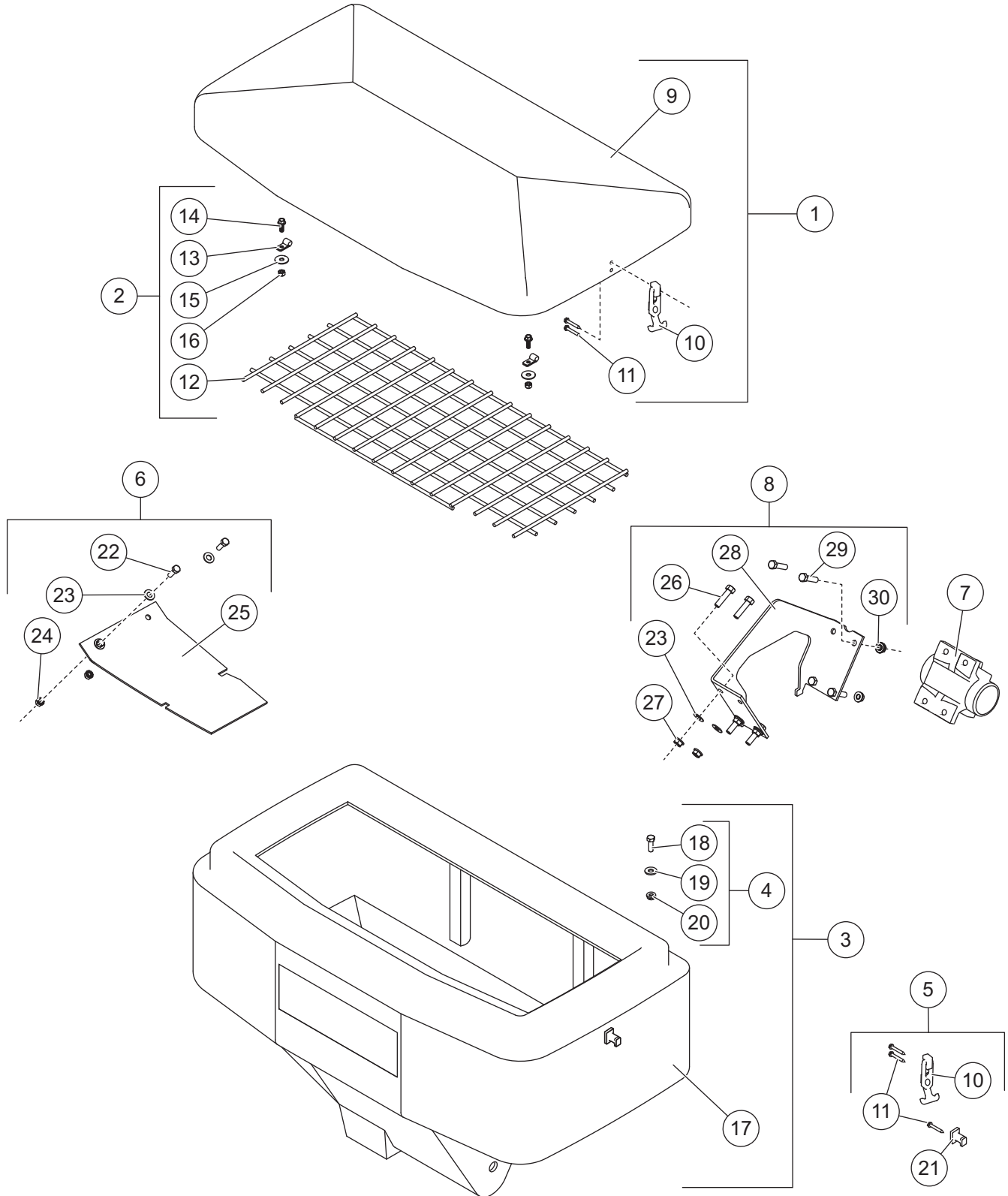
Parts List



This Parts List is for WESTERN® PRO-FLO 525 and PRO-FLO 900 Low-Profile Tailgate Spreaders with serial numbers beginning with 160801 through 170503.

PRO-FLO™ 525 TAILGATE SPREADER

HOPPER, VIBRATOR & BAFFLE



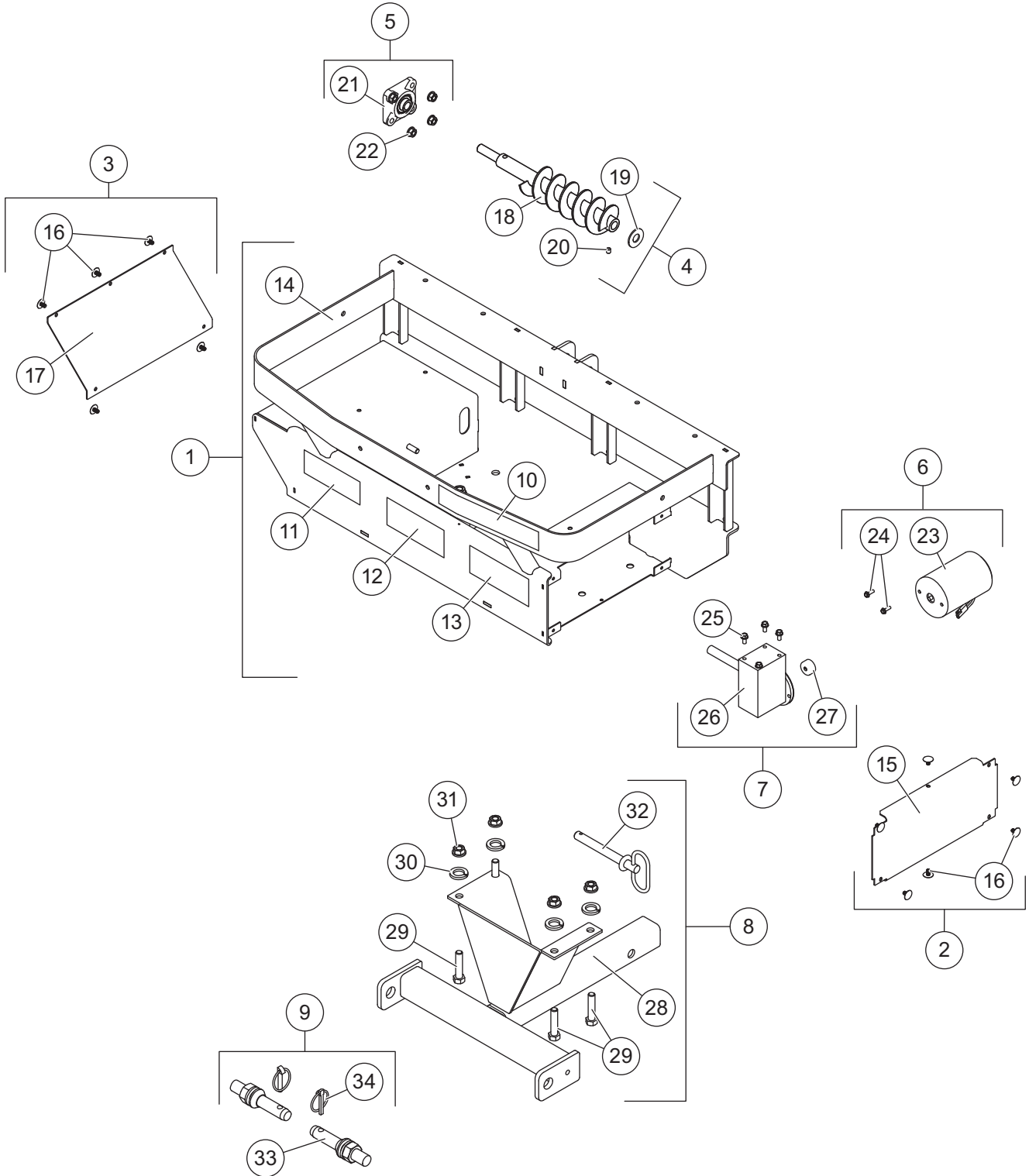
PRO-FLO™ 525 TAILGATE SPREADER

Hopper, Vibrator & Baffle							
Item	Part	Qty	Description	Item	Part	Qty	Description
1	75630	1	Lid Kit	5	75612	1	Hopper Strap Kit
2	75655	1	Top Screen Kit 30 x 14	6	75657	1	Baffle Kit
3	75906*	1	Hopper Kit PRO-FLO 525	7	75673	1	Vibrator – DC-80
4	75659	1	Hopper Hardware Kit	8	75658	1	Vibrator Mount Kit
Item 1				75630 Lid Kit			
9		1	Lid Assembly	11		4	#10 x 3/4 Hex Washer-Head Tapping Screw SS
10		2	Flexible Draw Latch				
Item 2				75655 Top Screen Kit 30 x 14			
12		1	Top Screen 30 x 14	15		2	1/4 x 1 Washer
13		2	5/16 Clamp	16		2	1/4 Hex Locknut SS
14		2	1/4-20 x 3/4 Serrated Flange Hex Cap Screw SS				
Item 3				75906* Hopper Kit PRO-FLO 525			
4	75659	1	Hopper Hardware Kit	17		1	Hopper, 5.25 ft ³ – Red
Item 4				75659 Hopper Hardware Kit			
18		4	5/16-18 x 1 Hex Cap Screw	20		4	5/16-18 Serrated Flange Nut
19		4	5/16 Flat Washer				
Item 5				75612 Hopper Strap Kit			
10		2	Flexible Draw Latch	21		2	Latch Keeper
11		6	#10 x 3/4 Hex Washer-Head Tapping Screw SS				
Item 6				75657 Baffle Kit			
22		2	5/16-18 x 1-1/4 Hex Cap Screw SS	24		2	5/16-18 Hex Locknut SS
23		2	3/8 Flat Washer SS	25		1	Material Baffle
Item 8				75658 Vibrator Mount Kit			
23		4	3/8 Flat Washer SS	28		1	Vibrator Mount Bracket
26		4	3/8-16 x 1 Hex Cap Screw SS	29		4	3/8-16 x 1-1/2 Hex Cap Screw
27		4	3/8-16 Serrated Flange Nut	30		4	3/8-16 Hex Locknut
SS = Stainless Steel							

* Hopper ships with two latch keepers installed.

PRO-FLO™ 525 TAILGATE SPREADER

FRAME, AUGER & HITCH

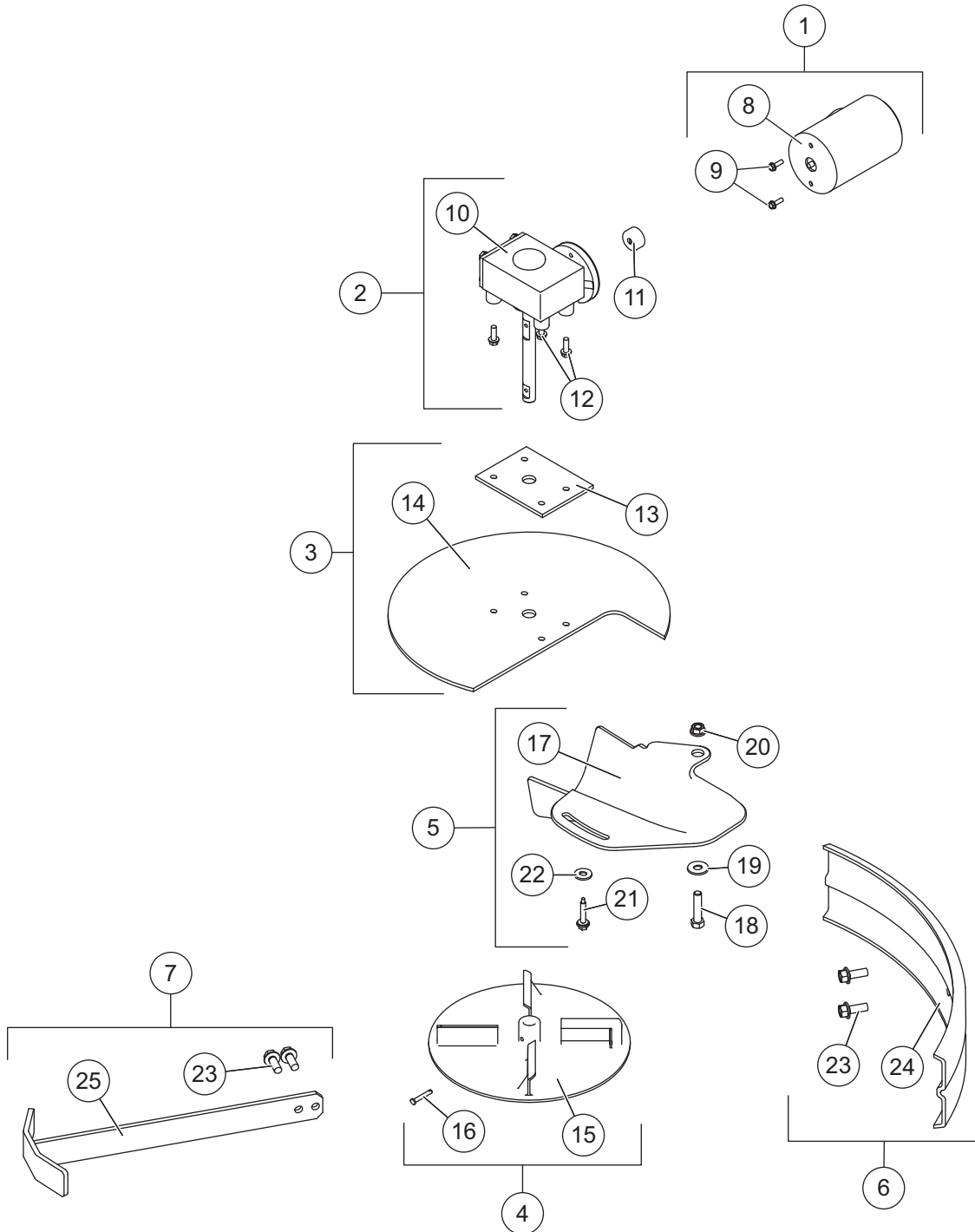


PRO-FLO™ 525 TAILGATE SPREADER

Frame, Auger & Hitch							
Item	Part	Qty	Description	Item	Part	Qty	Description
1	75902	1	Frame Kit	8	75654	1	Hitch Kit
2	75667	1	Side Cover Kit	9	75666	1	Lift Arm Pin Kit
3	75558	1	Spinner Drive Cover Kit	10	42526	1	Label – Logo, PRO-FLO 525
4	75661	1	Auger Kit	11	75621	1	Label – Warning, Hands and Feet
5	75660	1	Bearing Kit	12	75669	1	Label – Warning, Rotating Auger
6	75901	1	Motor Kit	13	75623	1	Label – Warning, Read Manual
7	75670	1	Auger Transmission Kit				
Item 1				75902 Frame Kit			
10	42526	1	Label – Logo, PRO-FLO 525	13	75623	1	Label – Warning, Read Manual
11	75621	1	Label – Warning, Hands and Feet	14		1	Main Frame
12	75669	1	Label – Warning, Rotating Auger				
Item 2				75667 Side Cover Kit			
15		1	Drive Cover	16	79334	6	1/4 x 3/4 x 1/2 Push Retainer Nylon
Item 3				75558 Spinner Drive Cover Kit			
16	79334	6	1/4 x 3/4 x 1/2 Push Retainer Nylon	17		1	Spinner Drive Cover
Item 4				75661 Auger Kit			
18		1	2-5/8 x 14 x 1-3/8 Auger	20		1	5/16-18 x 3/8 Socket Head Set Screw
19		1	5/8 Flat Washer Nylon				
Item 5				75660 Bearing Kit			
21	68662	1	5/8 Bearing, 4-Bolt Flange	22		4	3/8-16 Serrated Flange Nut
Item 6				75901 Motor Kit			
23		1	Motor 12V DC, 3 x 3.8	24		2	#10-32 x 5/8 Serrated Flange Hex Cap Screw w/Patch
Item 7				75670 Auger Transmission Kit			
25		4	1/4-20 x 3/4 Serrated Flange Hex Cap Screw SS	26		1	Transmission 30:1 Worm Gear
				27	79332	1	Motor Drive Coupler
Item 8				75654 Hitch Kit			
28		1	Hitch	31		4	1/2-13 Serrated Flange Nut
29		4	1/2-13 x 1-1/2 Hex Cap Screw	32	75620	1	Hitch Pin
30		4	1/2 Split Lock Washer				
Item 9				75666 Lift Arm Pin Kit			
33		2	7/8 x 5-1/2 Lift Arm Pin	34		2	5/16 x 1-9/16 Linchpin
SS = Stainless Steel							

PRO-FLO™ 525 TAILGATE SPREADER

SPINNER ASSEMBLY & MATERIAL CHUTE

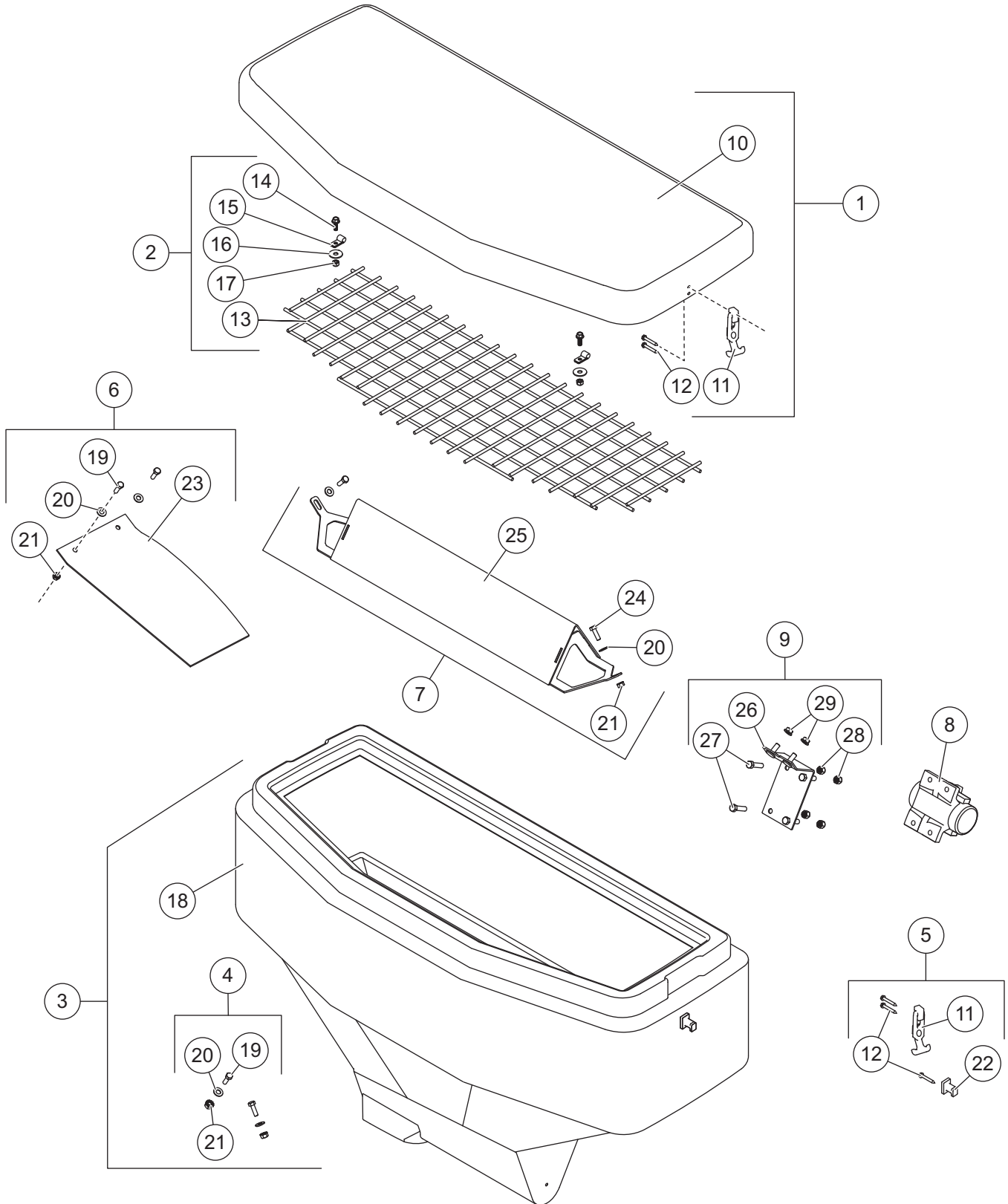


PRO-FLO™ 525 TAILGATE SPREADER

Spinner Assembly & Material Chute							
Item	Part	Qty	Description	Item	Part	Qty	Description
1	75901	1	Motor Kit	5	75662	1	Material Chute Kit
2	75640	1	Spinner Transmission Kit	6	75665	1	Deflector Kit
3	75663	1	CE Guard Kit	7	75672	1	Protector Foot Kit
4	75618	1	Spinner Kit				
Item 1				75901 Motor Kit			
8		1	Motor 12V DC, 3 x 3.8	9		2	#10-32 x 5/8 Serrated Flange Hex Cap Screw w/Patch
Item 2				75640 Spinner Transmission Kit			
10		1	Transmission 8:1 Worm Gear	12		4	1/4-20 x 3/4 Serrated Flange Hex Cap Screw SS
11	79332	1	Motor Drive Coupler				
Item 3				75663 CE Guard Kit			
13		1	CE Guard Spacer	14		1	CE Guard
Item 4				75618 Spinner Kit			
15		1	Spinner 10" Poly	16		1	3/16 x 1-1/4 Detent Clevis Pin
Item 5				75662 Material Chute Kit			
17		1	Material Chute	20		1	1/2-13 Serrated Flange Nut
18		1	1/2-13 x 1-1/2 Hex Cap Screw	21		1	1/4 x 1-1/2 Driller w/R-M Washer
19		1	1/2 Hardened Flat Washer	22		1	5/16 Flat Washer
Item 6				75665 Deflector Kit			
23		2	3/8-16 x 1 Serrated Flange Hex Cap Screw Type F	24		1	Deflector
Item 7				75672 Protector Foot Kit			
23		2	3/8-16 x 1 Serrated Flange Hex Cap Screw Type F	25		1	Spinner Protector Foot
SS = Stainless Steel							

PRO-FLO™ 900 TAILGATE SPREADER

HOPPER, VIBRATOR & INVERTED V



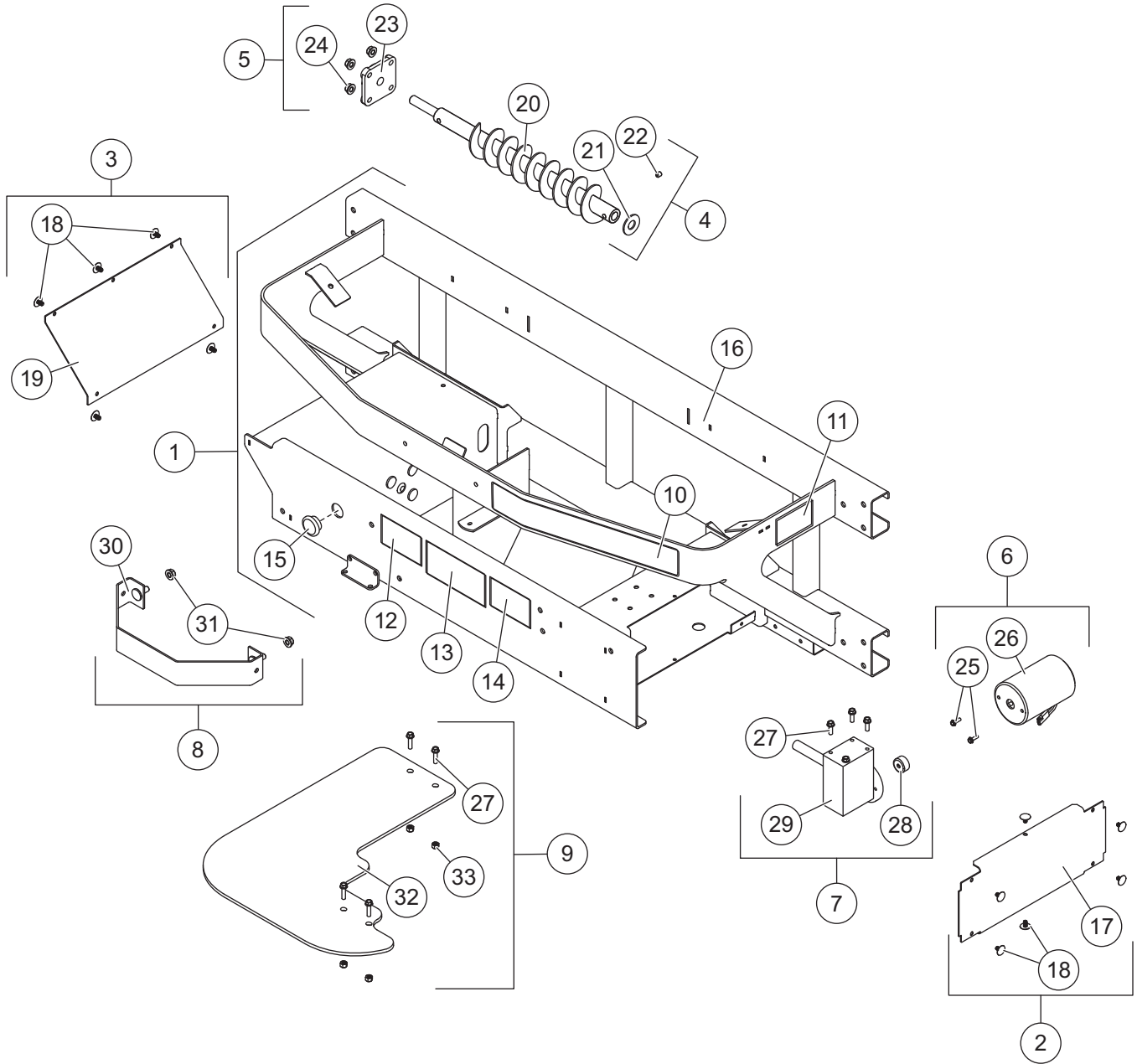
PRO-FLO™ 900 TAILGATE SPREADER

Hopper, Vibrator & Inverted V							
Item	Part	Qty	Description	Item	Part	Qty	Description
1	75677	1	Lid Kit	6	75681	1	Baffle Kit
2	75680	1	Top Screen Kit	7	75682	1	Inverted V Kit
3	75908*	1	Hopper Kit PRO-FLO 900	8	75673	1	Vibrator, DC-80
4	75614	1	Hopper Hardware Kit	9	75683	1	Vibrator Mount Bracket Kit
5	75612	1	Hopper Strap Kit				
Item 1				75677 Lid Kit			
10		1	Lid Assembly	12		4	#10 x 3/4 Hex Washer-Head Tapping Screw SS
11		2	Flexible Draw Latch				
Item 2				75680 Top Screen Kit			
13		1	Top Screen 40 x 44	15		2	5/16 Clamp
14		2	1/4-20 x 3/4 Serrated Flange Hex Cap Screw SS	16	D5952	2	1/4 x 1 Fender Washer SS
				17		2	1/4 Hex Locknut SS
Item 3				75908* Hopper Kit PRO-FLO 900			
4	75614	1	Hopper Hardware Kit	18		1	Hopper, 8.75 ft ³ – Red
Item 4				75614 Hopper Hardware Kit			
19		2	5/16-18 x 1-1/4 Hex Cap Screw SS	21		2	5/16-18 Hex Locknut SS
20		2	3/8 Flat Washer SS				
Item 5				75612 Hopper Strap Kit			
11		2	Flexible Draw Latch	22		2	Latch Keeper
12		6	#10 x 3/4 Hex Washer-Head Tapping Screw SS				
Item 6				75681 Baffle Kit			
19		2	5/16-18 x 1-1/4 Hex Cap Screw SS	21		2	5/16-18 Hex Locknut SS
20		2	3/8 Flat Washer SS	23		1	Material Baffle
Item 7				75682 Inverted V Kit			
20		2	3/8 Flat Washer SS	24		2	5/16-18 x 1 Hex Cap Screw G5
21		2	5/16-18 Hex Locknut SS	25		1	Inverted V
Item 9				75683 Vibrator Mount Bracket Kit			
26		1	Mounting Bracket, Inverted V	28		4	3/8-16 Hex Locknut
27		4	3/8-16 x 1-1/2 Hex Cap Screw	29		2	3/8-16 Serrated Flange Hex Nut
SS = Stainless Steel				G = Grade			

* Hopper ships with two latch keepers installed.

PRO-FLO™ 900 TAILGATE SPREADER

FRAME, AUGER & SPINNER GUARD

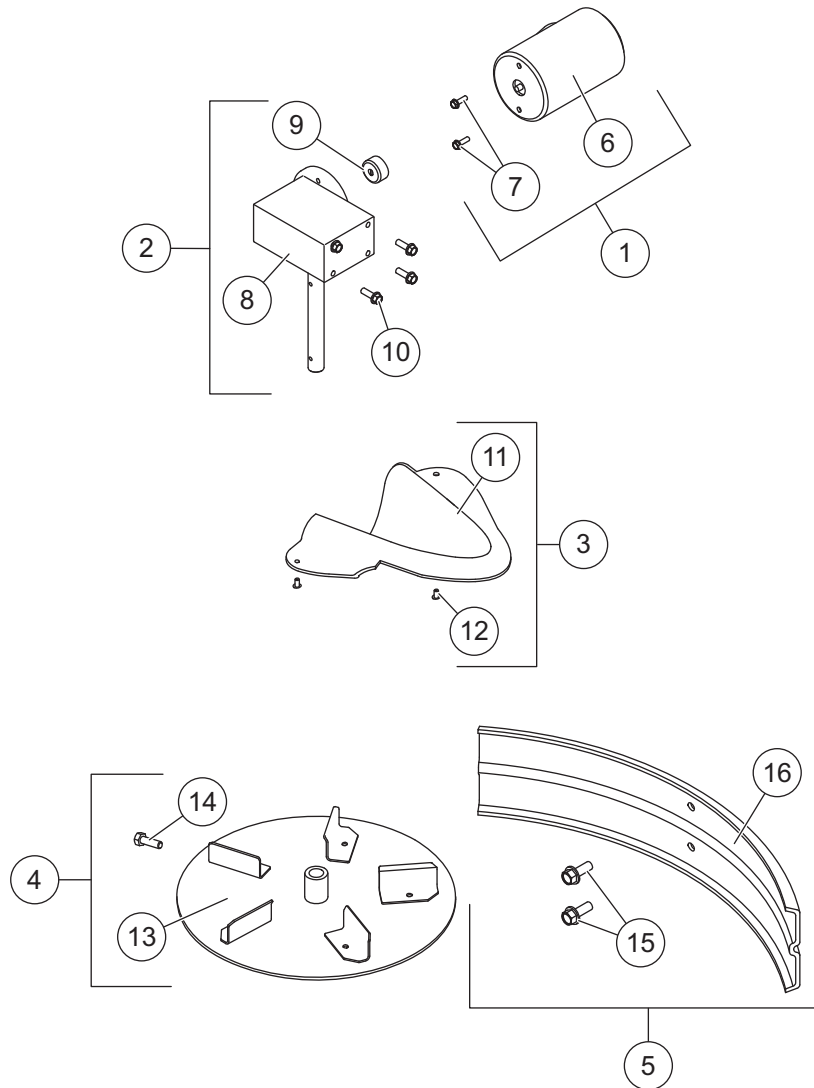


PRO-FLO™ 900 TAILGATE SPREADER

Frame, Auger & Spinner Guard							
Item	Part	Qty	Description	Item	Part	Qty	Description
1	75904	1	Frame Kit PRO-FLO 900	9	75690	1	Spinner Guard Kit
2	75687	1	Side Cover Kit	10	42527	1	Label – Logo, PRO-FLO 900
3	75560	1	Spinner Drive Cover Kit	11	75694	1	Label – Warning, Never Swing Spreader
4	75679	1	Auger Kit	12	75621	1	Label – Warning, Hands and Feet
5	75660	1	Bearing Kit	13	75669	1	Label – Warning, Rotating Auger
6	75901	1	Motor Kit	14	75623	1	Label – Warning, Read Manual
7	75692	1	Auger Transmission Kit				
8	75688	1	Trim Ring Kit				
Item 1				75904 Frame Kit PRO-FLO 900			
10	42527	1	Label – Logo, PRO-FLO 900	13	75669	1	Label – Warning, Rotating Auger
11	75694	1	Label – Warning, Never Swing Spreader	14	75623	1	Label – Warning, Read Manual
12	75621	1	Label – Warning, Hands and Feet	15	75689	1	Bearing Access Cover
				16		1	Main Frame
Item 2				75687 Side Cover Kit			
17		1	Drive Cover	18	79334	6	1/4 x 3/4 x 1/2 Push Retainer Nylon
Item 3				75560 Spinner Drive Cover Kit			
18	79334	6	1/4 x 3/4 x 1/2 Push Retainer Nylon	19		1	Spinner Drive Cover
Item 4				75679 Auger Kit			
20		1	2-5/8 x 20 x 1-3/8 Auger	22		1	5/16-18 x 3/8 Socket Head Set Screw
21		1	5/8 Flat Washer Nylon				
Item 5				75660 Bearing Kit			
23	68662	1	5/8 Bearing, 4-Bolt Flange	24		4	3/8-16 Serrated Flange Nut
Item 6				75901 Motor Kit			
25		2	#10-32 x 5/8 Serrated Flange Hex Cap Screw w/Patch	26		1	Motor 12V DC, 3 x 3.8
Item 7				75692 Auger Transmission Kit			
27		4	1/4-20 x 3/4 Serrated Flange Hex Cap Screw SS	28	79332	1	Motor Drive Coupler
				29		1	Transmission 20:1 Worm Gear
Item 8				75688 Trim Ring Kit			
30		1	Trim Ring	31		2	3/8-16 Serrated Flange Hex Nut
Item 9				75690 Spinner Guard Kit			
27		4	1/4-20 x 3/4 Serrated Flange Hex Cap Screw SS	32		1	Spinner Guard
				33		4	1/4-20 Locknut
SS = Stainless Steel							

PRO-FLO™ 900 TAILGATE SPREADER

SPINNER, CHUTE & DEFLECTOR

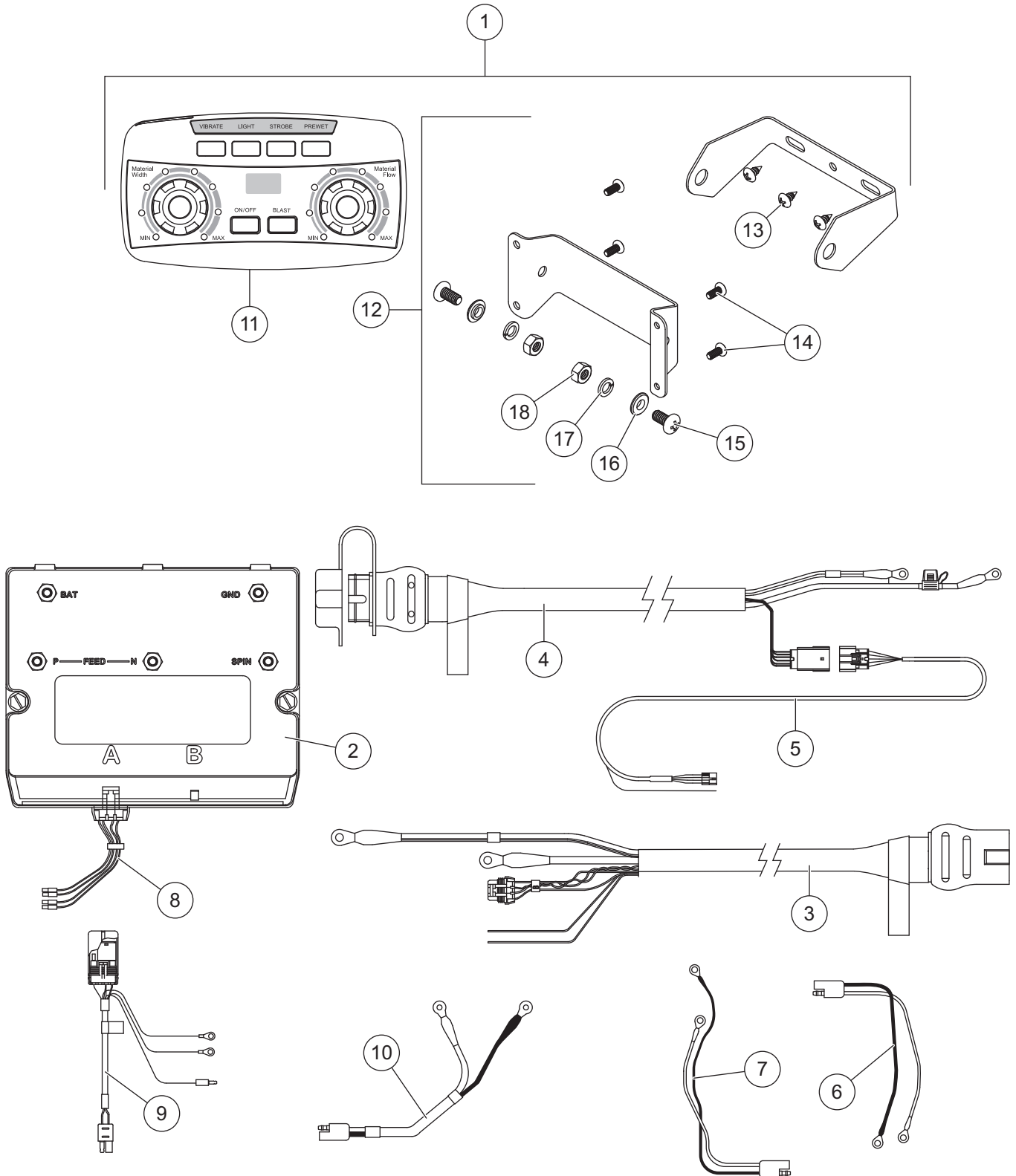


PRO-FLO™ 900 TAILGATE SPREADER

Spinner, Chute & Deflector							
Item	Part	Qty	Description	Item	Part	Qty	Description
1	75901	1	Motor Kit	4	75685	1	Spinner Kit
2	75686	1	Spinner Transmission Kit	5	75665	1	Deflector Kit
3	75691	1	Material Chute Kit				
Item 1				75901 Motor Kit			
6		1	Motor 12V DC, 3 x 3.8	7		2	#10-32 x 5/8 Serrated Flange Hex Cap Screw w/Patch
Item 2				75686 Spinner Transmission Kit			
8		1	Transmission 8:1 Worm Gear	10		4	1/4-20 x 3/4 Hex Cap Screw Serrated Flange SS
9	79332	1	Motor Drive Coupler				
Item 3				75691 Material Chute Kit			
11		1	Material Chute	12		3	3/16 x 0.354 Rivet
Item 4				75685 Spinner Kit			
13		1	12" Spinner, Steel	14		1	5/16-18 x 1/2 Hex Cap Screw
Item 5				75665 Deflector Kit			
15		2	3/8-16 x 1 Serrated Flange Hex Cap Screw Type F	16		1	Deflector
SS = Stainless Steel							

PRO-FLO™ 525, PRO-FLO 900™ TAILGATE SPREADER

ELECTRICAL COMPONENTS



PRO-FLO™ 525, PRO-FLO 900™ TAILGATE SPREADER

Electrical Components							
Item	Part	Qty	Description	Item	Part	Qty	Description
1	52450	1	Spreader Control Kit	7	78399	1	Spinner Motor Harness Rev Pin-Out (900)
2	52375	1	Spreader Module, 5-Post	8	69893	1	10-Pin Connector w/4 Wires
3	72092	1	Spreader Harness, 7-Pin	9	78382	1	Vibrator Harness Assembly
4	72090	1	Vehicle Harness, 7-Pin	10	78397	1	Auger Motor Harness
5	69902	1	Vehicle Control Harness				
6	78398	1	Spinner Motor Harness (525)				
Item 1				52450 Spreader Control Kit			
11	52452	1	Spreader Control	12	52345	1	Control Bracket Kit
Item 12				52345 Control Bracket Kit			
13		3	#10 x 3/8 Pan Head Tapping Screw SS	16		2	1/4 Shoulder Washer SS
14		4	#8 x 3/8 Pan Head Machine Screw	17		2	1/4 Lock Washer SS
15		2	1/4-20 x 1/2 Pan Head Machine Screw SS	18		2	1/4-20 Hex Nut G5
SS = Stainless Steel				G = Grade			

PRO-FLO™ 525, PRO-FLO 900™ TAILGATE SPREADER



Western Products
PO Box 245038
Milwaukee, WI 53224-9538
www.westernplows.com

 A DIVISION OF DOUGLAS DYNAMICS, LLC

Copyright © 2019 Douglas Dynamics, LLC. All rights reserved. This material may not be reproduced or copied, in whole or in part, in any printed, mechanical, electronic, film, or other distribution and storage media, without the written consent of Western Products. Authorization to photocopy items for internal or personal use by Western Products outlets or spreader owner is granted.

Western Products reserves the right under its product improvement policy to change construction or design details and furnish equipment when so altered without reference to illustrations or specifications used. Western Products or the vehicle manufacturer may require or recommend optional equipment for spreaders. Do not exceed vehicle ratings with a spreader. Western Products offers a limited warranty for all spreaders and accessories. See separately printed page for this important information. The following are registered (®) or unregistered (™) trademarks of Douglas Dynamics, LLC: PRO-FLO™, WESTERN®.

Printed in U.S.A.