



**Fisher Engineering**

86400, 86600-3, 86610-3(CH)  
87400, 87600-3

50 Gordon Drive, Rockland, Maine 04841-2139 • www.fisherplows.com

June 1, 2020

Lit. No. 86019, Rev. 08



## **Blade and Off-Truck Kit**

**10'6" XV2™ Snowplow**

**Includes Central Hydraulics Applications**

**Parts List**



**XV2™ BLADE COMPONENTS** ..... 4

**XV2 OFF-TRUCK KITS** ..... 6

    Headgear and T-Frame Components ..... 6

    Hydraulic Unit Components ..... 8

    Hydraulic Unit Cover Assembly ..... 10

    Lift and Angle Ram Components ..... 11

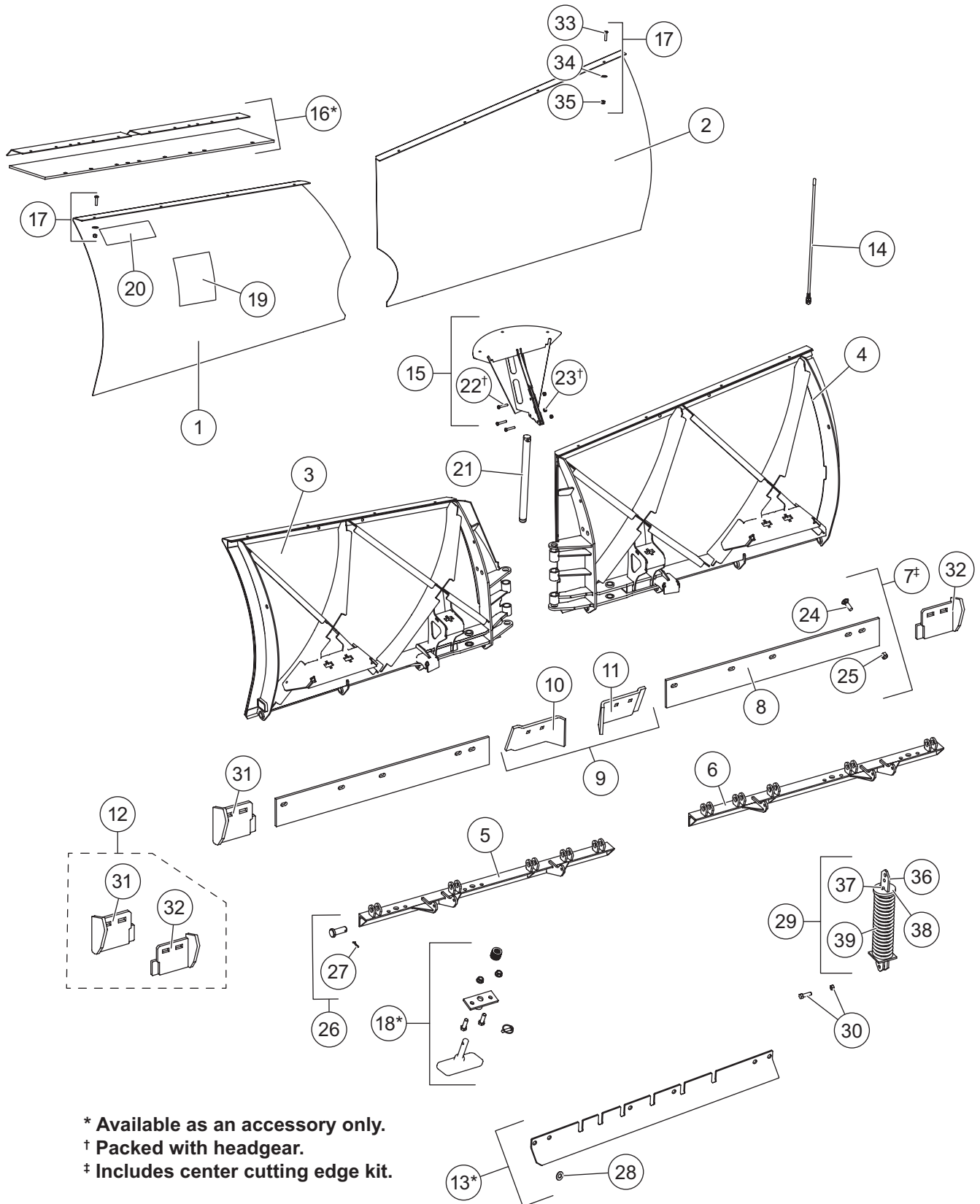
    Hoses and Fittings ..... 12

    Electrical Components ..... 13

    Vehicle-Side Harness Diagrams ..... 14

    Headlamp Kits ..... 16–17

Blade Components



\* Available as an accessory only.  
 † Packed with headgear.  
 ‡ Includes center cutting edge kit.

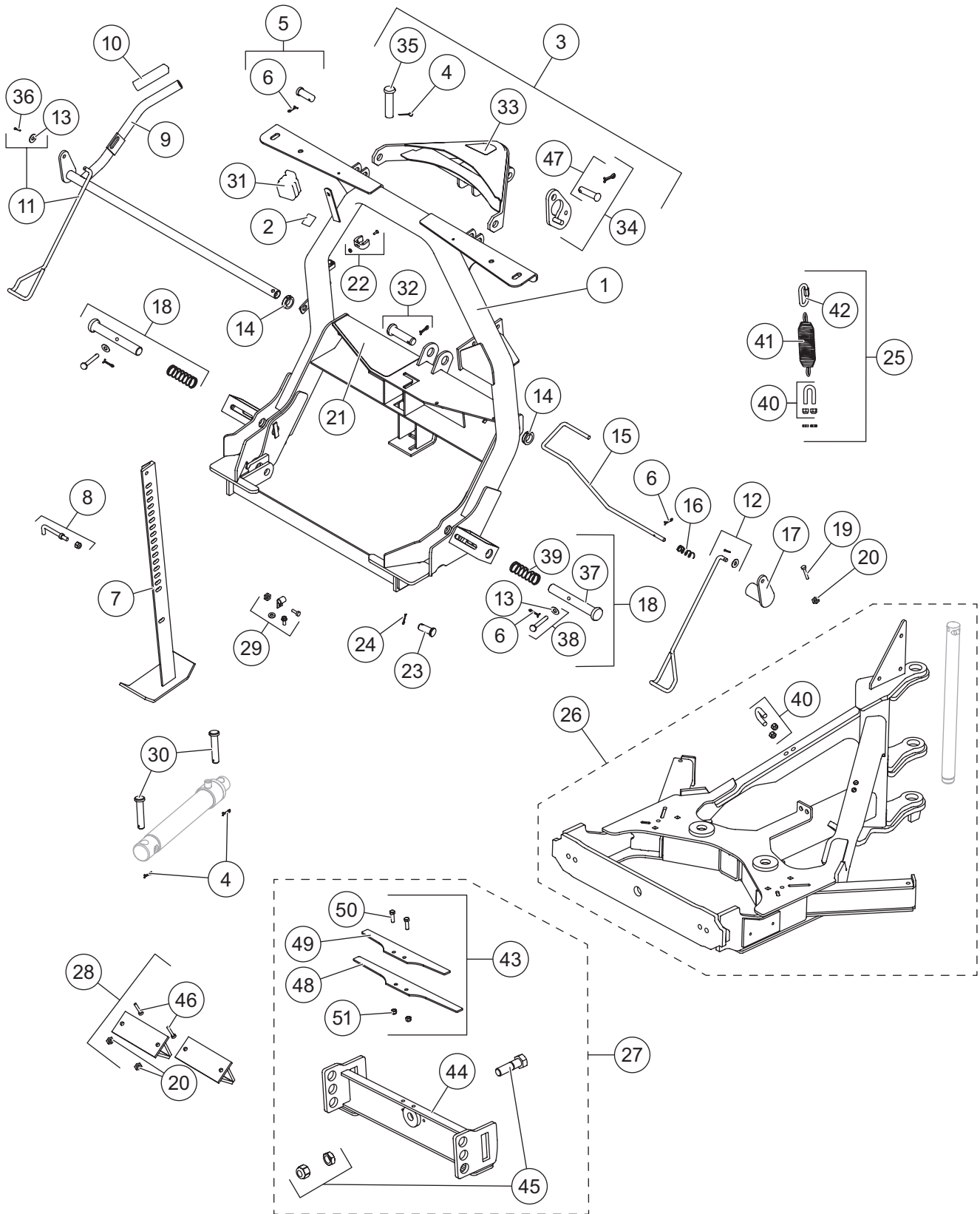
86400/87400 XV2™ Blade Components							
Item	Part	Qty	Description	Item	Part	Qty	Description
1	85660	1	Moldboard Kit (MS) – DS	17	43890	1	Moldboard Fasteners Kit
	85661	1	Moldboard Kit (SS) – DS	18*	50700	2	Shoe Kit
2	85662	1	Moldboard Kit (MS) – PS	19	59900	1	Label – Warning/Caution, Snowplows
	85663	1	Moldboard Kit (SS) – PS	20	26211	1	Label – Logo, STORM GUARD™ (MS)
3	85664	1	Frame, Base Angle & Springs – DS	ns	90257	1	Label – Logo, FISHER® Splatter
4	85665	1	Frame, Base Angle & Springs – PS	ns	43224	2	Label – Logo, XV2
5	85666	1	Base Angle – DS	ns	42490	2	Label Replacement Kit – V-Plows
6	85667	1	Base Angle – PS	ns	86876*	1	Poly Cutting Edge Kit
7‡	44744-2	1	1/2 Cutting Edge Kit w/Fasteners	ns	86870*	2	High Wear Shoe Kit
	86891*	1	5/8 Cutting Edge Kit w/Fasteners	ns	86896*	1	Carbide Cutting Edge Kit
8	44898	2	1/2 Cutting Edge	21	49844	1	Pivot Pin
	85356*	2	5/8 Cutting Edge	22†		3	3/8-16 x 2 Hex Cap Screw G5
9	44894-1	1	Center Cutting Edge Kit w/Fasteners	23†		3	3/8-16 Hex Locknut GB
	85357*	1	5/8 Center Cutting Edge Kit w/Fasteners	24		14	5/8-11 x 2 Carriage Bolt G5
10	44891-1	1	Center Cutting Edge – DS	25		14	5/8-11 Hex Locknut GB
	85351*	1	5/8 Center Cutting Edge – DS	26	27241	8	1 x 2-3/4 Clevis Pin w/Cotter (incl. item 27)
11	44890-1	1	Center Cutting Edge – PS	27		8	1/4 x 1-3/4 Cotter Pin
	85352*	1	5/8 Center Cutting Edge – PS	28	63927	14	5/8 Flat Washer
12	80297	1	Curb Guard Cutting Edge Kit	29	21452	6	Removable Spring Assembly
13*	44283-4	1	Back Drag Edge Kit (incl. item 28)	30	40905	6	Shoulder Bolt w/Locknut
14	26530K	1	Flexible Blade Guide Set	ns	44763	2	Bolt Bag – Cutting Edge Kits (one side – 5 sets of fasteners)
15	85670	1	Center Snow Control Kit	ns	43620*	1	Bolt Bag – Rubber Deflector
16*	86872	1	Rubber Deflector Kit – 10"				
ns	86874*	1	Rubber Deflector Kit – 18"				
<b>Item 7‡ 44744-2 1/2 Cutting Edge Kit w/Fasteners</b>							
8	44898	2	1/2 Cutting Edge	25		10	5/8-11 Hex Locknut GB
24		10	5/8-11 x 2 Carriage Bolt G5				
<b>Item 9 44894-1 Center Cutting Edge Kit w/Fasteners</b>							
10	44891-1	1	Center Cutting Edge – DS	24		5	5/8-11 x 2 Carriage Bolt G5
11	44890-1	1	Center Cutting Edge – PS	25		5	5/8-11 Hex Locknut GB
<b>Item 12 80297 Curb Guard Cutting Edge Kit</b>							
31	86663	1	Curb Guard, DS	ns		1	Bolt Bag, Curb Guard Cutting Edge
32	86664	1	Curb Guard, PS				
<b>Item 15 85670 Center Snow Control Kit</b>							
		1	Center Deflector	23		3	3/8-16 Hex Locknut GB
22		3	3/8-16 x 2 Hex Cap Screw G5				
<b>Item 17 43890 Moldboard Fasteners Kit</b>							
33		8	3/8-16 x 1 Button Cap Screw	35		8	3/8-16 Hex Locknut G5
34		8	3/8 Hardened Washer				
<b>Item 29 21452 Removable Spring Assembly</b>							
36	21450	1	Removable Spring Bar	38	20191	1	Removable Spring Disc
37	20181	1	1/4 x 1-1/4 Pin	39	5323	1	Trip Spring
			MS = Mild Steel				SS = Stainless Steel
							G = Grade
							ns = not shown

\* Accessory only.

† Packed w/headgear.

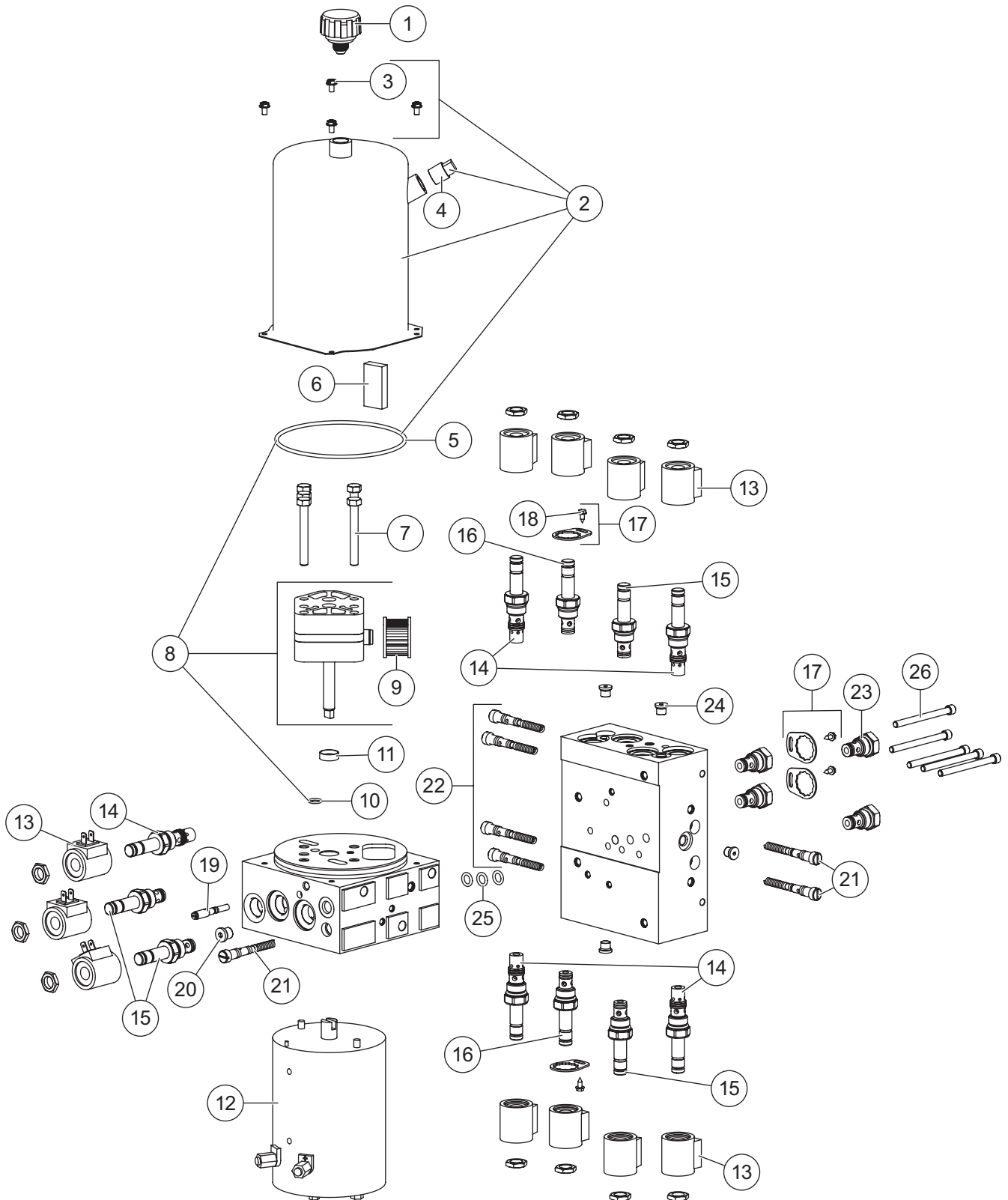
‡ Includes center cutting edge kit.

### Headgear and T-Frame Components





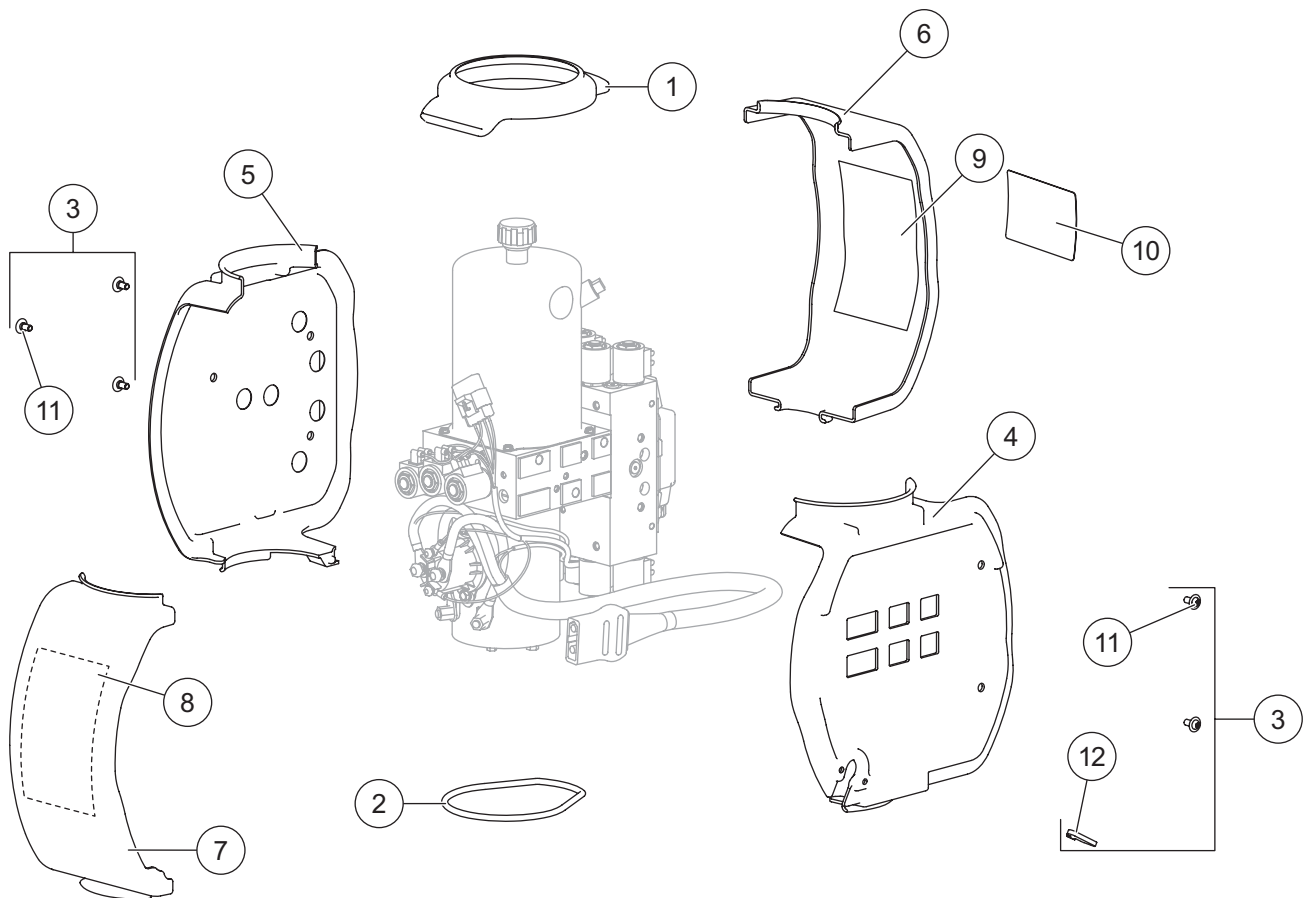
### Hydraulic Unit Components





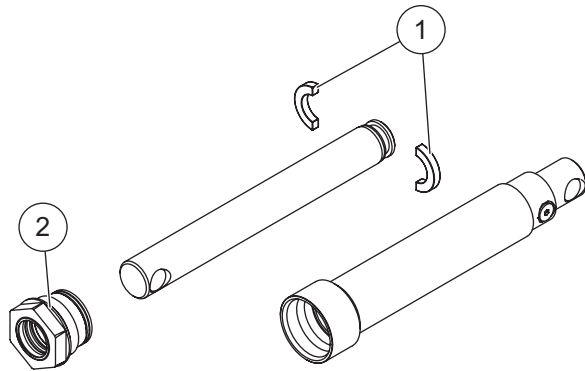
72362 XV2™ Hydraulic Unit (not applicable to central hydraulics)							
Item	Part	Qty	Description	Item	Part	Qty	Description
1	21727-2	1	Breather Pressure Control	17	44369	4	Valve Lock Ring w/Screw
2	44327-3	1	Reservoir Kit	18	63943	4	#8-18 x 3/8 Tapping Screw
3	66607	4	#10-24 x 5/16 Machine Screw	19	48517	1	Quill Assembly 1/2-20 Thread
4	92079	1	Plug, Square 3/8 NPTF	20	44344	1	Plug, Hex Socket –4 M ORB
5	66519	1	O-Ring 2-250	21	7629K-4	1-1/2	Relief Valve Kit (2 sets)
6	73897	1	Magnet	22	44337	2	Relief Valve Kit (2 sets)
7	90080	5	5/16-18 x 2-1/2 Hex Cap Screw G5	23	44333-1	4	Check Valve CV08-20
8	44329-2	1	Pump Kit	24	92960	4	Plug, Hex Socket –3 M ORB
9	26781-4	1	Suction Filter	25	29077	3	O-Ring -110
10	56274	1	O-Ring -013	26	29081	5	1/4-20 x 3 Socket Cap Screw
11	66515	1	Pump Shaft Seal	ns	29099	2	1/4-20 x 1/4 Hex Washer-Head Thread-Rolling Screw
12	21500K-1	1	Motor Assembly 4-1/2"	ns	44326	1	1/4-20 x 1/2 6-Lobe Round Washer-Head Screw (pkg of 5)
13	7639K-2	11	Coil with Spade Terminals	ns	44355	2	1/4-20 x 5/8 Hex Washer-Head Thread-Rolling Screw
14	44331	5	Valve SVCV08-20 w/Nut				
15	7634K-2	4	Valve SV08-2004 w/Nut				
16	44335	2	Valve SF08-2015 w/Nut				
<b>Item 2</b>				<b>44327-3 Reservoir Kit</b>			
3	66607	4	#10-24 x 5/16 Machine Screw	5	66519	1	O-Ring 2-250
4	92079	1	Plug, Square 3/8 NPTF			1	Reservoir
<b>Item 8</b>				<b>44329-2 Pump Kit</b>			
5	66519	1	O-Ring 2-250	10	56274	1	O-Ring -013
9	26781-4	1	Suction Filter			1	Hydraulic Pump
<b>Item 17</b>				<b>44369 Valve Lock Ring w/Screw</b>			
		1	Valve Lock Ring	18	63943	1	#8-18 x 3/8 Tapping Screw
<b>O-Ring Service Kits</b>							
–	7632K-5	–	Back-Up/O-Ring Kit	–	49259-2	–	Seal Kit, Valves SV08-30, -31, -33, -40, -43, and SVCV 08-20
–	49258-2	–	Seal Kit, Valves SV08-2004, CV08-20, SF08-2015				
ns = not shown			G = Grade			M = Male	

Hydraulic Unit Cover Assembly

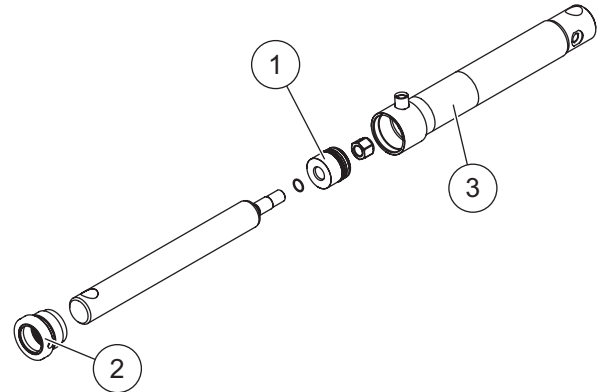


43867 Cover Assembly							
Item	Part	Qty	Description	Item	Part	Qty	Description
1	44352	1	Top Retainer Ring	6	44303	1	Cover, Side 3
2	44366	1	Bottom Retainer Ring	7	44304	1	Cover, Side 4
3	44326	1	1/4-20 x 1/2 6-Lobe Round Washer-Head Screw (pkg of 5) w/8" Cable Tie	8	44310	1	Label - Information (S1-S3)
4		1	Cover, Side 1	9	44319	1	Label - Information (S4-S11)
5		1	Cover, Side 2	10	43222	1	Label - Logo, XV2™ Hydraulic Unit
<b>Item 3</b>		<b>44326 1/4-20 x 1/2 6-Lobe Round Washer-Head Screw (pkg of 5)</b>					
11		5	1/4-20 x 1/2 6-Lobe Round Washer-Head Screw	12	59223	1	Cable Tie 8"
				ns	61536	1	Cable Tie 14"
ns = not shown							

**Lift and Angle Ram Components**

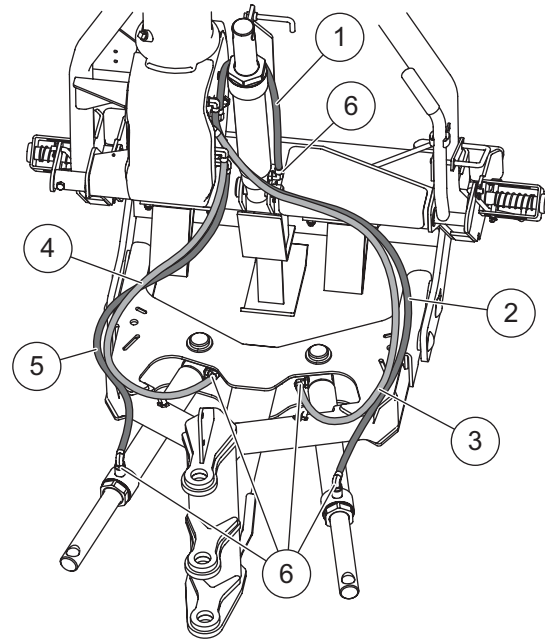
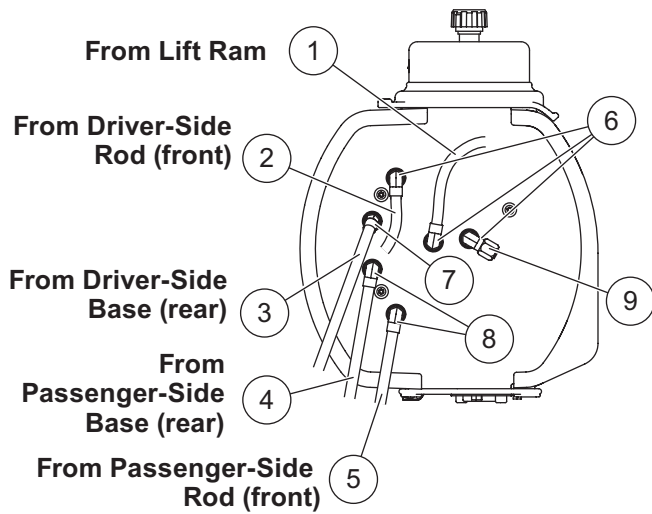


43132 Lift Ram Assembly 1-3/4 x 10			
Item	Part	Qty	Description
1	43134	1	Split Bearing
2	43135	1	Gland Nut Assembly



89362 Angle Ram Assembly 2 x 11 DA			
Item	Part	Qty	Description
1	81877	1	Piston Assembly
2	81871	1	Gland Nut Assembly
3	48847	1	Label – Identity, InstaLock Double-Acting Cylinder

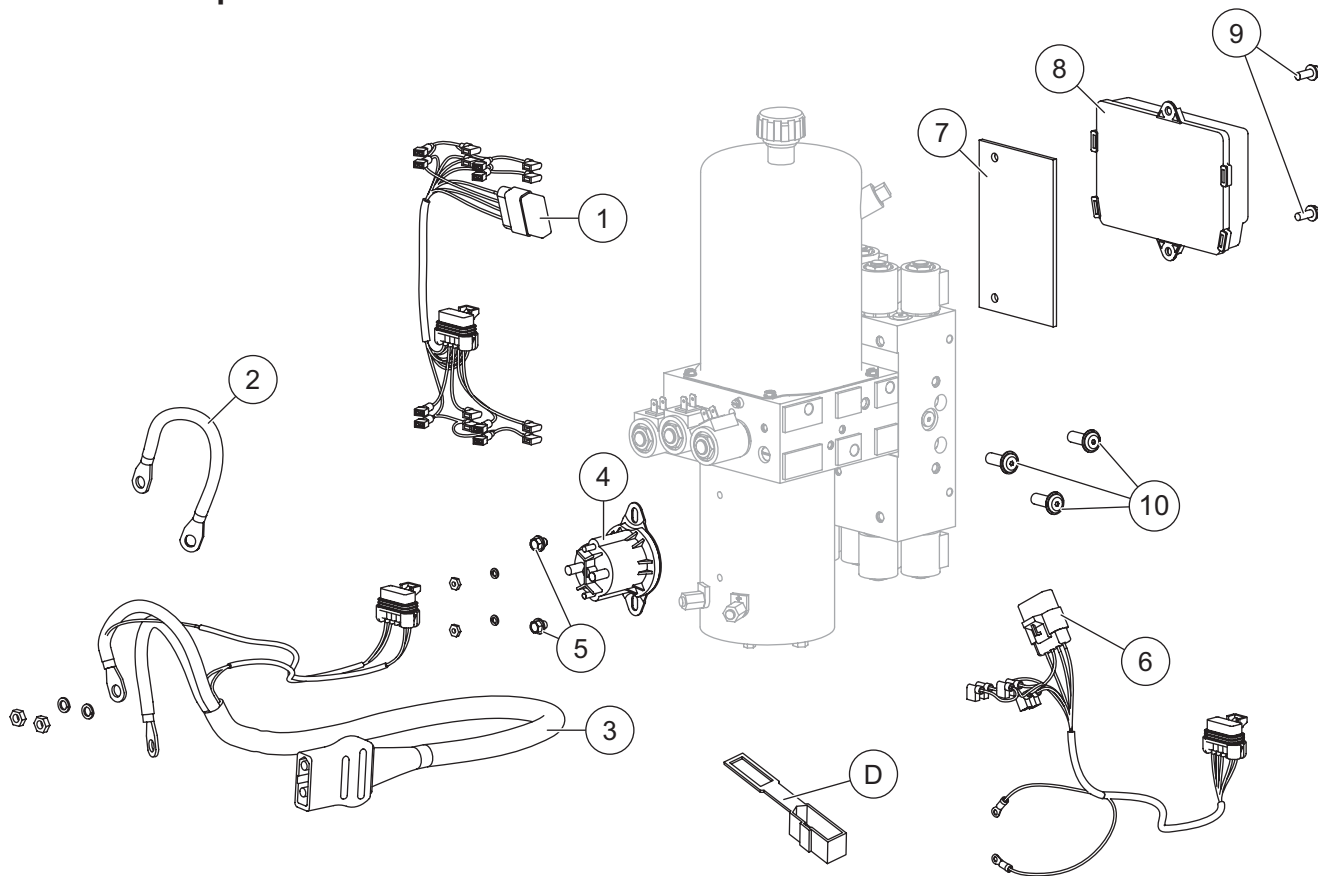
Hoses and Fittings



Hoses and Fittings							
Item	Part	Qty	Description	Item	Part	Qty	Description
1	56592	1	Hose, 1/4 x 16 w/F JIC Ends	7	56726	1	Elbow, 45° -6 M JIC/-6 M ORB
2	56591	1	Hose, 1/4 x 42 w/F JIC Ends	8	44361	2	Elbow, Extra Long 90° -6 M JIC/-6 M ORB
3	44348	1	Hose, 3/8 x 42 w/F JIC Ends	9	44345	1	Drain Cap, -6 F JIC
4	44315	1	Hose, 3/8 x 38 w/F JIC Ends	ns	56823	2	Hose Wrap, Polyethylene
5	56599	1	Hose, 1/4 x 36 w/F JIC Ends	ns	98043	3	3/8-16 x 1 Button Cap Screw
6 <sup>‡</sup>	56725	8	Elbow, 90° -6 M JIC/-6 M ORB				
			F = Female			ns = not shown	
						M = Male	

<sup>‡</sup> Also used for central hydraulics, qty 5.

**Electrical Components**



Plow-Side Electrical Components						
Item	Part	Qty	Description	Item	Part	Qty Description
1	28583	1	Harness Plow Control, 8-Solenoid	8	44354-3	1 Plow Module
2	29071	1	Cable Assembly 8"	9	44355	2 1/4-20 x 5/8 Hex Washer-Head Thread-Rolling Screw
3	42015	1	Snowplow Battery Cable	10	98043	3 3/8-16 x 1 Button Cap Screw
4	42901	1	Motor Relay Kit FLEET FLEX System	ns	8329K	2 Dielectric Grease (pkg of 2)
5	29099	2	1/4-20 x 1/4 Hex Washer-Head Thread-Rolling Screw	ns		4 Fuse, 4A Mini Automotive-Style (for items 1 and 6)
6	28581-1	1	Harness Plow Control, 3-Solenoid			
7	44308	1	Spacer Module			

ns = not shown

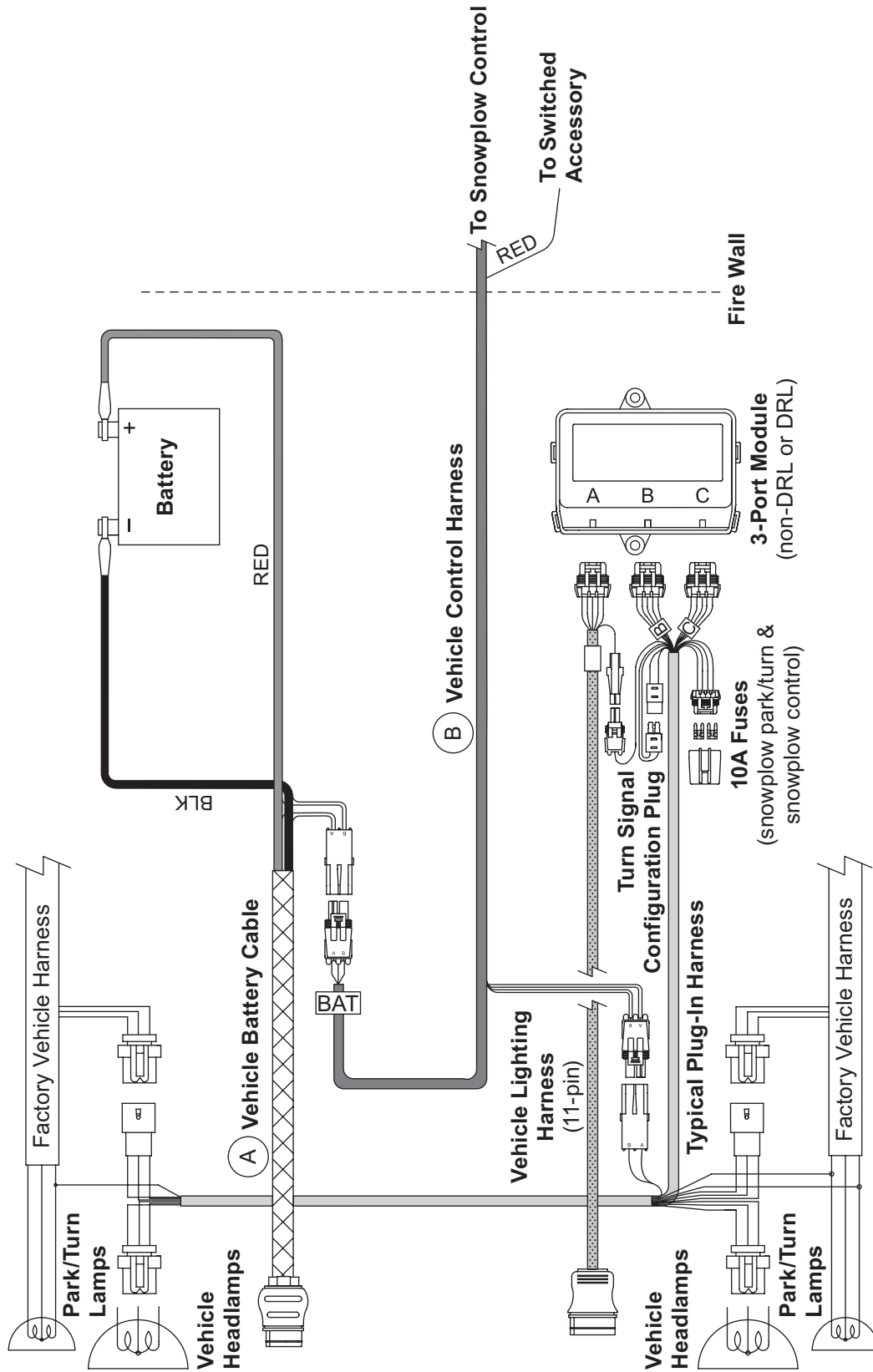
Vehicle-Side Electrical Components (diagrams on following pages)						
Item	Part	Qty	Description	Item	Part	Qty Description
A†	72527	1	Vehicle Battery Cable	D	61548K	1 Plug Cover Kit (shown with plow-side electrical components)
B*	28587	1	Vehicle Control Harness			
C**	26498	1	Vehicle Control Harness – Central Hydraulics			

\* See Vehicle-Side Harness Diagram.

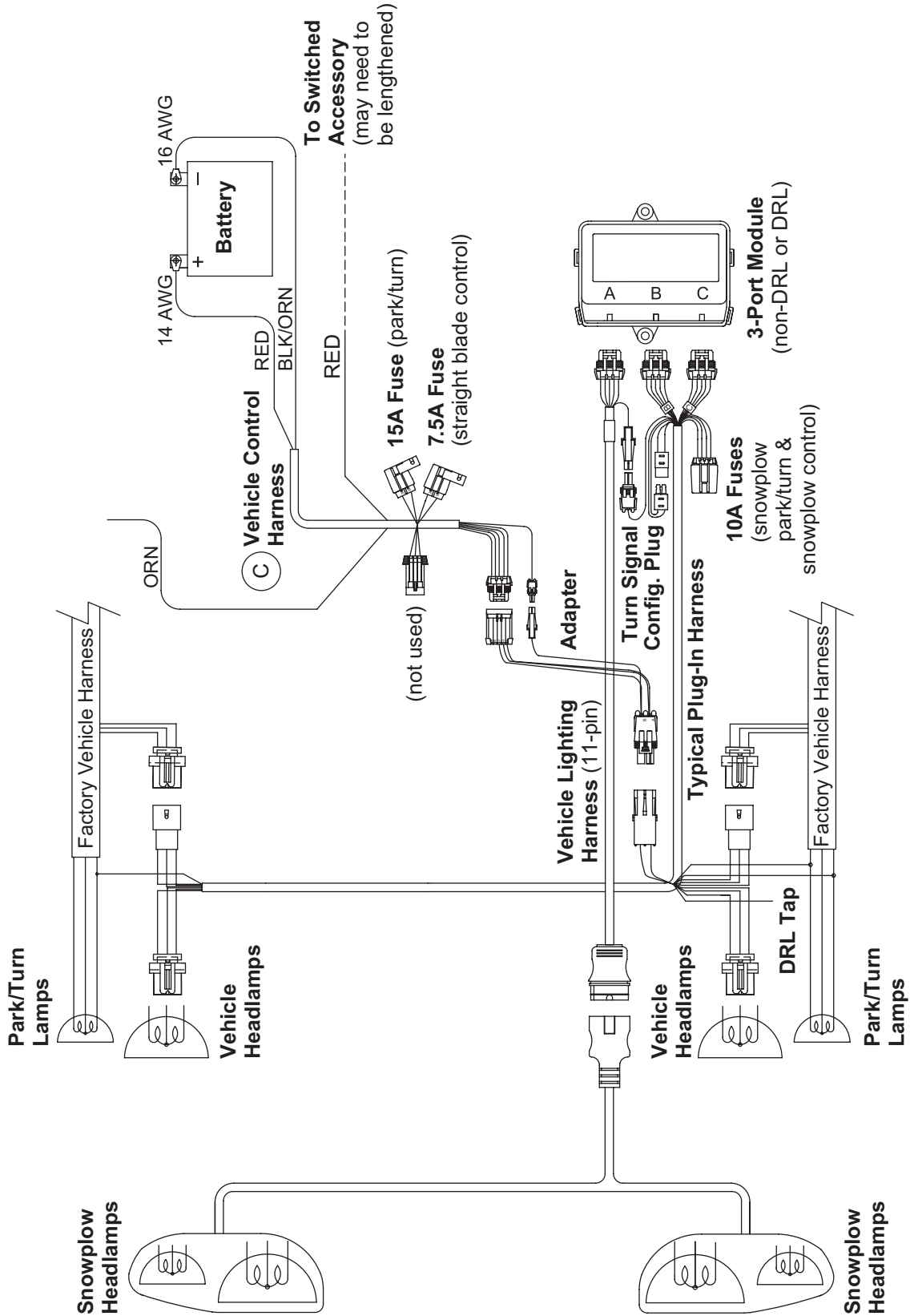
\*\* See Vehicle-Side Harness Diagram – Central Hydraulics.

† Not used for central hydraulics.

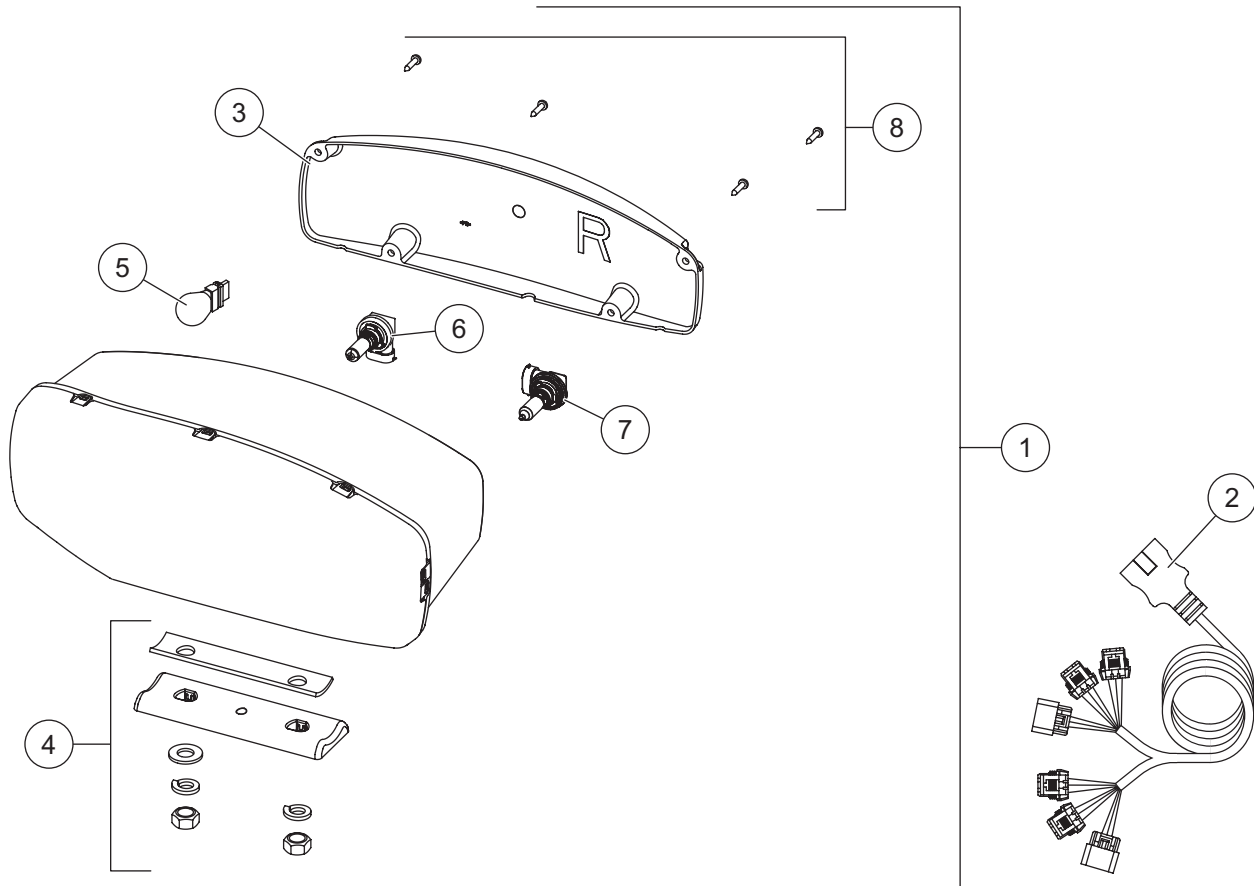
Vehicle-Side Harness Diagram



Vehicle-Side Harness Diagram – Central Hydraulics



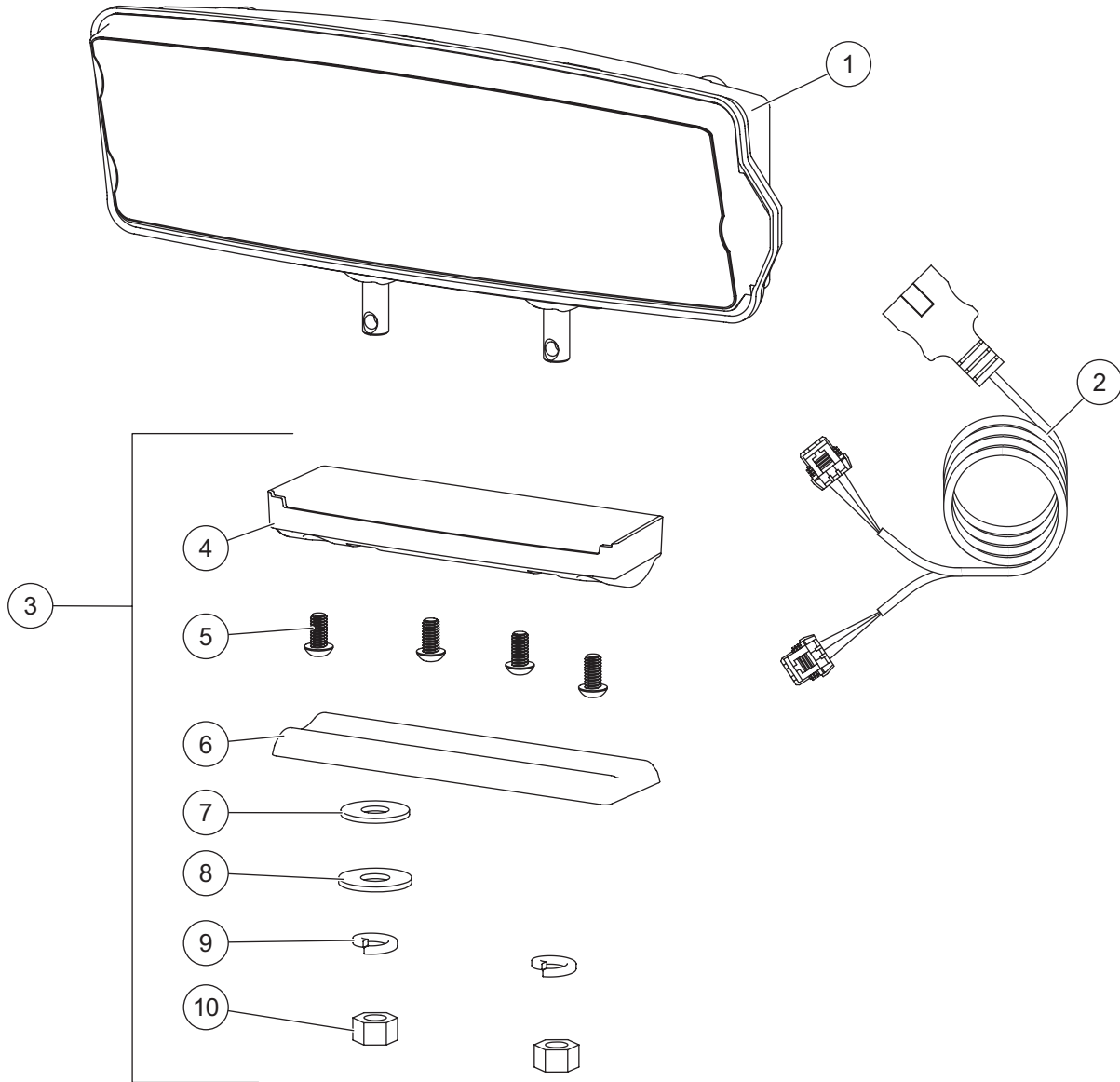
Headlamp Kit – Halogen



38800 Headlamp Kit H9/H11 (pair)							
Item	Part	Qty	Description	Item	Part	Qty	Description
1	38802	1	Headlamp Service Kit H9/H11 – PS	2	38807	1	Harness Service Kit H9/H11
ns	38801	1	Headlamp Service Kit H9/H11 – DS				
<b>Item 1</b>	<b>38801/38802 Headlamp Service Kit H9/H11 – PS/DS</b>						
3	38803	1	Rear Cover Kit H9/H11 – PS	6	38811	1	Headlamp Bulb Service Kit H11
ns	38812	1	Rear Cover Kit H9/H11 – DS	7	38809	1	Headlamp Bulb Service Kit H9
4	38804	1	Mounting Hardware Kit H9/H11	8	38808	1	Cover Screws Service Kit H9/H11 (pkg of 4)
5		1	Park/Turn Bulb (trade no. 4157NAK)				
ns = not shown							



Headlamp Kit – LED



Headlamp Kit LED						
Item	Part	Qty	Description	Item	Part	Qty Description
1	39901	1	Headlamp Service Kit LED – DS	3	39903	1 Mounting Hardware Kit LED
ns	39902	1	Headlamp Service Kit LED – PS	ns	72512	1 LED Harness Connector Cover (pkg of 2)
2	72548	1	Harness Service Kit LED			
Item 3 39903 Mounting Hardware Kit LED						
4		1	Plastic Casing	8		1 1/2 Flat Washer
5		4	1/4 Button Cap Screw	9		2 1/2 Lock Washer
6		1	Headlamp Swivel	10		2 1/2 Hex Nut
7		1	1/2 Rubber Washer	ns		1 Metal Insert

ns = not shown



Fisher Engineering  
50 Gordon Drive  
Rockland, ME 04841-2139  
*www.fisherplows.com*

**A DIVISION OF FISHER, LLC**

Copyright © 2020 Douglas Dynamics, LLC. All rights reserved. This material may not be reproduced or copied, in whole or in part, in any printed, mechanical, electronic, film, or other distribution and storage media, without the written consent of Fisher Engineering. Authorization to photocopy items for internal or personal use by Fisher Engineering outlets or snowplow owner is granted.

Fisher Engineering reserves the right under its product improvement policy to change construction or design details and furnish equipment when so altered without reference to illustrations or specifications used. Fisher Engineering or the vehicle manufacturer may require or recommend optional equipment for snow removal. Do not exceed vehicle ratings with a snowplow. Fisher Engineering offers a limited warranty for all snowplows and accessories. See separately printed page for this important information. The following are registered (®) or unregistered (™) trademarks of Douglas Dynamics, LLC: FISHER®, Minute Mount® 2, SECURITY GUARD™, STORM GUARD™, XV2™.

**Printed in U.S.A.**