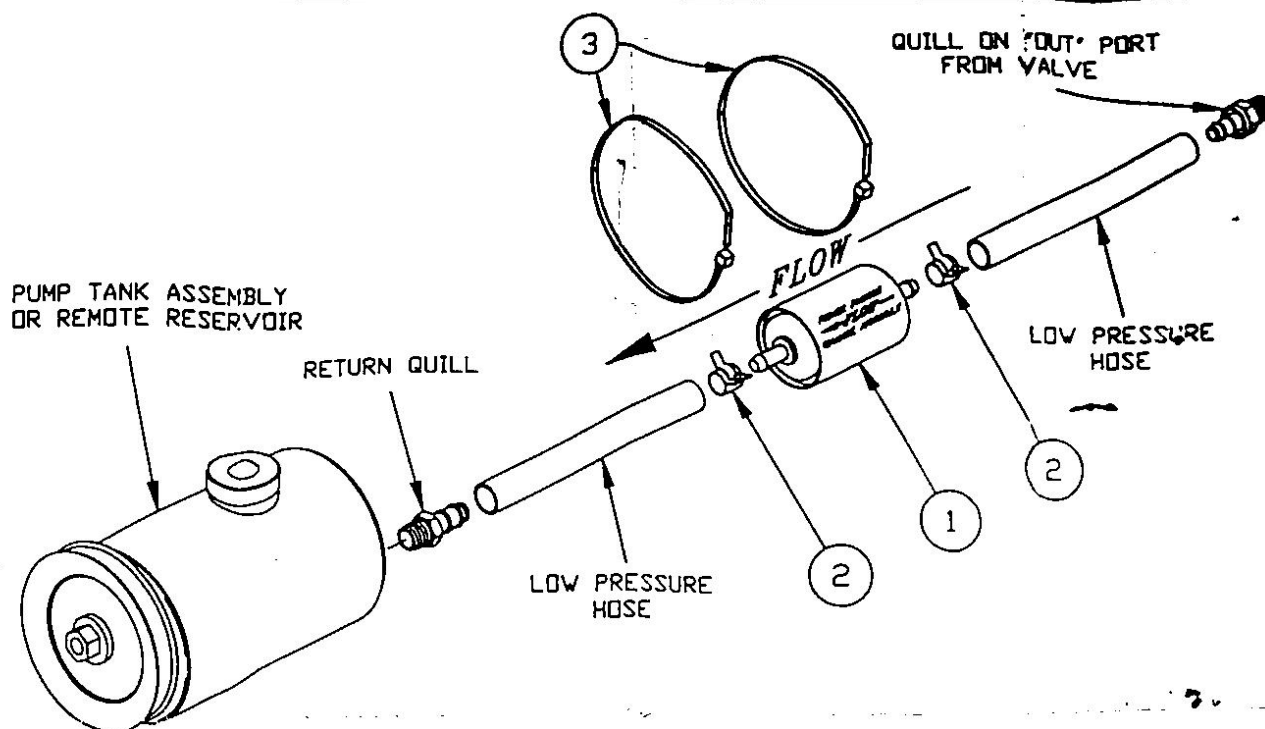


FILTER KIT



Parts List

Ref #	Part #	Qty	Description
1	8693	1	In-line filter -- Hydraulic Oil
2	8765	2	Hose Clamp -- 12mm Spring Band
3	8324	2	3/16 x 14" Cable Tie

Installation Instructions

After installing the low pressure hose from the valve to the reservoir, locate a place on the hose that the filter can be installed without chaffing on any chassis or engine parts. Cut the hose to prevent any crimping and install the filter as follows:

1. Slide a clamp (2) on the end of each piece of hose.
2. Install the filter (1) in the hose. Be careful to align the filter properly with the direction of flow in the hose.
3. Place clamps (2) to securely affix the filter in the hose.
4. Use the cable ties (3) to secure the filter and low pressure hose where it will not experience any chaffing.

NOTE: Do Not install this filter on 1988 - 19__ Fords with 302 or 351 V8 engines using the 7520 or 7504 peculiar hydraulic kits. In these kits a high pressure hose (PN 21203) is used in place of the low pressure hose and filter.

REPLACE THE FILTER ANNUALLY

6451