



A Division of The Toro Company
 P.O. Box 787 Iron Mountain, MI 49801-0787
 ISO 9001:2008 REGISTERED
 bossplow.com

MSC11055 Headlight Adapter Installation Procedure

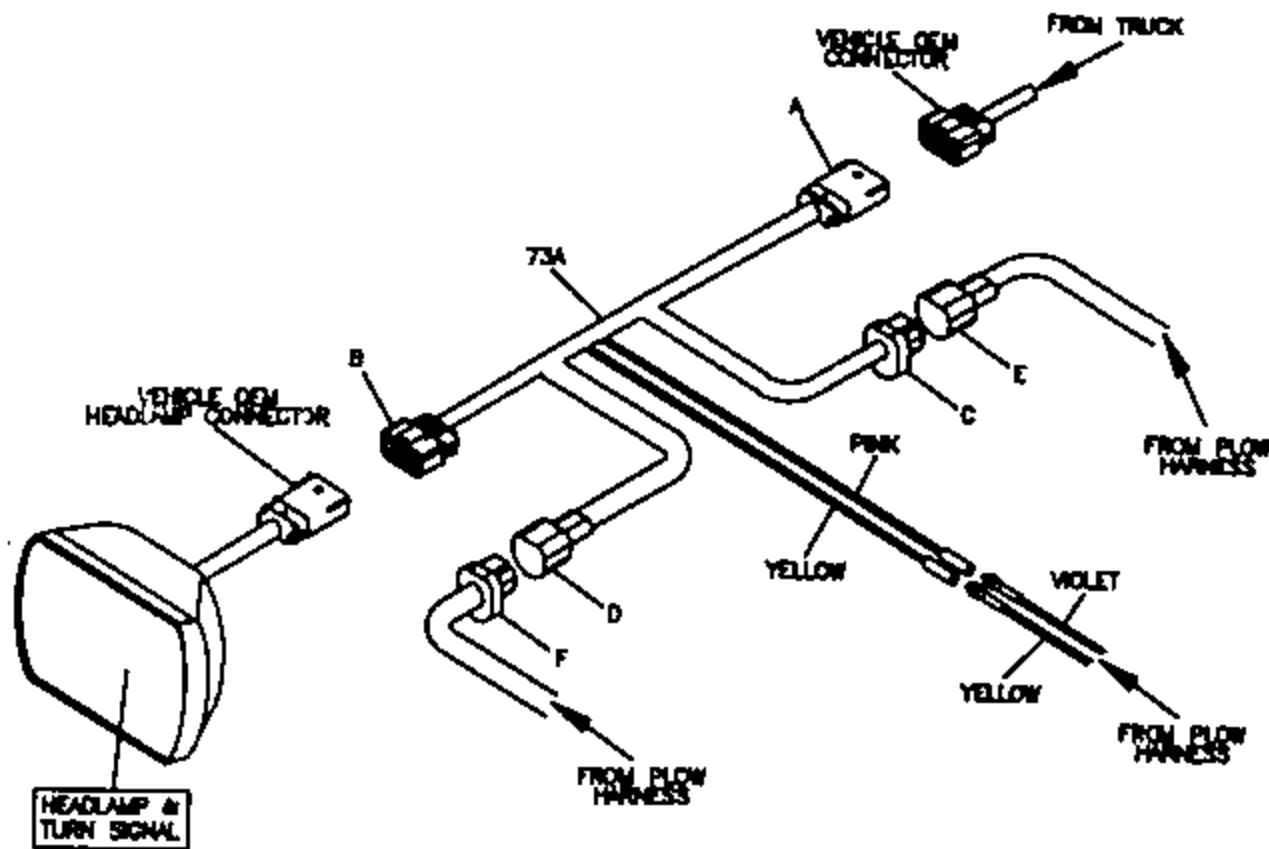


Figure 1. Ford F-150 LED Headlight Adapter Installation

This Installation Procedure is for 2018 & Newer Ford F-150 trucks with LED Headlights.

1. Locate and disconnect vehicle OEM headlight harness on Driver Side of vehicle.
2. Connect plug (A) of Headlight Adapter (73A) into the vehicle driver side OEM headlight harness.
3. Connect plug (B) of Headlight Adapter (73A) into the vehicle Driver Side headlight.
4. Connect blue plastic connector (C) of Headlight Adapter (73A) into Driver Side black rubber connector (E) from Plow Harness.
5. Connect black rubber connector (D) of Headlight Adapter (73A) into Driver Side blue plastic connector (F) from Plow Harness.
6. Connect Pink Headlight Adapter (73A) female bullet connector to the Driver Side Violet male bullet connector of Plow Harness.

7. Connect Yellow Headlight Adapter (73A) female bullet connector to the Driver Side Yellow male bullet connector of Plow Harness.
8. Repeat steps 1-5 for Passenger Side Headlight Adapter (73B).
9. Connect Pink Headlight Adapter (73A) female bullet connector to the Driver Side Pink male bullet connector of Plow Harness.
10. Dielectric grease and secure the Passenger Side Yellow Headlight Adapter (73B) female bullet connector. This connector will not be used.

Use Standard Orientation For: *All Ford Models *All 1988 & Newer GM Models *All Dodge Models with 4 Headlight System *All 2003 & Newer Dodge Models	Standard Orientation G10858
Use Reverse Orientation For: *1994 - 2002 Dodge Models with 2 Headlight System (9004 Bulb) *1987 & Older GM Models with 4 Headlight System	Reverse Orientation G10202

Figure 2. Vehicle Option Connector G10202

11. Locate vehicle option connector. Align the connector so that the wire colors are positioned to match the vehicle it is installed on. This is illustrated in Figure 2.