

MSC06428 Headlight Adapter Installation Procedure

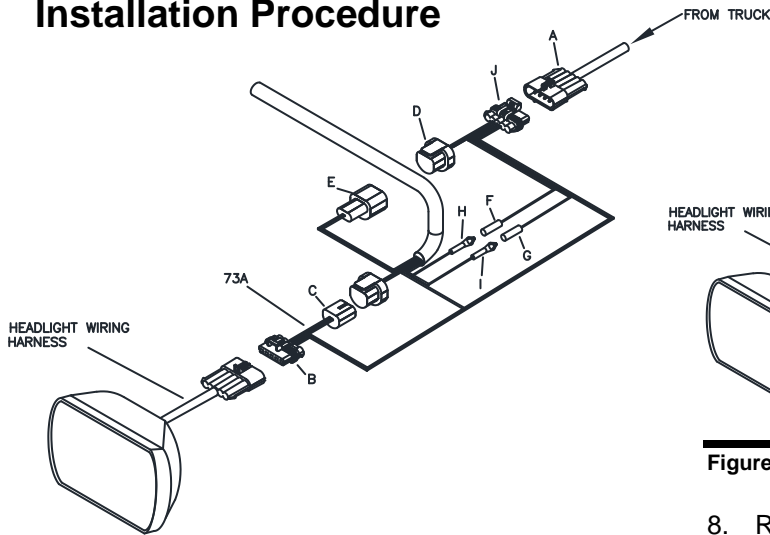


Figure 1. Driver Side Connections G10821

1. Disconnect OEM Headlight Connector Plug (A) from headlight wire harness.
2. Insert Five Pin Connector (B) of Headlight Adapter (73A) into headlight wire harness.
3. Connect Black Rubber Female Socket (C) of Headlight Adapter (73A) into driver side of plow wiring harness.
4. Connect the Blue Sealed Beam Connector (D) of Headlight Adapter (73A) into Black Rubber Female Socket (E) on driver side plow wiring harness.
5. Connect Opposite End (J) of Headlight Adapter (73A) into OEM Wiring Harness (A).
6. Connect Female Bullet (F) Yellow Wire from headlight adapter (73A) to Male Bullet (H) Yellow Wire on driver side plow wiring harness.
7. Connect Female Bullet (G) Violet Wire from Headlight Adapter (73A) to Male Bullet (I) Violet Wire on driver side plow wiring harness.

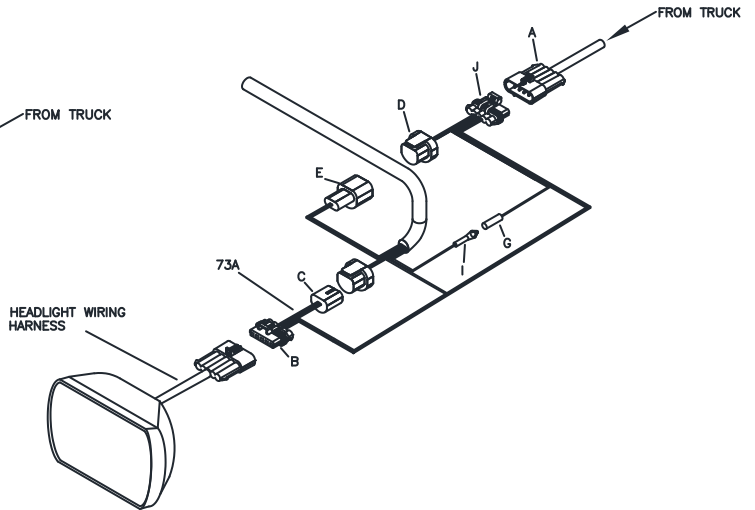


Figure 2. Passenger Side Connections G10822

8. Repeat steps 1 through 5 on passenger side.
9. Connect Female Bullet (G) Pink Wire from Headlight Adapter (73A) to Male Bullet (I) Pink Wire on passenger side plow wiring harness.

Use Standard Orientation For:	Standard Orientation
*All Ford Models	Red/Yellow
*All 1988 & Newer GM Models	White/Yellow
*All Dodge Models with 4 Headlight System	Red/Yellow
*All 2003 & Newer Dodge Models	White/Yellow
Use Reverse Orientation For:	Reverse Orientation
*1994 - 2002 Dodge Models with 2 Headlight System (9004 Bulb)	White/Yellow
*1987 & Older GM Models with 4 Headlight System	Red/Yellow

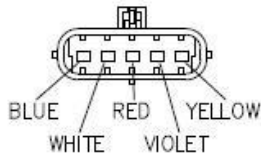
Figure 3. Vehicle Option Connector G10202

10. Locate vehicle option connector. Align the connector so that the wire colors are positioned in the standard orientation. This is illustrated in Figure 3.

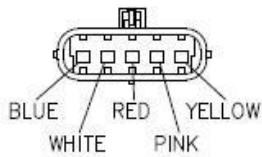
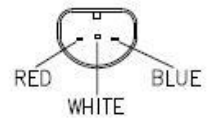
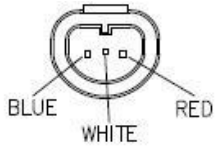
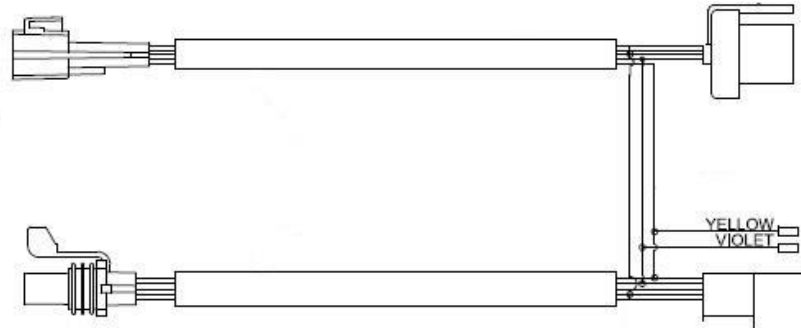
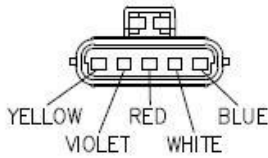
G102

13-Pin Headlight Adapter

MSC06428



HEADLIGHT ADAPTER 1
(1) REQUIRED



HEADLIGHT ADAPTER 2
(1) REQUIRED

