

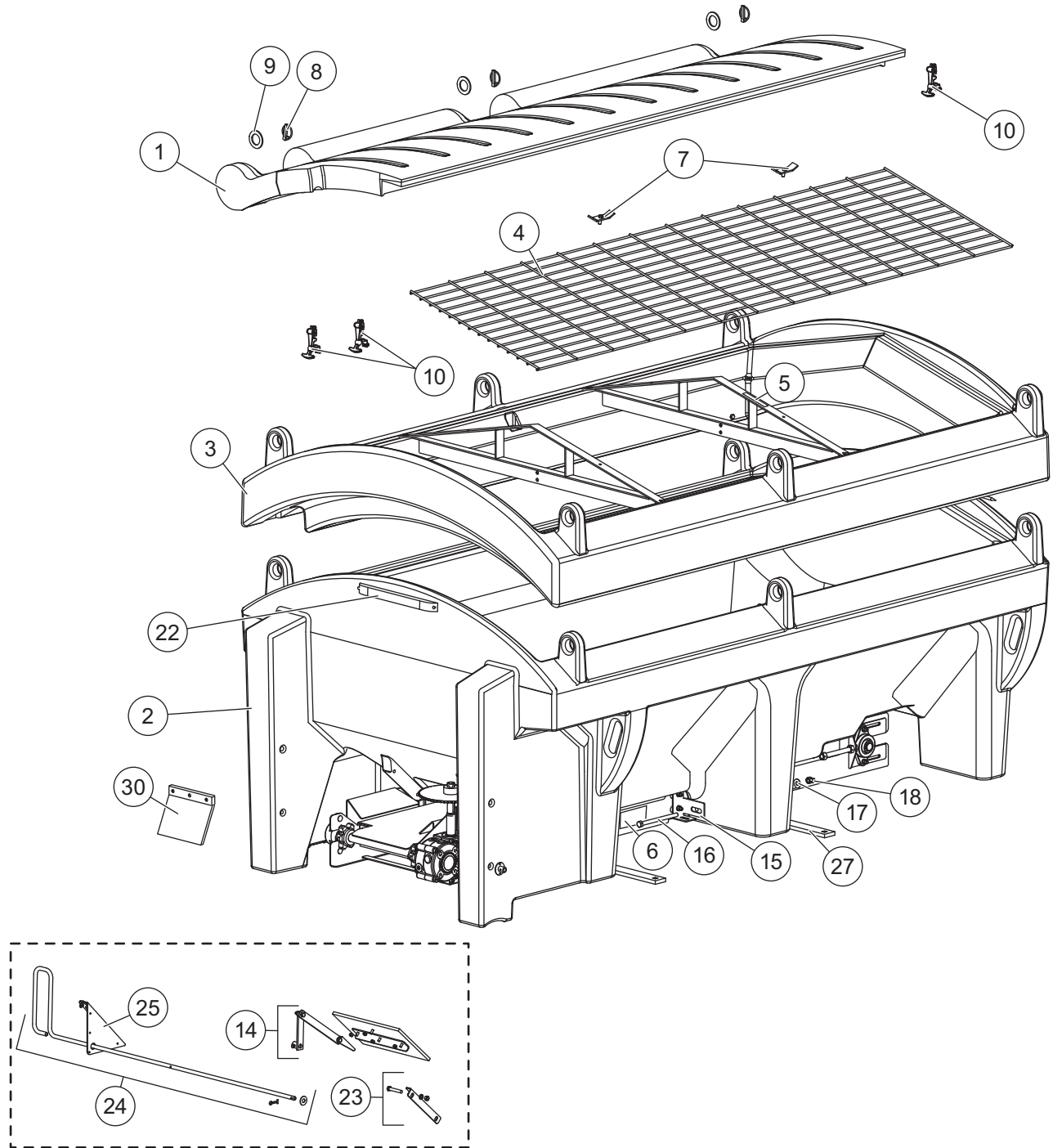


HOPPER SPREADER COMPONENTS
ICE CHASER™ Hopper Spreader
Parts List

This Parts List is for BLIZZARD® ICE CHASER Hopper Spreaders with serial numbers beginning with 0905 and higher.

ICE CHASER™ HOPPER SPREADER

HOPPER COMPONENTS

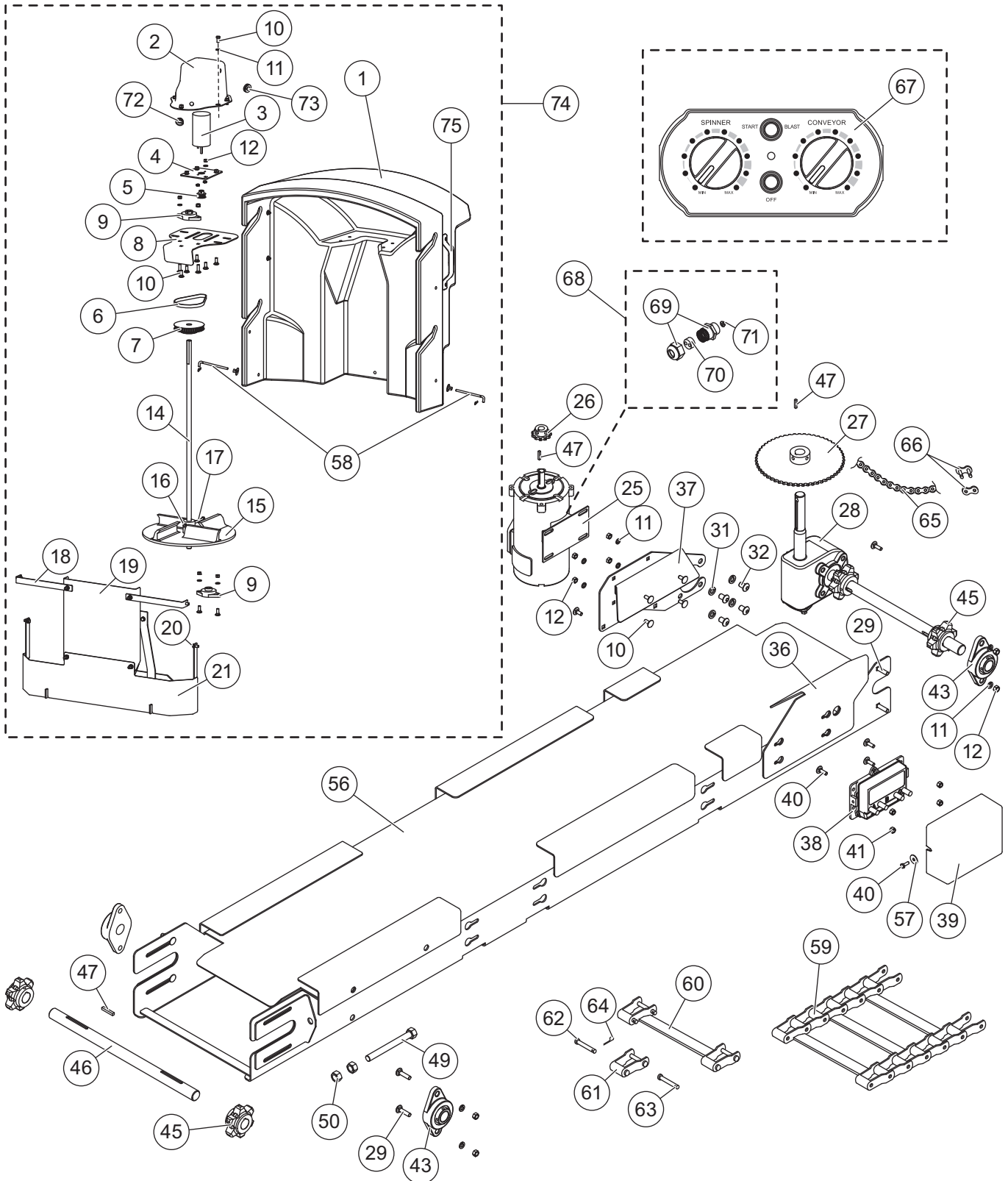


ICE CHASER™ HOPPER SPREADER

Hopper Components							
Item	Part	Qty	Description	Item	Part	Qty	Description
1	78018	1	Poly Hopper Lid Left 7' (DS)	15	78119	3	Hopper Mounting Bracket Right
	78019	1	Poly Hopper Lid Left 8' (DS)	ns	78133	3	Hopper Mounting Bracket Left
ns	78020	1	Poly Hopper Lid Right 7' (PS)	16	78203	4	1/2-13 x 7-1/2 Hex Cap Screw SS
	78021	1	Poly Hopper Lid Right 8' (PS)	17	68109	4	1/2 Flat Washer SS
2	78011	1	Poly Hopper Body 7'	18	95834	4	1/2-13 Hex Locknut SS
	78014	1	Poly Hopper Body 8'	ns	90375	8	3/8-16 x 1 Carriage Bolt SS
3	78228	1	Poly Hopper 8' Collar	ns	91282	8	3/8 Lock Washer SS
4	78115	1	Top Screen, 7' (Painted)	ns	91431	8	3/8-16 Hex Nut SS
	78116	1	Top Screen, 8' (Painted)	22	78048	1	CHMSL Kit (w/Fasteners)
5	78117	2	Top Screen Brace with Label (67272) Poly Hopper	23	78083	2	Feed Gate Guide (1) w/Fasteners Kit (Incl. 94495 [2], 78047, 91350 [2])
6	67272	2	Label – Information (Caution)	24	78094	1	Feed Gate Handle Kit (Incl. Item 17, 78029, 90601 [2])
7	96038	4	Wing Bolt	25	78098	1	Feed Gate Detent Bracket (Incl. 78028 w/Fasteners)
8	93010	6	Linchpin	ns	66438	4	3/8-16 x 1-1/2 Hex Cap Screw
9	78097	6	Washer 2.5 OD x 1.53 ID SS	27	78109	2	Mounting Bar (Incl. Items 17 [2], 18 [2], 78056, 90380 [2])
10	65224	3	Strap, Rubber Hold Down Assembly	ns	78242	1	Poly Hopper Collar Hardware Kit
ns	61246	1	Cable Boot	30	78177	1	Sprocket Shield Kit
ns	8289	1	Boot Bracket				
ns	96375	1	3/8 x 1 Sheet Metal Screw				
14	78118	1	Feed Gate Assembly Kit Poly Hopper (Incl. 78093, 90601)				
ns = not shown		SS = Stainless Steel			G = Grade		

ICE CHASER™ HOPPER SPREADER

DRIVE COMPONENTS



ICE CHASER™ HOPPER SPREADER

Drive Components							
Item	Part	Qty	Description	Item	Part	Qty	Description
1	78124	1	Chute Cover	47	65174	6	Machine Key 0.250 sq x 1.500 lg
2	78099	1	Chute Motor Cover	49	65609	2	5/8-11 x 6 Take-Up Bolt SS
3	P3035	1	Motor 12V DC 1/3 HP	50	91435	4	5/8-11 Hex Nut
4	78125	1	Chute Motor Mounting Plate Kit (Incl. Items 10 [4], 11 [4], 12 [4], 68511 [2], 78068)	56	78192	1	Sill, 7'
5	78106	1	10-Tooth Cogged Belt Pulley		78193	1	Sill, 8'
6	M1355	1	Gear Belt	57	67155	2	5/16 Flat Washer SS
7	78066	1	40-Tooth Cogged Belt Pulley 3/4 Bore	58	78031	1	Chute Attachment Pin Bag
8	78126	1	Chute Motor Base Plate Kit (Incl. Items 11 [4], 20 [4], 78065)	59	78076	1	Pintle Chain, 99 Links
9	96167	2	Pillow Block Bearing 3/4 Bore		94898	1	Pintle Chain, 108 Links
10	90375	28	3/8-16 x 1 Carriage Bolt SS	60	68492	AR	Conveyor Repair Bar w/Pins
11	91282	39	3/8 Lock Washer SS	61	68475	AR	Conveyor Repair Link w/Pins
12	91431	34	3/8-16 Hex Nut SS	62	65186	AR	Conveyor Chain Pin, Teardrop Shoulder w/Cotter
14	78067	1	Spinner Shaft	63	68459	AR	Conveyor Chain Pin, Stepped
15	94424	1	Spinner Poly	64	91897	AR	3/32 x 1/2 Cotter Pin
16	91430	1	5/16-18 Hex Nut SS	65	78075	1	#40 Chain with Master Link
17	94495	1	5/16-18 x 2-1/4 Hex Cap Screw SS	66	95894	AR	#40 Chain Master Link
18	78128	2	Deflector Bracket	67	78102	1	Cab Control
19	78129	1	Deflector	68	78201	1	Seal Kit
20	90376	5	3/8-16 x 3/4 Hex Cap Screw SS	69	78166	1	Strain Relief Liquid Tight
21	78130	1	Spinner Guard (Incl. 78058)	70	78173	1	Silicone Bushing
25	95755-1	1	Motor 1/2 HC 12V DC	71	78190	1	3/4 Locknut SS
26	95777	1	Sprocket, #40 x 11T x 5/8	72	78107	1	Cap Plug for Motor Cover
27	78057	1	Sprocket, #40 x 55T x 1	73	66130	1	Grommet
28	95567	1	Gear Case 20:1	74	78231	1	Full Chute Assembly
29	68345	10	3/8-16 x 1-1/2 Carriage Bolt SS	75	78247	2	Chute Handle Kit
31	91284	4	1/2 Lock Washer Spring SS	ns	78199	1	CHMSL Harness Kit
32	68360	4	1/2-13 x 3/4 Button Cap Screw	ns	29217	1	Vehicle Power Cable
36	78131	1	Chain Guard DS Rear	ns	28585	1	Spreader Power Cable
37	78132	1	Chain Guard PS Rear	ns	29221	1	Vehicle-Side Control Harness
38	78178	1	Control Module – Dual Motor	ns	78103	1	Wiring – Module to Motor
39	78108	1	Module Cover	ns	78104	1	Wiring – Module to Spinner Connector
40	90556	4	5/16-18 x 1 Carriage Bolt	ns	78105	1	Wiring – Spinner Connector to Spinner Motor
41	91350	4	5/16-18 Hex Locknut GB SS	ns	95836	1	Fuse, 100 Amp
43	94536	3	Bearing, Flange 2 Bolt 1.125	ns	95837	1	Fuse Holder
45	65909	4	Drive Sprocket Machining 6T	ns	22511	1	22" Battery Cable
46	94351	1	Idler Shaft	ns	78246	1	Control Bracket Kit
Accessories							
ns	78197	1	License Plate Light Kit	ns	78195	1	Vibrator Kit
ns	78198	1	Work Light Kit	ns	78196	1	Truck Mounting Kit
ns	78120	1	Inverted Vee Kit 8' Models	ns	78150	1	Inverted Vee Kit 7' Models
ns	78204	1	Vehicle-Side Harness Kit				
ns = not shown		SS = Stainless Steel		AR = As Required		G = Grade	

ICE CHASER™ HOPPER SPREADER

Copyright © 2010 Douglas Dynamics, L.L.C. All rights reserved. This material may not be reproduced or copied, in whole or in part, in any printed, mechanical, electronic, film or other distribution and storage media, without the written consent of Blizzard. Authorization to photocopy items for internal or personal use by Blizzard outlets or spreader owner is granted.

Blizzard reserves the right under its product improvement policy to change construction or design details and furnish equipment when so altered without reference to illustrations or specifications used. Blizzard or the vehicle manufacturer may require or recommend optional equipment for spreaders. Do not exceed vehicle ratings with a spreader. Blizzard offers a limited warranty for all spreaders and accessories. See separately printed page for this important information. The following are registered (®) or unregistered (™) trademarks of Douglas Dynamics, L.L.C.: BLIZZARD®, ICE CHASER™.

Printed in U.S.A.
