



MEYER SNOW PLOW LIGHTS

Form 1-874
IS79
January, 2007

NISSAN TITAN 12V Kit

PARTS LIST

ITEM	PART NO.	QTY.	DESCRIPTION
1	07205	1	Adapter Kit (used with the 07305 Light Carton)
2	07185	1	• Adapter Kit
3	07347	2	Control Modules
4	07609	2	•• Cable (Wires - Black, Green, Yellow, Orange, Red)
5	07118	2	•• Cable (Module "C" to Snow plow light)
6	08701	1	• Hardware Bag (A)
7	07119	1	•• Rocker Switch
8		1	•• 3 ft. Orange Wire
9		1	•• 2 ft. Red Wire with 5 Amp Fuse
10		1	•• 3 ft. Black Wire
11		1	•• Blue Butt Connector
12		5	•• Butt Splice Connectors with Heat Shrink
13	15804	3	•• Ring Terminal
14	20841	10	•• Nylon Tie Straps
15	22208	1	•• Light Switch Mounting Bracket
	22189	2	•• Self Tapping Screws #12-14 x 1/2" Pan Hd.
		4	•• Self Tapping Screw #10 Phillips Pan Hd.
		1	•• Decal, Switch

Parts indented are included in carton, bag or assembly under which they are indented.

Caution: It is important that the Meyer harness, all wires from the Meyer light switch, and all other electrical wires be routed around hot, sharp sheet metal or moving engine parts. Protection must be provided to guard against wire damage at these points. All excess or loose wires must be neatly secured using wire ties. It is highly recommended that all electrical connections are coated with a di-electric compound. See "★" on Figure 1.

Note: Installer is responsible that the Snow Plow Lamps are aimed to comply with Federal Motor Vehicle Standard 108. Aiming Snow Plow Lamps: Adjust Snow Plow Lamp so that the beams are projected the same distance ahead of vehicle compared to the OEM Headlamps.

When ordering parts, furnish Part No., Name, and Description. Also furnish Vehicle Model and Year. Type of Hydraulic Unit and Moldboard Size.

Meyer Products reserves the right, under its continuing product improvement program, to change construction or design details, specifications and prices without notice or incurring any obligation.

IMPORTANT:

See Figure 1, Item 3. Meyer Headlamp Control Modules must not be mounted on any engine compartment areas that generate heat such as radiators, coolant hoses or metal that is acting as a heat sink. The Module should be located in an area where air flow is available. The HCM module can only be used with standard DOT compliant automotive bulbs. Do not hook up additional lights to the Original Equipment Manufacturers (OEM's) when the HCM is installed. The HCM module is designed to work with standard automotive 12Vdc. electrical systems and has a maximum rating of 15 Amps output. Any use of non standard automotive bulbs or any other wiring, installation or use of the HCM modules that exceeds these specifications, voids and nullifies any implied warranty that may have applied.

Meyer Products LLC.

18513 Euclid Ave. • Cleveland, Ohio 44112-1084

Phone 486-1313 (Area Code 216)

www.meyerproducts.com • email info@meyerproducts.com



Meyer Products LLC.

6 Angell Lane • Damariscotta, ME 04543-4507

Phone 563-2227 (Area Code 207)

www.meyerproducts.com • email info@meyerproducts.com

NOTICE: MEYER PRODUCTS ASSUMES NO RESPONSIBILITY FOR INSTALLATIONS NOT MADE IN ACCORDANCE WITH THESE INSTRUCTIONS.

INSTALLATION INSTRUCTIONS

1. There will be two adapter harnesses, one for the left headlamp and one for the right headlamp. The adapter harness comes complete with connectors already wired ready to install.
2. Mount the lights (1&2) to the light brackets using supplied hardware. Assemble rubber grommets as shown with 1/2" grommet on top. Refer to Figure 6. **Note:** The wire harness exiting from the light housing should be secured against the metal frame of the plow supports. Using tie wraps (supplied), fasten the harness so that it will be located near the grill of the vehicle.
3. Locate the bag marked "Hardware Bag (A)".
 - a) Locate a mounting area for the on/off switch that will not interfere with the operator when entering or exiting the vehicle. Install mounting bracket (13). Using Self Tapping screws (14). Make sure Switch Bracket is in a position so it will not get damaged. Feed the orange (7), red fused wire (8) and black (9) wires through the mounting plate before inserting the switch.
 - b) Route the three (3') foot orange wire (7) through the firewall into the engine compartment. Leave sufficient length of this wire in the engine compartment to connect it later to cable (5) on both the Driver's and Passenger's side.
 - c) The orange wire (7) attaches to the accessory terminal of the switch. The end of the orange wire (7) is provided with a terminal to attach to the light rocker switch (6). **Note the correct position on the switch Figure 3.**
 - d) The 12Vdc power must be connected to a switched ignition circuit. Using the red fused (5 amp.) wire (8) supplied, connect it to a fused 12Vdc power source
4. Install the adapter sets (21) for the vehicle's headlamps following the directions listed below.
 - a) Disconnect the original vehicle's headlamps. Taking one of the adapter harnesses (21), locate the connector for the headlamp (22) and connect. Repeat

- e) The black wire (9) is to be used for the ground connection. Trim the length of wire to suit and using the "forked" spade terminal (12) supplied, connect it to the wire. Fasten it securely to the chassis making sure it is clean of dirt, grease or paint. Attach the other end of the black wire to the accessory switch using the terminal already on the black wire. **Note the connection that is marked on the switch. Figure 3.**
- f) Once all three wire connections have been made to the light rocker switch (6), carefully feed the wires back through the mounting plate. Firmly push the light switch into place in the switch bracket mounting plate (13).

Figure 6

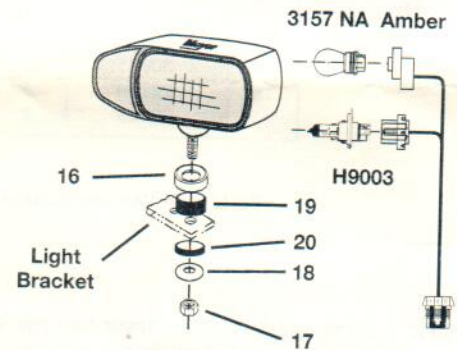
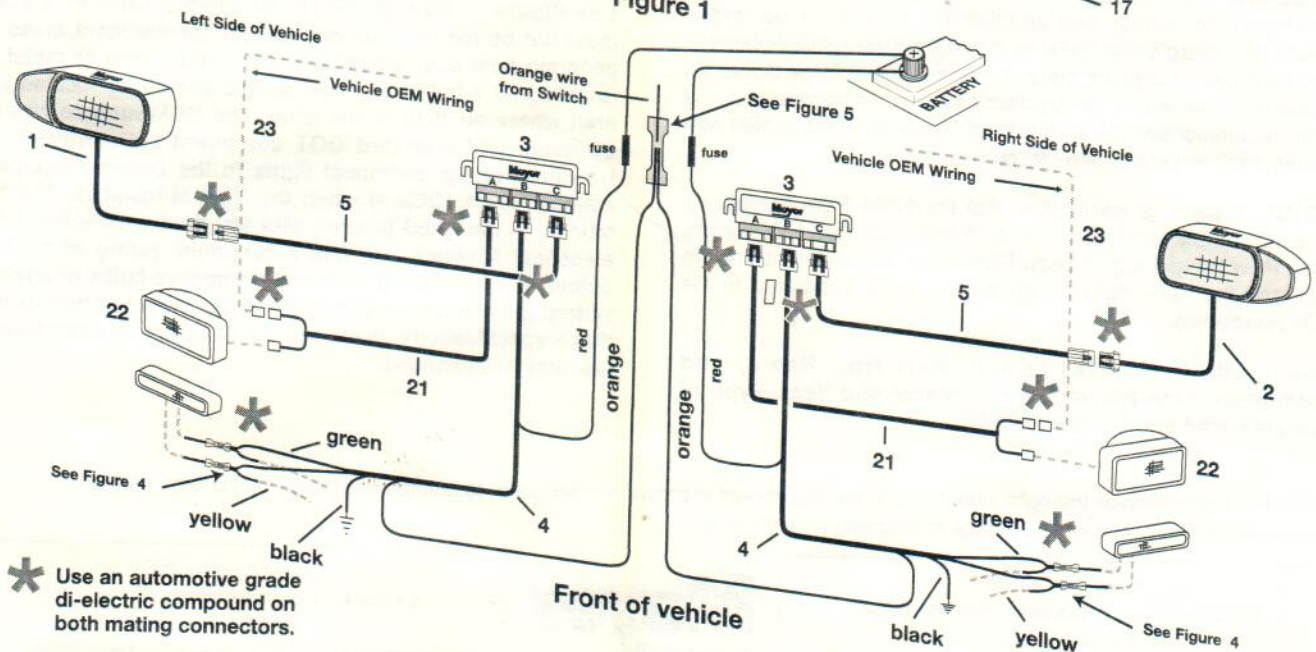
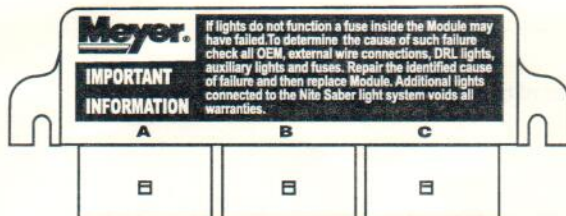


Figure 1



- for the other headlamp using the remaining adapter harness.
- b) Locate the remaining connector on the adapter harness (21). Connect it to the vehicle's harness (23) at the connector that was disconnected from the headlamp originally. Repeat on the other side of the vehicle.
 5. Inside the snow plow lamp carton will be two bags. Inside these bags are all the parts needed to complete the wiring for the vehicle. Please note the parts list for a complete description of what is in each bag.
 6. Install both Headlamp Control Modules (3) in the engine compartment behind each headlamp. Locate the modules as close as possible to the headlamps and try to mount with connectors facing downward. Make sure that they do not interfere with any moving parts and they are surely fastened. Use the nylon tie straps provided to secure the Modules in two places. **See important information on front cover. DO NOT mount module on any engine component that will get HOT.**
 7. Connect Cable (5), to the Control Modules at connector "C" (yellow) and route the cable to the front of the truck grill so that it is accessible from the front and outside of the grill. Secure the end of the cables (5) to the grill with nylon tie straps provided. Connect cables (5) to Snow plow light harness (1&2). These connections should be coated with dielectric compound or tape for added protection. **Refer to Figure 2.**
 8. Locate vehicle's marker light wires and turn signal wires

Figure 2



Module Specifications:

VOLTS	:	12 Vdc
MAX. AMPS LOW BEAM	:	10
MAX. AMPS COMMON	:	15
MAX. AMPS HIGH BEAM	:	15
MAX. AMPS PARK LAMP	:	5
MAX. AMPS TURN LAMP	:	5

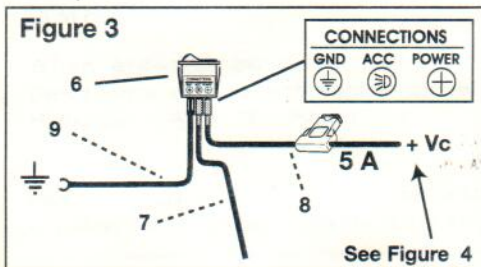


Figure 5



on the right side of the vehicle. Locate Cable (4) in Module carton parts bag. Connect these wires as shown in Figure 1. (No special test light procedure is needed for markers and turn signals.) **Refer to Figure 4 for proper butt splice connector use.**

- a) Connect the green wire coming from Cable (4) to the "positive" wire of the original equipment turn signal. **Refer to Figure 4 for proper butt splice connector use.**
- b) Connect the yellow wire from Cable (4) to the "positive" wire of the original equipment parking light wire. **Refer to Figure 4 for proper butt splice connector use.**
- c) Attach the black ground wire from Cable (4) to a clean ground on the chassis of the vehicle. Crimp the fork spade terminal (12) to the black wire. Use the #10 self tapping screw (15) provided. Make sure this connection is free of grease, paint or dirt.
- d) Attach the orange wires from Cable (4) to the orange wire (7) at the firewall. Use the supplied butt connector (10) to make the connection. **Refer to Figure 5.**
- e) Connect red wire to positive terminal on battery. An appropriate connector will be required. Not supplied in this kit.
- f) Connect the 6 way connector of Cable (4) to the Control Modules (5) at position "B" (green).
- g) The final connection is the "A" connection on the Control Modules. Locate the adapter harness with the black six way connector on one side of the vehicle. Connect it to the connector on the Control Module marked "A" (black). Repeat on the other side of the vehicle. **CAUTION: DO NOT PLUG IN ADAPTER WITH LIGHTS ON.**
10. Verify that installation is correct by turning on the vehicle headlamps, and switching from high to low beam on the vehicle set, then switch over to the plow lamp headlamp set, and check for high and low beam. At any one time, only the plow or vehicle lights should be on, never both sets at once. Verify DRL headlamp function by turning off the vehicle headlamps switch and turning on the ignition key, starting the engine if necessary. You should have DRL function on only one headlamp set (either plow or vehicle, never both). This is true for most installations. Switch over to the other set, and check for proper function.

Important: If lights do not function a fuse inside the Module may have failed. To determine the cause of such failure check all OEM, external wire connections, DRL lights, auxiliary lights and fuses. Repair the identified cause of failure and then replace the Module. Additional lights connected to the Nite Saber light system will void all warranties. Refer to Figure 2.

Figure 4

