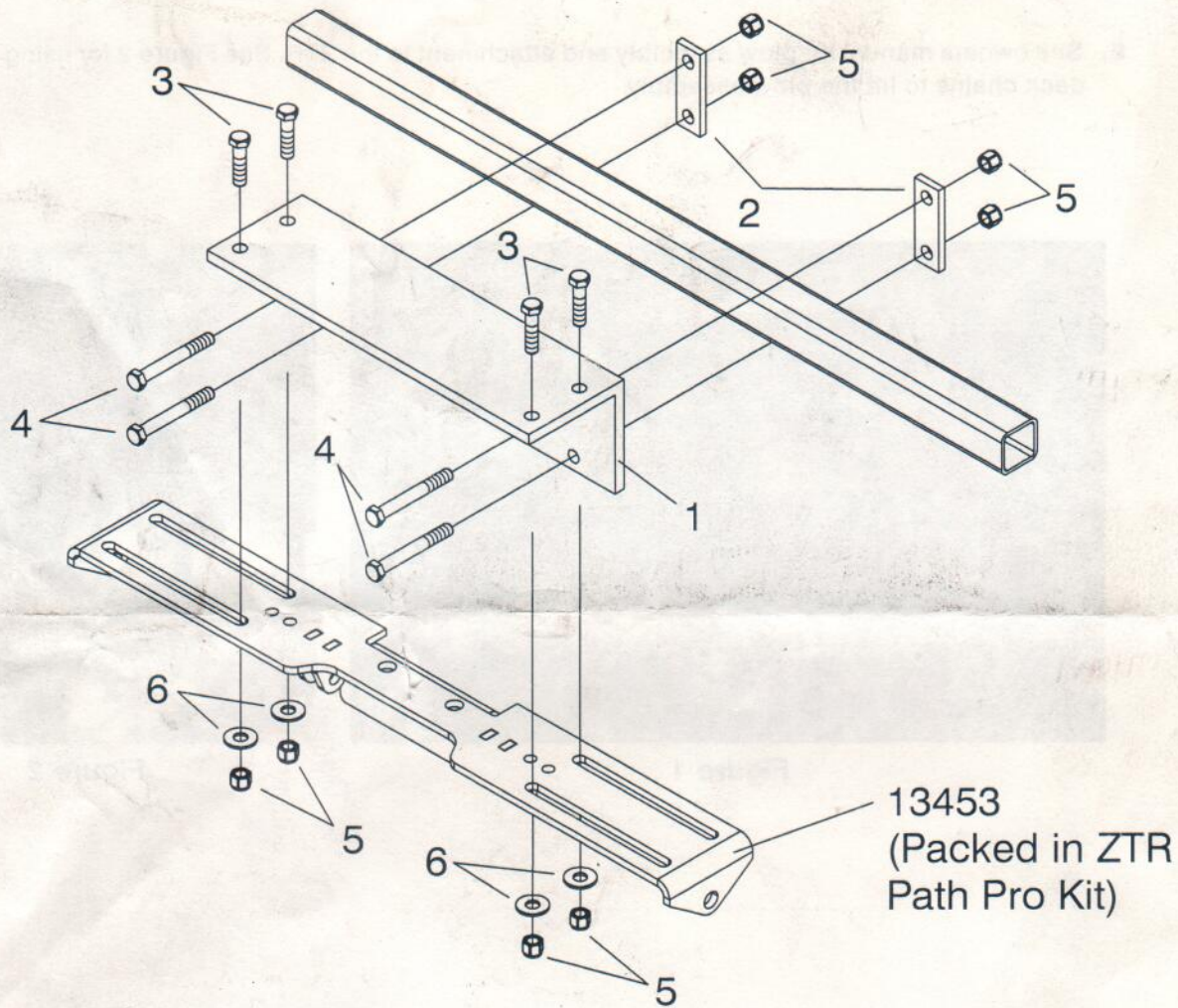


Meyer Path Pro™ Moldboard

Model PP-50", PP-60" & PP-72"

08915 Husqvarna PZ 54 ZTR Mounting Instruction



Parts List

Item	Part No.	Qty.	Description
	08915	1	Husqvarna PZ54 ZTR Mounting Carton
1	13484	1	• Husqvarna Angle Mount
2	13454	2	• Bolt Plate
3	08337	4	• Husqvarna ZTR Hardware Bag
3	20051	4	• Bolt H 3/8-16 x 1-1/2" Gr. 2
4	20069	4	• Bolt H 3/8-16 x 3" Gr. 5
5	20305	8	• Locknut 3/8-16
6	20353	4	• Flatwasher 3/8"

Parts indented are included in the assembly under which they are indented.

HUSQVARNA ZTR MOUNT ASSEMBLY INSTRUCTIONS

- A. Remove the mower deck. Reference your ZTR Owners Guide.
- B. Attach Husqvarna Angle Mount (1) to ZTR cross frame using 3/8-16 x 3 Bolt (4), Bolt Plate (2) and 3/8-16 Locknut (5). Make sure the Angle Mount (1) is centered left to right. See figure 1
- C. Attach 13453 ZTR mounting to Husqvarna Angle Mount (1) using 3/8-16 x 1-1/2 Bolt (3), 3/8" Flatwasher (6) and 3/8-16 Locknut (5). Make sure the 13453 ZTR mounting is centered left to right.
- D. Tighten all bolts to proper torque using torque chart below.
- E. See owners manual for plow assembly and attachment to the ZTR. See Figure 2 for using the Husqvarna deck chains to lift the plow assembly.



Figure 1

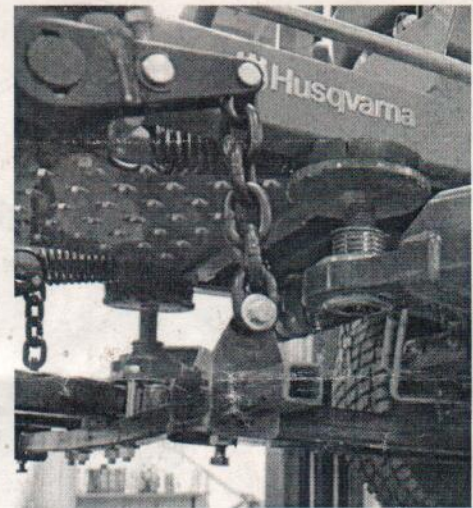


Figure 2

TORQUE CHART FOOT

Bolt Nut Size	Gr. 2	Gr. 5	Gr. 8
1/4 - 20	4 - 5		
5/16 - 18	9 - 11		
3/8 - 16	17 - 20	26 - 29	
7/16 - 14		42 - 46	60 - 66
1/2 - 13		64 - 72	90 - 100
5/8 - 11		127 - 141	179 - 198