

# HD/EX MOUNT KIT

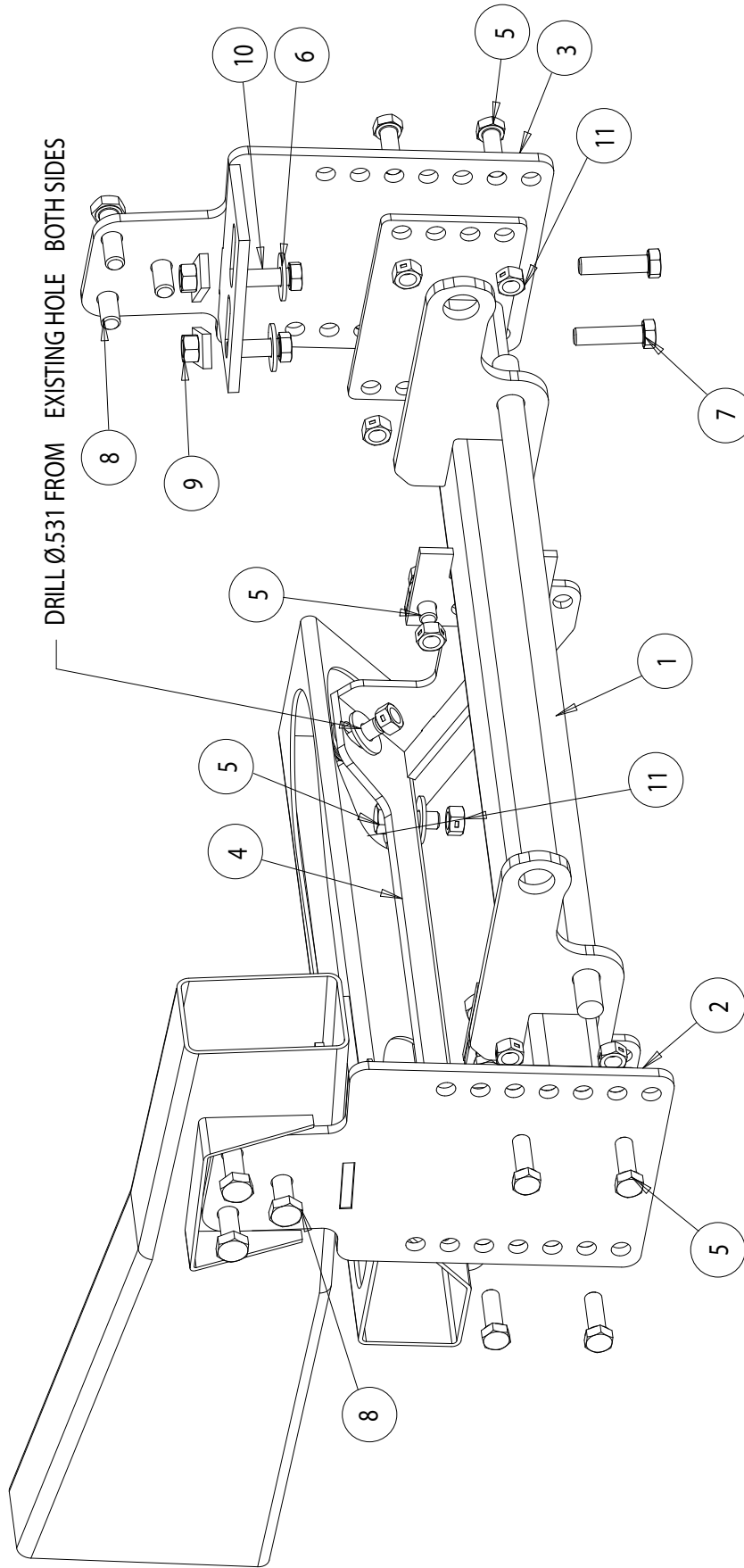
## 16062130

### GM 88-00 CLASSIC



**SnowDogg™ Snowplow**

**TRUCK MOUNT**  
INSTALLATION MANUAL

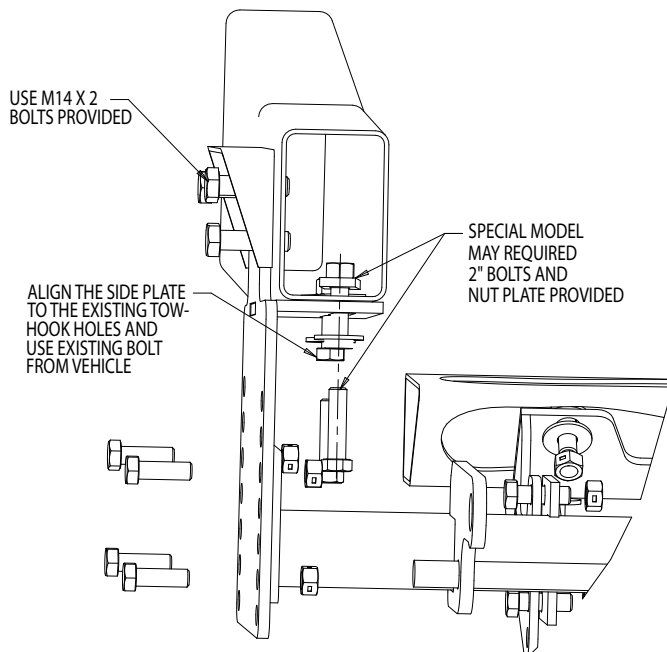


**Parts List**

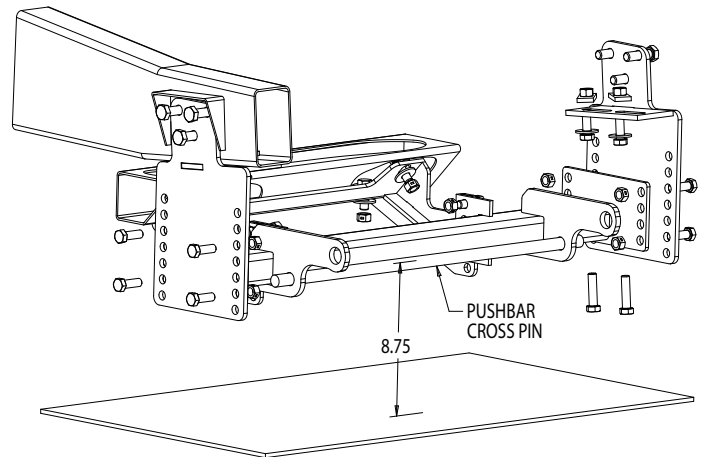
ITEM	PART NO.	QTY.	DESCRIPTION
1	16062108	1	Pushbar, MD GM 1500 99+
2	16062136	1	Bracket, Side Plate Weldment PS
3	16062137	1	Bracket, Side Plate Weldment DS
4	16062139	1	Rear Brace, Support Weldment GM88-00
5	3006202	16	Screw, Hex HD - 1/2-13 X 1-1/2 Gr. 8 ZN
6	FWF050138014	12	Washer, Flat, .500 X 1.38 x .14, ZN
7	3001384	4	Screw, Hex Cap 1/2-13 x 2" Gr. 5 ZN
8	3013479	6	Screw, Hex Cap 1/2-13 x 2" Gr. 5 ZN
9	16062316	4	Plate, Weld-Nut-Bolt Asy
10	16062135	4	Existing Bolt from Vehicle
11	3002397	16	Locknut, Hex 1/2-13, Gr. 8 ZN

## INSTRUCTIONS

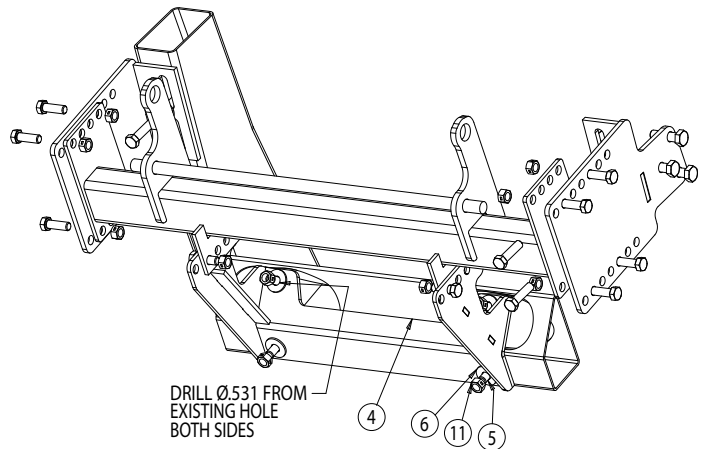
1. Remove the front bumper, bumper fasteners, and skid plate. Set aside for later reinstallation.
2. Remove the tow hooks (if your vehicle option is equipped with them).
3. Hold the **PS SIDE PLATE BRACKET** (2) up against the passenger side frame rail, aligning with the existing hole in the bottom. Secure the Bracket using the existing tow hook fasteners and two **FLAT WASHERS** (6). In some models, it may be necessary to install two **NUT PLATES** (9) and two **½-13 X 2 BOLTS** (7).






4. On the side of the frame, secure the **BRACKET** (2) using three **M14 X 2 X 50 BOLTS** (8).
5. Repeat step 3 above for **DS BRACKET** (3).
6. Mount the **PUSHBAR** (1) in place between the two side plates using eight **½-13X1-1/2 BOLTS** and **LOCKNUTS** (11). The centerline of the pushbar crosspin should be approximately 8.75" from the ground. Improper mounting height will result in uneven cutting edge wear.



7. Install the **REAR BRACE SUPPORT** (4) to the cross member beam using four **½ -13 X 1.5 BOLTS** (5), eight **FLAT WASHERS** (6), and four **½ -13 LOCKNUTS** (11).



8. Secure the **REAR BRACE SUPPORT BRACKET** (4) to the **PUSHBAR** (1) using four **½-13X1.5 BOLTS** (5) and **LOCKNUTS** (11).
9. Torque all fasteners as shown in the chart. Check and re-torque all fasteners after 5 hours of usage to ensure safe plow operation.
10. It may be helpful to route the plow and light control harnesses at this point, prior to bumper reinstallation.
11. Reinstall the bumper/air dam assembly and skid plate. The bumper/air dam and skid plate may need to be altered or omitted for reinstallation.

<b>Recommended Fastener Torque Chart (ft.-lb.)</b>			
Size	 SAE Grade 2	 SAE Grade 5	 SAE Grade 8
1/4-20	6	9	13
5/16-18	11	18	28
3/8-16	19	31	46
3/8-24	24	46	68
7/16-14	30	50	75
1/2-13	45	75	115
9/16-12	66	110	165
5/8-11	93	150	225
3/4-10	150	250	370
7/8-9	150	378	591
1-8	220	583	893

<b>Metric Grade 8.8 (ft.-lb.)</b>			
Size	Torque	Size	Torque
M6	7	M12	60
M8	17	M14	95
M10	35	M16	155

These torque values apply to fasteners except those noted in the instruction.

**WARNING**

- DO NOT under any circumstances disable, remove or relocate any sensors or components related to the operation of the air bags.
- Always follow the vehicle manufacturers' recommendations relating to snowplow installation.
- To comply with Federal Regulations and to assure a safe vehicle, the Front Gross Axle Weight Rating (FGAWR), Rear Gross Axle Weight Rating (RGAWR), and the Gross Vehicle Weight Rating (GAWR) must not be exceeded at any time.
- Due to the variety of equipment that can be installed on this vehicle, it is necessary to verify that the Front Gross Axle Weight Rating (FGAWR), Rear Gross Axle Weight Rating (RGAWR), and the Gross Vehicle Weight Rating (GAWR) are not exceeded at any time. This may require weighing the vehicle and adding ballast as necessary. It may also limit payload capacity of the vehicle. It is the operator's responsibility to verify that these ratings are not exceeded.

**CAUTION**

- Read all instructions prior to assembly
- It is critical that all fasteners be properly torqued for safe plow operation – see chart above.
- Fasteners should be retorqued after 5-8 hours of plow use

**FULL ONE-YEAR WARRANTY**

Manufacturer will repair, or at manufacturer's discretion will replace any part of this snowplow which proves to be defective in workmanship or material under normal use for a period of one year from the date of delivery to the original purchaser. Any cost incurred in returning the product to the supplier is the responsibility of the consumer.

**EXCLUSIONS**

Manufacturer shall not be liable for special, incidental, or consequential damages, or for damages resulting from lack of necessary maintenance, from misuse, abuse, acts of God, or alteration of the product. Some states do not allow the exclusion or limitation of incidental or consequential damages, so the above limitation or exclusion may not apply to you.