



PARTS & INSTALLATION INSTRUCTIONS V-70 QUIK LIFT®

PART LIST

Item	V-70 12v	V-70 24v	Qty.	Description
	15088	15093	1	V-70 Lift and P.A. Ass'y. (Complete)
1	15092	15091	1	• V-70 Lift Ass'y. (Unit only)
2	15633	15633	1	•• Cover
3	05815	05815	1	• Lift Cylinder 1.75 x 8" SAE-6
4	22420	22420	1	• Hose 1/4 x 33" M-6 x Flat Face Seal / Adapter
	07628	07628	2	• Double Acting Wing Ram with Fittings & Hoses
5	05755	05755	2	•• Double Acting Ram 1-1/2" x 12" SAE-6
6	22420	22420	2	•• Hose 1/4 x 33" M-6 x Flat Face Seal / Adapter
7	22418	22418	2	•• Hose 3/8 x 33" M-6 x Flat Face Seal / Adapter
8	22460	22460	4	•• SAE-6 90 Degree Elbow M x F
9	22696	22696	1	• Super Vee Plow Side Harness
10	22691	22691	1	• Universal Truck Side Harness
11	05024	05024	1	• Power Cable
12	22695X	22695X	1	• Super Vee Controller w/ALM & ARM
13	15370	15446	1	• Starter Solenoid
	08792	08792	1	• Hardware Bag 15088
14	15107	15067	1	• Reservoir Breather Steel s/n 0030015088 & earlier
14	15067	15067	1	• Reservoir Breather Plastic s/n 0030115088 & later
15	15634	15634	1	•• Cover Strap
16	20029	20029	4	•• Bolt H 5/16-18 x 1-1/2" Gr. 2
17	20050	20050	2	•• Bolt H 3/8-16 x 1-1/4" Gr. 2
18	20152	20152	2	•• Bolt H 5/8-11 x 5" Gr. 5
18a	20153	20153	2	•• Bolt H 5/8-11 x 5-1/2" Gr. 5
19	20304	20304	4	•• Locknut 5/16-18
20	20309	20309	4	•• Locknut 5/8-11
21	20327	20327	2	•• Lockwasher 3/8"
22	21398	21398	2	•• Self Tapping Screw 1/4-14 x 3/4"
23	22460	22460	1	•• SAE-6 90 Degree Elbow M x F
	08202	08202	1	• Hardware Bag Plug Bracket
24	19607	19607	1	•• Plug Bracket
25	19609	19609	1	•• Plate
26	20027	20027	2	•• Bolt H 5/16-18 x 1 Gr. 2
27	22658	22658	2	•• Bolt H 5/16-18 x 3 Full Thread Gr. 2
28	20326	20326	4	•• 5/16 Lockwasher
29	20525	20525	4	•• 5/16-18 Finish Nut
30	13333	13333	1	• V-70 Mounting Bracket

Parts indented are included in the carton, bag or assembly under which they are indented.

Meyer Products LLC reserves the right, under its continuing product improvement program, to change construction or design details, specifications and prices without notice or without incurring any obligation.

Meyer Products LLC.
 18513 Euclid Ave. • Cleveland, Ohio 44112-1084
 Phone 486-1313 (Area Code 216)
 www.meyerproducts.com • email info@meyerproducts.com



Meyer Products LLC.
 6 Angell Lane • Damariscotta, ME 04543-4507
 Phone 563-2227 (Area Code 207)
 www.meyerproducts.com • email info@meyerproducts.com

GENERAL INFORMATION

CAUTION: Always disconnect battery prior to installation.

SAFETY PRECAUTIONS should be used when **Quik Lift®** is in a **RAISED** position. **LOWER** plow to the ground when vehicle is **PARKED**.

OVERHAUL and SERVICE information is covered on separate instructions.

Note:

1. Connect ground cable to negative side of battery for a solid connection to ground.
2. Caution: Route all cables away from moving engine parts, Manifolds, and sharp sheet metal.
3. For weather protection, tape all electrical connections at front of vehicle.
4. The vehicle must be equipped with a "Heavy Duty Battery" (70 Amp, Hr. Min.), 550 C.C.A. and "Alternator" (60 Amp. Min.) to obtain maximum performance.
5. Follow these instructions explicitly. Warranty does not apply to a Meyer product which has been negligently or improperly assembled or installed.

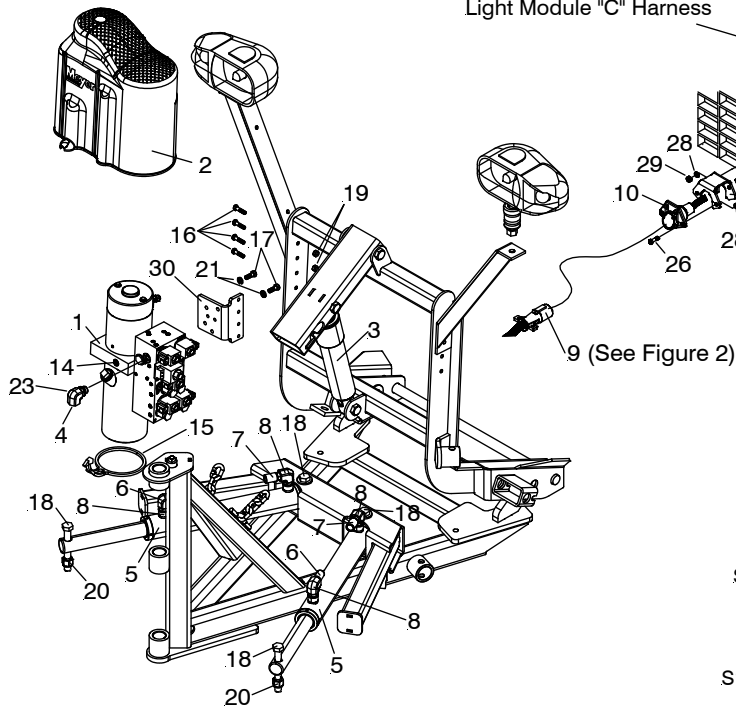


Figure 1

ADDITIONAL BATTERY CONNECTIONS

- When attaching cables to battery with side post terminals, use M.P. Adaptor Part #21976 and attach as shown in Figure 3.
- Figure 3 illustrates the method of using a repair type terminal connector which is original equipment on some vehicles.

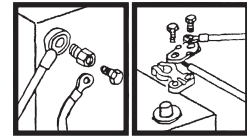


Figure 3

Hydraulic Solenoid Color Code:

OPERATION - SOLENOID COMBINATION

RAISE - Motor Solenoid + S1 + S2

LOWER - Motor Solenoid + S1 + S2 + S3

LEFT ANGLE - Motor Solenoid ONLY

LEFT EXTEND - Motor Solenoid + S5

LEFT RETRACT - Motor Solenoid + S7

RIGHT ANGLE - Motor Solenoid + S3

RIGHT EXTEND - Motor Solenoid + S3 + S6

RIGHT RETRACT - Motor Solenoid + S3 + S7

SCOOP - Motor Solenoid + S2 + S3 + S5 + S6 + S7

VEE - Motor Solenoid + S2 + S3 + S7

COIL COLOR CODE

MOTOR SOLENOID - WHITE WIRE

S1 - RED WIRE

S2 - BLACK WIRE

S3 - GREEN WIRE

S5 - YELLOW WIRE

S6 - BLUE w/WHITE STRIPE

S7 - PURPLE WIRE

GROUND WIRE EACH COIL BLACK W/WHITE STRIPE

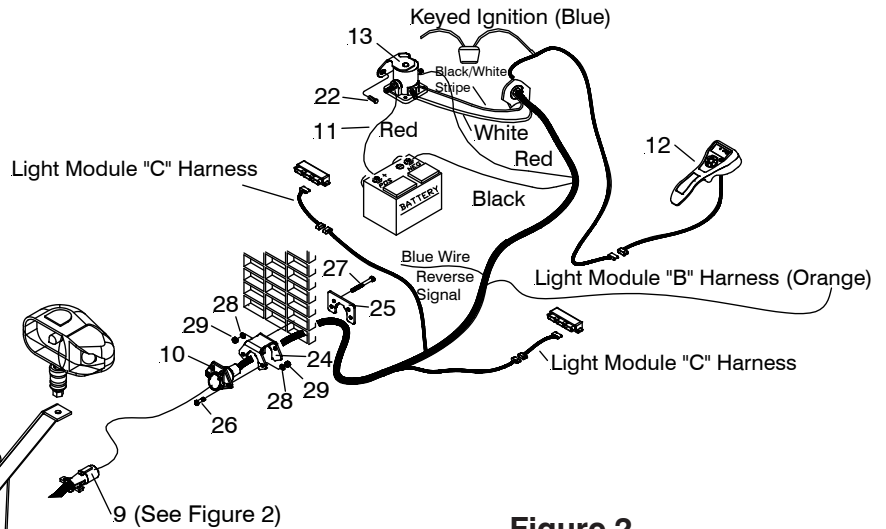
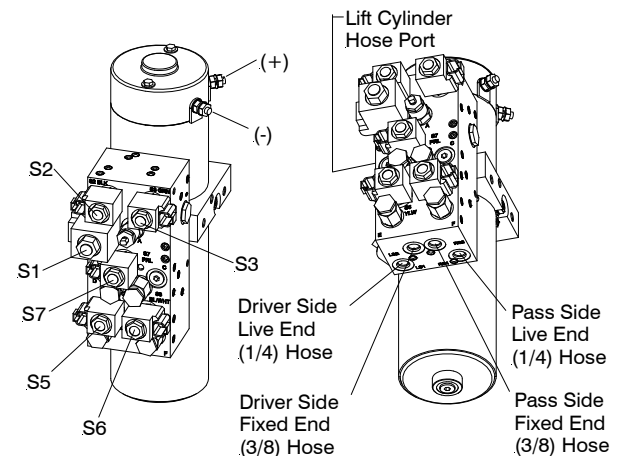


Figure 2



INSTALLATION INSTRUCTIONS

- A. Install the V-70 Mounting Bracket (30) to the Lift Frame and Light Bracket (**Passenger Side**) using 5/16-18 x 1-1/2" Bolts (16) and 5/16-18 Locknuts (19). Install the V-70 Lift Assembly (1) to V-70 Mounting Bracket Assembly and Light Brackets from the CLF Carton(30) using Bolt H 3/8-16 x 1-1/4" (17) and 3/8 Lockwasher (21). Remove shipping plug on V-70 Lift Assembly and install Breather (14). See figure 1.
- B. Attach Lift Arm packed in the CLF Carton to Lift Frame using Bolt H 5/8-11 x 5-1/2" and 5/8-11 Locknut. Attach the Lift Cylinder (3) to the Lift Arm using Bolt H 5/8-11 x 4-3/4" and 5/8-11 Locknut. Attach the Lift Cylinder (3) to the Lift Frame using Bolt H 5/8-11 x 3-1/4" and 5/8-11 Locknut. Attach elbow (23) to V-70 Lift Assembly (1) along with Hose (4) and attach hose (4) to Lift Cylinder (3).

WARNING: Lift arm should be removed from vehicle if / when snow plow is removed.

- C. Attach fixed end of Wing Cylinders (5) to the A-Frame with a 5/8-11 x 5" bolt (18) (for SV 7.5 LD use 5/8"-11 x 5-1/2" bolt (18a)) and 5/8-11 locknut (20) on each side.
- D. Attach live end of Wing Cylinder rod (5) to the Wings using a 5/8-11 x 5" bolt (18) and 5/8-11 locknut (20) on each side.
- E. Attach Wing Cylinders hoses to the V-70 Lift Assembly (1) by removing the caps from the hoses (6 & 7) and plugs from the V-70 Lift Assembly (1). (Do not discard they can be used for servicing the unit). See Figure 2.
- F. Attached the other end of hoses to valve assembly. Thread hose face seal fittings onto the adapters hand tight. Then tighten locking nut another 30 to 45 degrees of rotation. See Figure 2. **Use zip ties to secure and route hoses to avoid contact with moving parts of the plow assembly.**

Wing Cylinders furnished with this carton have been factory filled with the proper amount of fluid. If for any reason it is necessary to add fluid to reservoir or to bleed the Wing Cylinders, proceed as follows:

- a. Remove Fill Plug from reservoir to add fluid during charging and bleeding.
- b. Temporarily loosen both hose connections at the Power Angling Cylinders. Base end of Cylinder must be higher than Rod end to enable trapped air to escape.
- c. Operate the Wings in both directions until fluid leaks out at both points in a steady flow.
- d. Retighten the hose connections.

NOTE: Proper fluid level is to the bottom of the filler neck. It must be checked with the lift arm fully retracted.

- G. Run Universal Truck Side Harness (10) through a hole in grille and into the engine compartment. Sandwich vehicle grill between Plug Bracket (24) and Plate (25) using Bolt H 5/16-18 x 3" (27), 5/16 Lockwasher (28) and 5/16-18 Finish nut (29). Secure Universal Truck Side Harness (10) to Plug Bracket (24) using Bolt H 5/16-18 x 1" (26), 5/16 Lockwasher (28) and 5/16-18 Finish nut (29).

Caution: Secure Universal Truck Side Harness (18) from any hot / moving parts with tie wraps as needed.

- H. Drill a 1-1/4" Diameter Hole thru firewall to extend the harness into the cab of the vehicle. Fused lead from Universal Truck Side Harness (10) must be attached to terminal in fuse panel that is activated only when the ignition key is "on."
- I. Install Motor Solenoid (13) to metal surface in engine compartment using Self Tapping Screws (22). (Solenoid must be grounded to operate). Attach Red Power Cable (10) to a large terminal on Motor Solenoid (13). Attach Black Ground Cable (10) to negative (-) terminal of battery. Attach Red Power Cable (11) to positive (+) terminal of battery and remaining large terminal on Motor Solenoid (13). Attach small white wire from harness (10) to small terminal (S) on Motor Solenoid (13). Attach small Black/white stripe wire from harness (10) to small terminal (I)(ground) on Motor Solenoid (13) Attach Blue wire to a reverse signal on the vehicle.

For snow plow light installation see separate instructions.

Orange wire on Harness (10) will attach to both orange wires of the "B" harness supplied in the Light Module Kit. Reference Form 1-757

Route Cables "C" (Yellow) from module to Harness (10). Connect both "C" Harness female ends to the male corresponding ends of the Harness (10).

Connect both male ends from the snow plow light to the female ends on the Super-V Plow Side Harness (9).

Check snow plow light blinkers to make sure the wires have not been reversed.

Note: All electrical connections should have both ends coated with a dielectric grease prior to final installation. This will ensure a good connection and help in preventing corrosion.

- J. Refer to Operation and Maintenance Manual for complete controller operation.
- K. After all electrical connections have been made the drop speed of the plow may be evaluated / adjusted. To adjust, loosen up the hex nut and adjust in to slow the drop speed and out to make it faster. After ideal drop speed it achieved, retighten the hex nut. See Figure 4.

After cycling of the plow, recheck oil level.

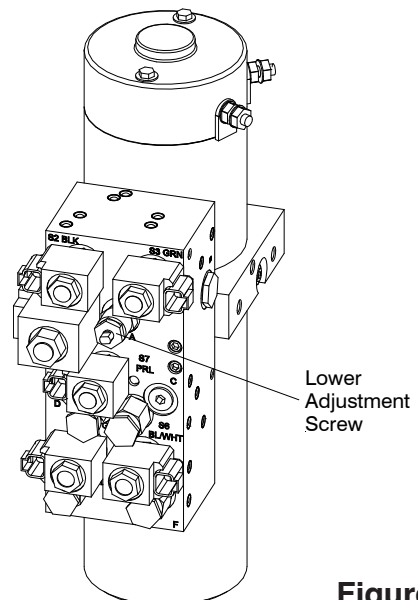


Figure 4