

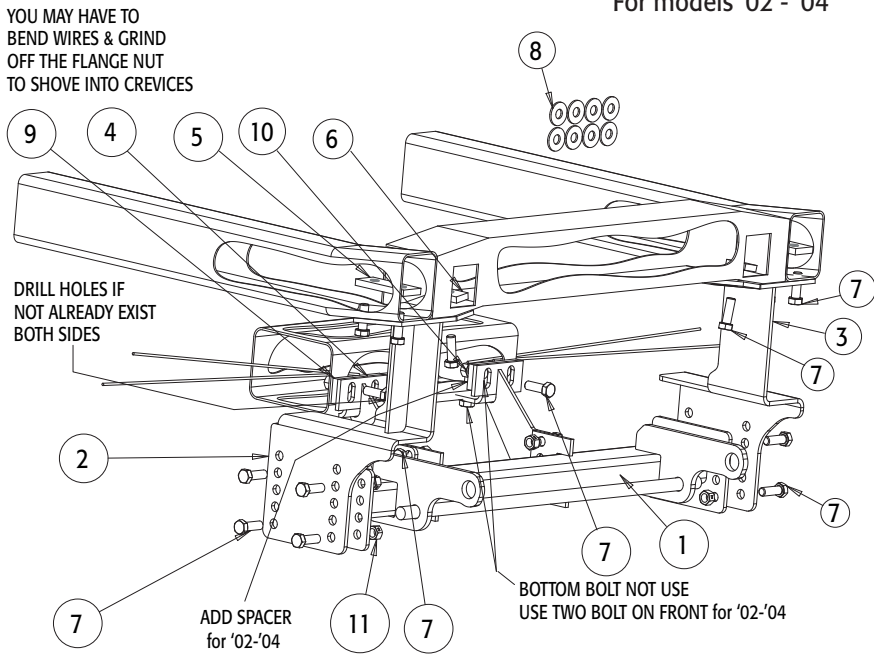


# **SnowDogg<sup>®</sup> Snowplow**

## **MD TRUCK MOUNT INSTALLATION MANUAL**

**KIT 16064105  
JEEP LIBERTY '02-'07**

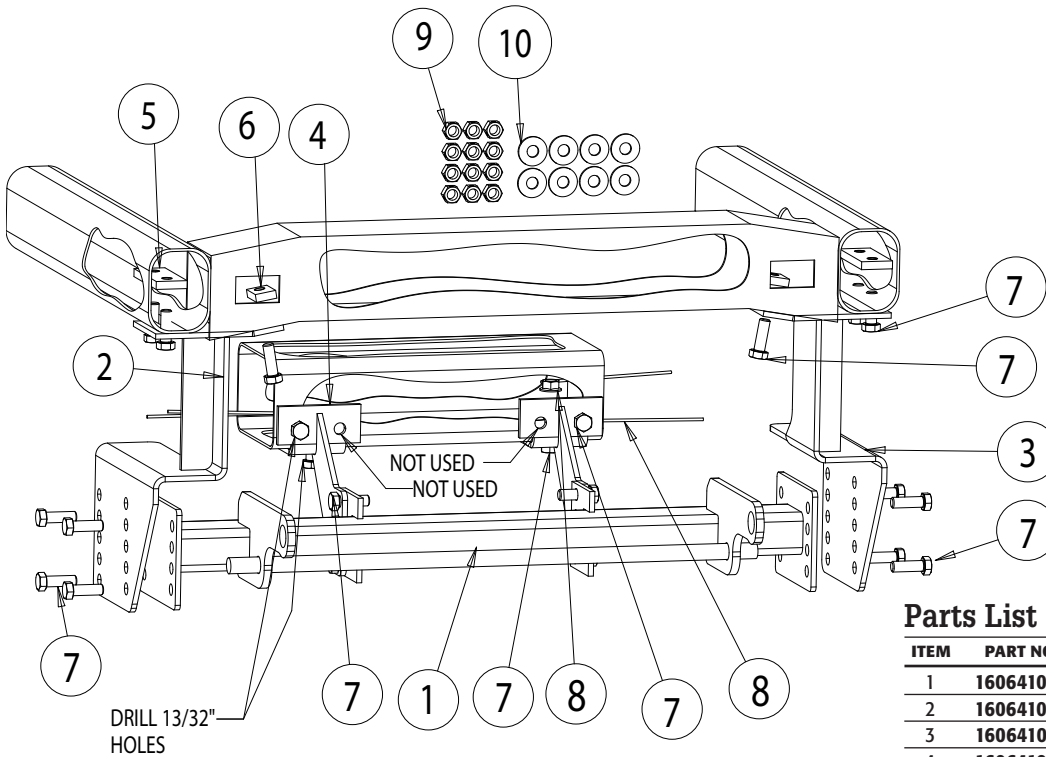
For models '02 - '04



**Parts List**

ITEM	PART NO.	QTY.	DESCRIPTION
1	16064108	1	Pushbar, Liberty 02+
2	16064106	1	Plate, Side PS Liberty 02-07
3	16064107	1	Plate, Side DS Liberty 02-07
4	16064109	2	Angle, X-Member
5	3012978	2	Plate, Bolt
6	3012979	2	Plate, Bolt Single
7	3006202	22	Screw, Hex HD - 1/2-13 x 1-1/2 Gr. 8 ZC
8	FWF050138014	8	Washer, Flat, .500 x 1.38 x .14, ZN
9	3015647	2	Spacer, Back Brace
10	3011523	4	Nut, Hex, 1/2-13 w/ Handle, GR8
11	3002397	12	Locknut, Hex 1/2-13, Zinc Gr. 8

For models '05 - '07






**Parts List**

ITEM	PART NO.	QTY.	DESCRIPTION
1	16064108	1	Pushbar, Liberty 02+
2	16064106	1	Plate, Side PS Liberty 02+
3	16064107	1	Plate, Side DS Liberty 02+
4	16064109	2	Brace, Rear
5	3012978	2	Plate, Bolt
6	3012979	2	Plate, Bolt Single
7	3006202	22	Screw, Hex HD - 1/2-13 x 1-1/2 Gr. 8 ZC
8	16064110	4	Nut, Flange and Rod
9	3002397	12	Locknut, Hex 1/2-13, Zinc Gr. 8
10	FWF050138014	8	Washer, Flat, .500 x 1.38 x .14, ZN

## INSTRUCTIONS

- 1.** Remove the front bumper and air dam assembly. These are retained with plastic pop rivets that will need to be removed. In some locations it may be necessary to drill them out. These cannot be reinstalled, and should be replaced with fasteners (not included).
- 2.** Remove the two covers from the end of the frame rails. Retain fasteners.
- 3.** Remove the tow hooks (if vehicle has optional tow hooks).
- 4.** Remove the skid plate, this will not be reinstalled.
- 5.** Fasten the PS Side Plate (2) onto the front frame use three ½-13x1.5 bolts with the Double (5) and Single (6) bolt plates as shown.
- 6.** Repeat for the DS Side Plate (3).
- 7.** Mount the Pushbar (1) in place between the two side plates using eight ½-13x1-1/2 bolts and locknuts. The centerline of the pushbar crosspin should be approximately 9-1/2" from the ground. Improper mounting height will result in uneven cutting edge wear.
- 8.** Mount the two Rear Braces (4) onto the Push Bar (1) using four ½-13x1-1/2 bolts and locknuts. Clamp the Rear Braces to the vehicle cross member.
- 9.** Using the Rear Braces as a template, drill 4x Ø13/32" holes as shown and secure to the cross member using four ½-13x1-1/2 bolts and the Flange Nuts w/Handles. It will be necessary to bend the handles to locate the Flange Nuts. The handles should be cut/ground off.
- 10.** Torque all fasteners as shown in the chart. Check and retorque all fasteners after 5 hours of usage to ensure safe plow operation.
- 11.** Reinstall the two covers over the frame rail ends.
- 12.** It may be helpful to route the plow and light control harnesses at this point, prior to bumper reinstallation.
- 13.** Reinstall the bumper/air dam assembly. The bumper/air dam may need to be altered or omitted for reinstallation.

<b>Recommended Fastener Torque Chart (ft.-lb.)</b>			
Size	 SAE Grade 2	 SAE Grade 5	 SAE Grade 8
1/4-20	6	9	13
5/16-18	11	18	28
3/8-16	19	31	46
3/8-24	24	46	68
7/16-14	30	50	75
1/2-13	45	75	115
9/16-12	66	110	165
5/8-11	93	150	225
3/4-10	150	250	370
7/8-9	150	378	591
1-8	220	583	893

<b>Metric Grade 8.8 (ft.-lb.)</b>			
Size	Torque	Size	Torque
M6	7	M12	60
M8	17	M14	95
M10	35	M16	155

These torque values apply to fasteners except those noted in the instruction.

**WARNING**

- DO NOT under any circumstances disable, remove or relocate any sensors or components related to the operation of the air bags.
- Always follow the vehicle manufacturers' recommendations relating to snowplow installation.
- To comply with Federal Regulations and to assure a safe vehicle, the Front Gross Axle Weight Rating (FGAWR), Rear Gross Axle Weight Rating (RGAWR), and the Gross Vehicle Weight Rating (GAWR) must not be exceeded at any time.
- Due to the variety of equipment that can be installed on this vehicle, it is necessary to verify that the Front Gross Axle Weight Rating (FGAWR), Rear Gross Axle Weight Rating (RGAWR), and the Gross Vehicle Weight Rating (GAWR) are not exceeded at any time. This may require weighing the vehicle and adding ballast as necessary. It may also limit payload capacity of the vehicle. It is the operator's responsibility to verify that these ratings are not exceeded.

**CAUTION**

- Read all instructions prior to assembly
- It is critical that all fasteners be properly torqued for safe plow operation – see chart above.
- Fasteners should be retorqued after 5-8 hours of plow use

**FULL ONE-YEAR WARRANTY**

Manufacturer will repair, or at manufacturer's discretion will replace any part of this snowplow which proves to be defective in workmanship or material under normal use for a period of one year from the date of delivery to the original purchaser. Any cost incurred in returning the product to the supplier is the responsibility of the consumer.

**EXCLUSIONS**

Manufacturer shall not be liable for special, incidental, or consequential damages, or for damages resulting from lack of necessary maintenance, from misuse, abuse, acts of God, or alteration of the product. Some states do not allow the exclusion or limitation of incidental or consequential damages, so the above limitation or exclusion may not apply to you.