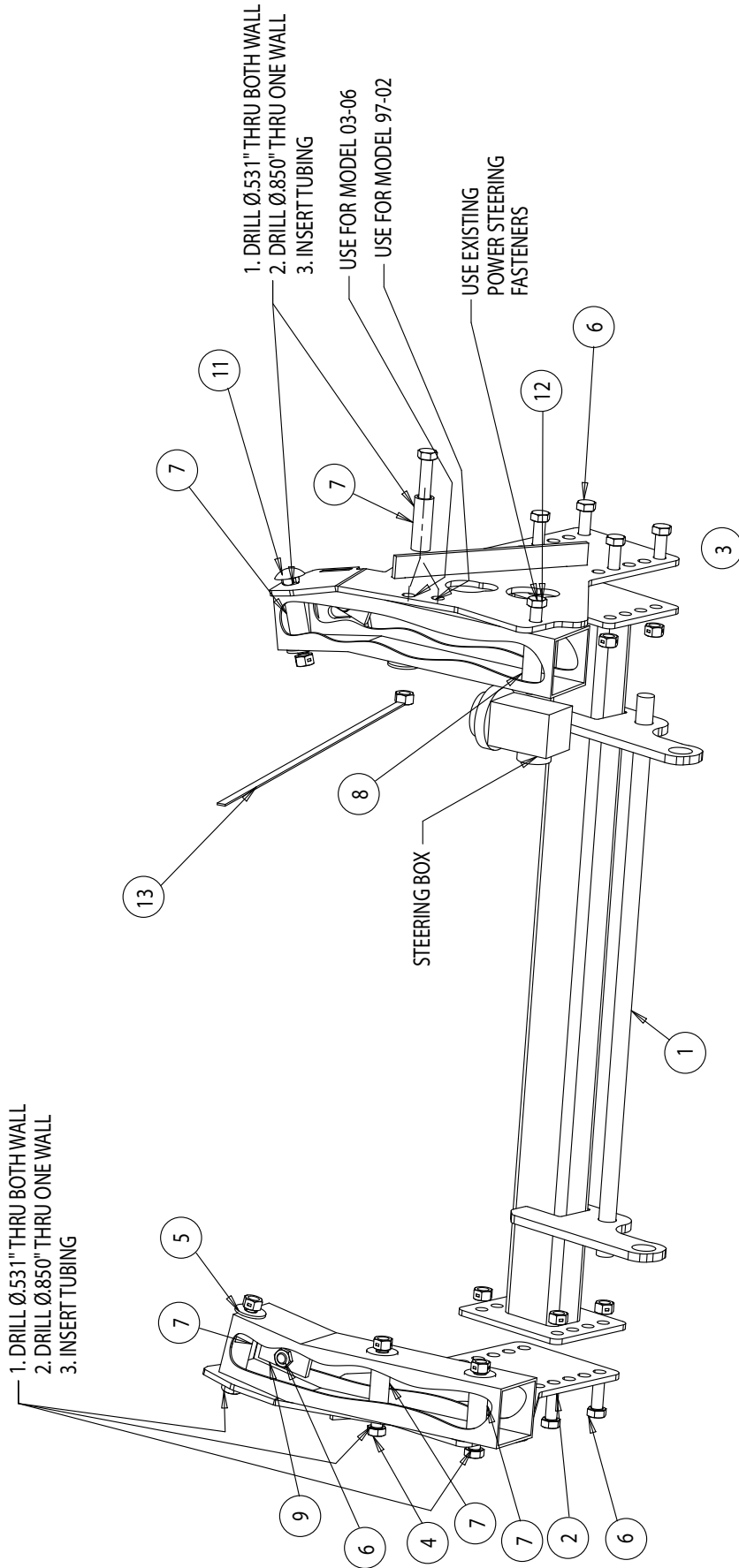


MD MOUNT KIT 16064215 JEEP WRANGLER '97-'06



SnowDogg™ Snowplow

TRUCK MOUNT INSTALLATION MANUAL



Parts List

ITEM	PART NO.	QTY.	DESCRIPTION
1	16064217	1	Push Bar, Mount Wrangler 97-06
2	16064216	1	Bracket, Side Plate Weldment DS
3	16064218	1	Bracket, Side Plate Weldment DS
4	3005140	4	Screw, HH 1/2-13 x 3.5, Gr. 5 ZN
5	FWF050138014	5	Washer, Flat, .500 x 1.38 x .14, ZN
6	3006202	10	Screw, Hex HD - 1/2-13 x 1-1/2 Gr. 8 ZN
7	3013473	5	Spacer, Tubing 2.38 Long
8	3013474	1	Spacer, Tubing 2.49 Long
9	16064219	2	Plate, Nut Weldment
10	3002397	12	Locknut, Hex 1/2-13, ZN Gr. 8
11	FCB050013350	1	1/2-13 x 3.5 Carriage Bolt Gr. 5
12	Vehicle-Bolt	1	Screw, Hex HD - 1/2-13 x 1-1/2 Gr. 8 ZN
13	3011523	1	Nut, Hex, 1/2-13 w/Handle, Gr. 8




INSTRUCTIONS

- 1.** Remove the front bumper, bumper fasteners, and skid plate. Set aside for later reinstallation.
- 2.** Remove the tow hooks (if your vehicle option is equipped with them).
- 3.** Hold the PS Side Plate Bracket (3) up against the passenger side frame rail, aligning with the existing hole in the bottom. Set it aside for now. Insert the Nut Plate (9) through the hole in the bottom. Re-align the PS Side Bracket with Nut Plate hole.
- 4.** Secure the Bracket using one ½-13 x 1.5 Bolt (6) and one nut plate (9).
- 5.** On the side of the frame, using the Bracket as a template, drill through three holes on both side of the wall with Ø.531 diameter clearance. Then, drill through three holes Ø.850 on one side of the frame. Insert the three Tubing Spacers (7&8). Secure the Bracket using three ½-13 locknuts (10) and three flat washers (5).

Note:

Drilling is done from the outside of the frame.

- 6.** Repeat step 3 above for DS Bracket with one exception. Use the existing fasteners where the power steering unit was held and the nut with handle (13) for the middle hole.
- 7.** Mount the Pushbar (1) in place between the two side plates using eight ½-13x1-1/2 bolts (6) and eight locknuts (10). The centerline of the pushbar crosspin should be approximately 10" from the ground. Improper mounting height will result in uneven cutting edge wear.
- 8.** Torque all fasteners as shown in the chart. Check and re-torque all fasteners after 5 hours of usage to ensure safe plow operation.
- 9.** It may be helpful to route the plow and light control harnesses at this point, prior to bumper reinstallation.
- 10.** Reinstall the bumper/air dam assembly and skid plate. The bumper/air dam and skid plate may need to be altered or omitted for reinstallation.

Recommended Fastener Torque Chart (ft.-lb.)			
Size	 SAE Grade 2	 SAE Grade 5	 SAE Grade 8
1/4-20	6	9	13
5/16-18	11	18	28
3/8-16	19	31	46
3/8-24	24	46	68
7/16-14	30	50	75
1/2-13	45	75	115
9/16-12	66	110	165
5/8-11	93	150	225
3/4-10	150	250	370
7/8-9	150	378	591
1-8	220	583	893

Metric Grade 8.8 (ft.-lb.)			
Size	Torque	Size	Torque
M6	7	M12	60
M8	17	M14	95
M10	35	M16	155

These torque values apply to fasteners except those noted in the instruction.

WARNING

- DO NOT under any circumstances disable, remove or relocate any sensors or components related to the operation of the air bags.
- Always follow the vehicle manufacturers' recommendations relating to snowplow installation.
- To comply with Federal Regulations and to assure a safe vehicle, the Front Gross Axle Weight Rating (FGAWR), Rear Gross Axle Weight Rating (RGAWR), and the Gross Vehicle Weight Rating (GAWR) must not be exceeded at any time.
- Due to the variety of equipment that can be installed on this vehicle, it is necessary to verify that the Front Gross Axle Weight Rating (FGAWR), Rear Gross Axle Weight Rating (RGAWR), and the Gross Vehicle Weight Rating (GAWR) are not exceeded at any time. This may require weighing the vehicle and adding ballast as necessary. It may also limit payload capacity of the vehicle. It is the operator's responsibility to verify that these ratings are not exceeded.

CAUTION

- Read all instructions prior to assembly
- It is critical that all fasteners be properly torqued for safe plow operation – see chart above.
- Fasteners should be retorqued after 5-8 hours of plow use

FULL ONE-YEAR WARRANTY

Manufacturer will repair, or at manufacturer's discretion will replace any part of this snowplow which proves to be defective in workmanship or material under normal use for a period of one year from the date of delivery to the original purchaser. Any cost incurred in returning the product to the supplier is the responsibility of the consumer.

EXCLUSIONS

Manufacturer shall not be liable for special, incidental, or consequential damages, or for damages resulting from lack of necessary maintenance, from misuse, abuse, acts of God, or alteration of the product. Some states do not allow the exclusion or limitation of incidental or consequential damages, so the above limitation or exclusion may not apply to you.