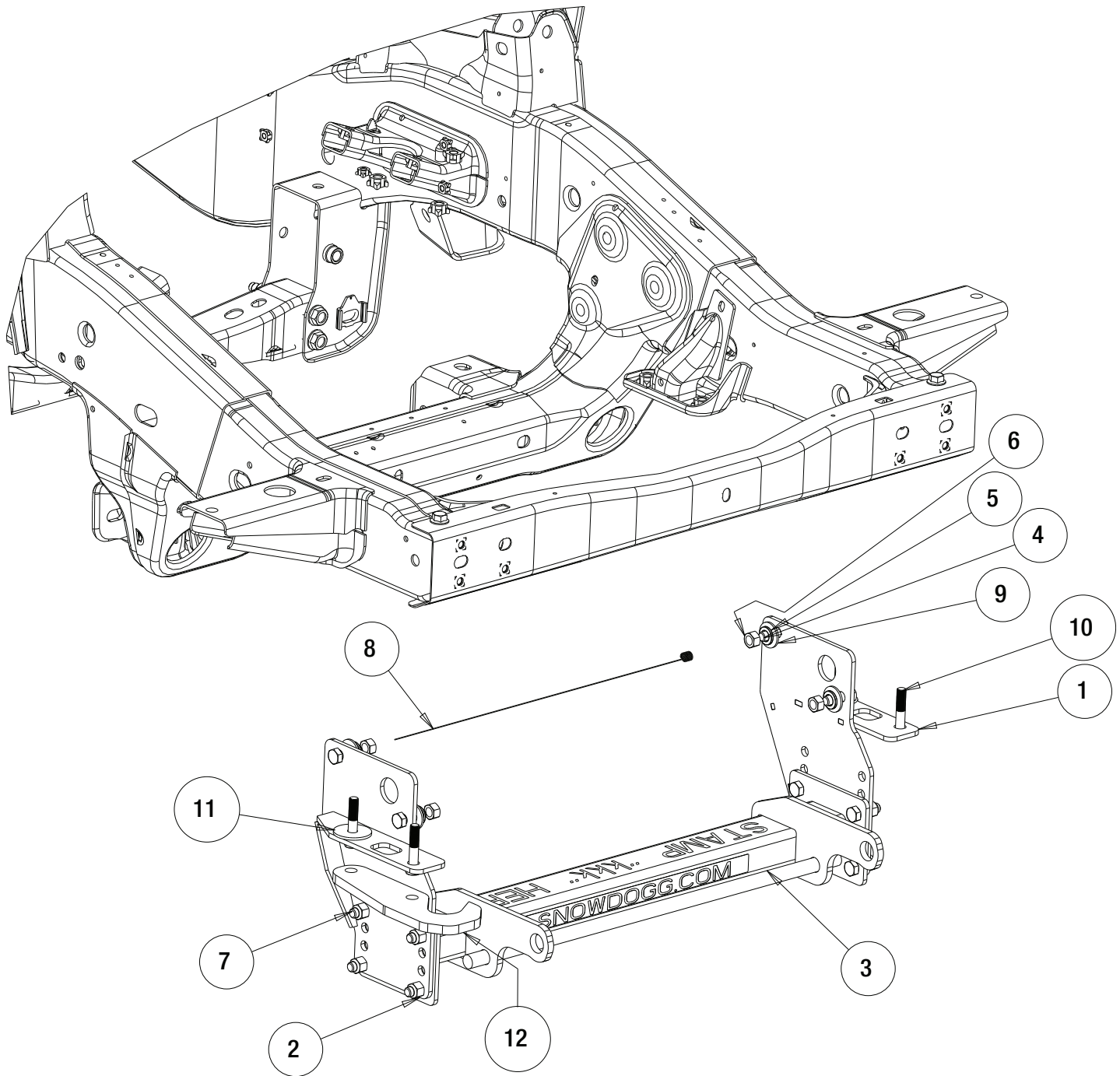


MD MOUNT KIT 16066145 NISSAN TITAN XD 16+



SnowDogg™ Snowplow

TRUCK MOUNT INSTALLATION MANUAL



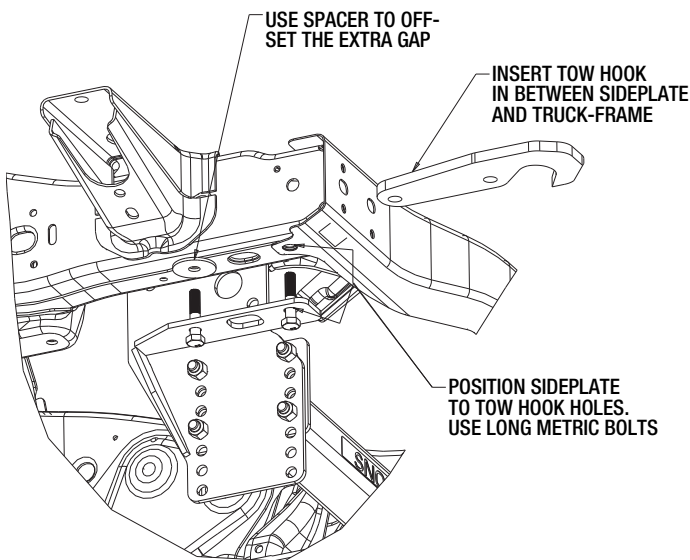
Bill of Materials

ITEM	PART NO.	QTY.	DESCRIPTION
1	16066146	1	SIDEPLATE WELDMENT, PS, TITAN XD
2	16066147	1	SIDEPLATE WELDMENT, DS, TITAN XD
3	16066144	1	PUSH BAR, TITAN XD, 18+
4	3006202	12	SCREW, HEX HD - 1/2-13 X 1-1/2 GR 8 ZC
5	FWL050088013	4	WASHER, LOCK - 1/2 SPLIT ZN
6	3006201	4	NUT, 1/2-13 HEX GR. 8 ZP

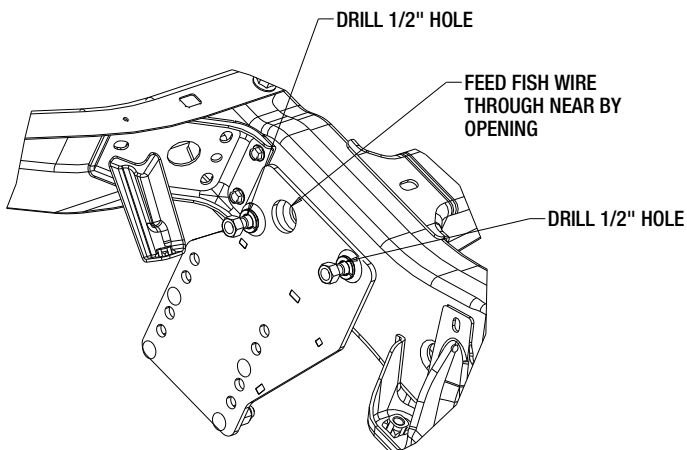
ITEM	PART NO.	QTY.	DESCRIPTION
7	3002397	8	LOCKNUT, HEX NYLOCK, 1/2-13 ZN, G8
8	3002169	1	WIRE, FISH
9	FWF050138014	4	WASHER, FLAT, 1/2" USS, ZN
10	3041024	4	SCREW, M12X1.25X60MM, G8.8
11	3024340	4	WASHER, CUSTOM, 1.998ODX.530IDX.131THI
12	-	1	VEHICLE TOW HOOK

INSTRUCTIONS

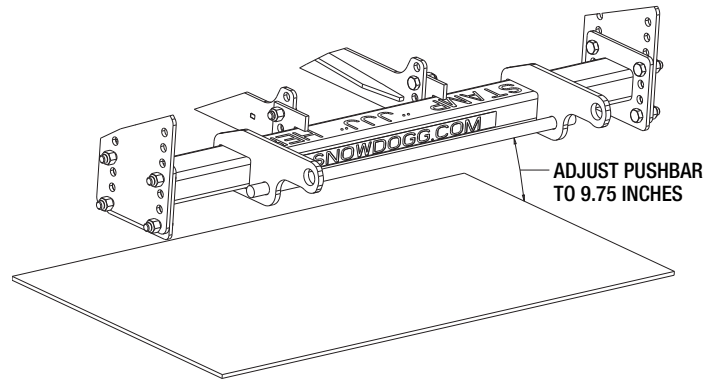
1. Remove bottom plastic skidplate below the engine. This will have to be cut/modified after the truck mount is installed.
2. For this installation, the plastic perimeter under the bumper will need to be modified or removed to clear room for the Pushbar adjustment. A slot cut is recommended.
3. Remove the tow hook from the frame temporarily. Hold the PS Sideplate (1) up against the PS frame. Place tow hook between the Sideplate (1) and truck frame. Install two long metric bolts (10) onto the Sideplate.






4. On the inside of the frame, use the Sideplate as a template and drill out two holes for 1/2" bolts. Feed two 1/2" bolts (4) through near by opening with the fish wire. Secure the holes with two 1/2" nuts (6) and washers (5,9).



5. Repeat step number 2 to 4 for the Driver Side (2) Sideplate.
6. Install the Pushbar (3) between the two Sideplates using eight 1/2-13x1.5" screws (4) and eight nuts (7). The center line of the push bar Cross Pin should be approximately 9.75" from the level ground. It may be necessary to notch the bumper to clear room for the pushbar height adjustment.



7. Torque all fasteners as shown in the chart. Check and re-torque all fasteners after 5 hours of usage to ensure safe plow operation. Ensure all coolant lines and wires are clear from moving or hot components.

Recommended Fastener Torque Chart (ft.-lb.)			
Size	 SAE Grade 2	 SAE Grade 5	 SAE Grade 8
1/4-20	6	9	13
5/16-18	11	18	28
3/8-16	19	31	46
3/8-24	24	46	68
7/16-14	30	50	75
1/2-13	45	75	115
9/16-12	66	110	165
5/8-11	93	150	225
3/4-10	150	250	370
7/8-9	150	378	591
1-8	220	583	893
Metric Grade 8.8 (ft.-lb.)			
Size	Torque	Size	Torque
M6	7	M12	60
M8	17	M14	95
M10	35	M16	155
These torque values apply to fasteners except those noted in the instruction.			

WARNING

- DO NOT under any circumstances disable, remove or relocate any sensors or components related to the operation of the air bags.
- Always follow the vehicle manufacturers' recommendations relating to snowplow installation.
- To comply with Federal Regulations and to assure a safe vehicle, the Front Gross Axle Weight Rating (FGAWR), Rear Gross Axle Weight Rating (RGAWR), and the Gross Vehicle Weight Rating (GAWR) must not be exceeded at any time.
- Due to the variety of equipment that can be installed on this vehicle, it is necessary to verify that the Front Gross Axle Weight Rating (FGAWR), Rear Gross Axle Weight Rating (RGAWR), and the Gross Vehicle Weight Rating (GAWR) are not exceeded at any time. This may require weighing the vehicle and adding ballast as necessary. It may also limit payload capacity of the vehicle. It is the operator's responsibility to verify that these ratings are not exceeded.

CAUTION

- Read all instructions prior to assembly
- It is critical that all fasteners be properly torqued for safe plow operation – see chart above.
- Fasteners should be retorqued after 5-8 hours of plow use

FULL ONE-YEAR WARRANTY

Manufacturer will repair, or at manufacturer's discretion will replace any part of this snowplow which proves to be defective in workmanship or material under normal use for a period of one year from the date of delivery to the original purchaser. Any cost incurred in returning the product to the supplier is the responsibility of the consumer.

EXCLUSIONS

Manufacturer shall not be liable for special, incidental, or consequential damages, or for damages resulting from lack of necessary maintenance, from misuse, abuse, acts of God, or alteration of the product. Some states do not allow the exclusion or limitation of incidental or consequential damages, so the above limitation or exclusion may not apply to you.