

MD MOUNT KIT

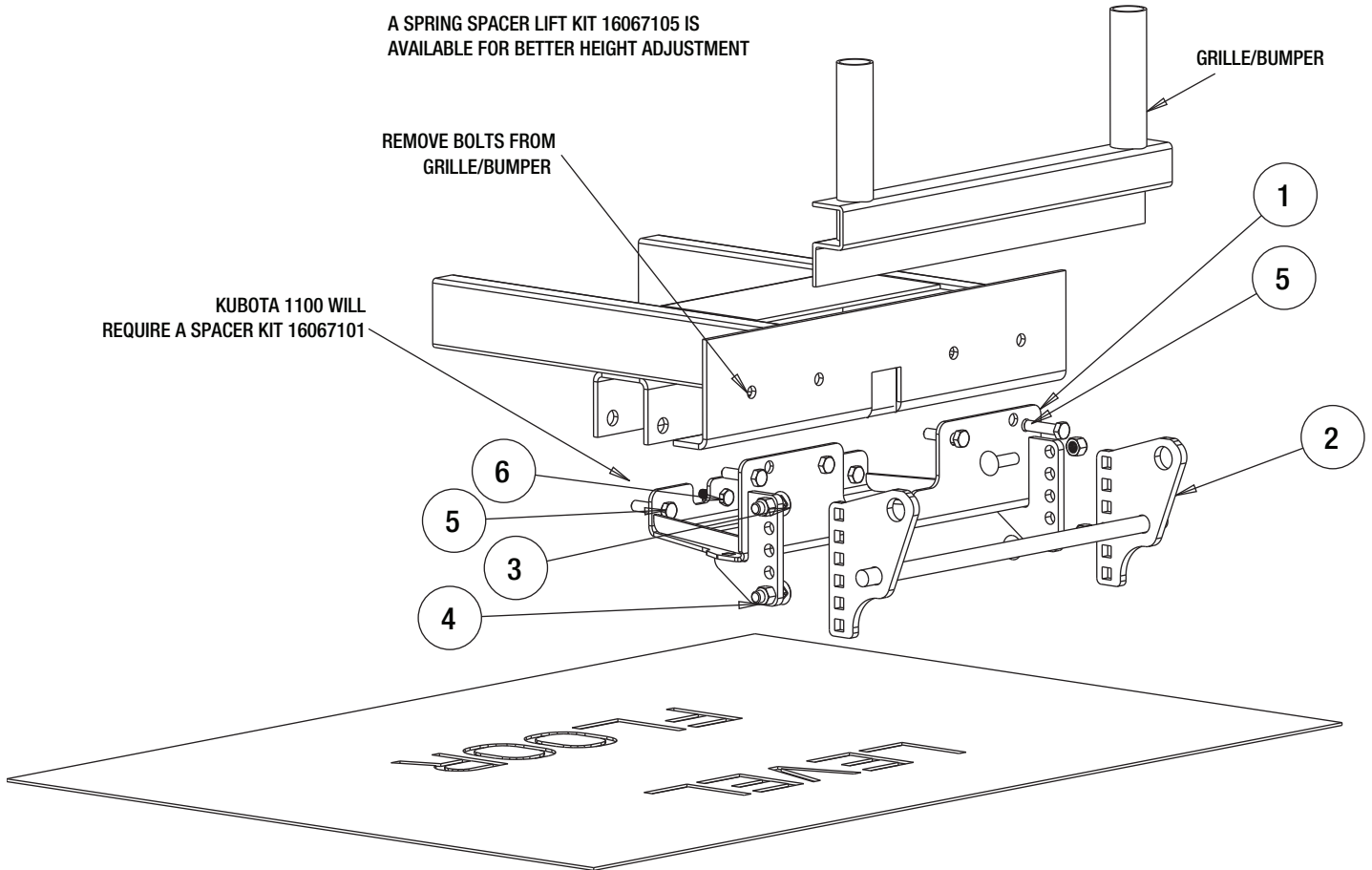
16067100A

2004+ KUBOTA RTV
900, 1140, X1100, X1120, 1100



SnowDogg® Snowplow

TRUCK MOUNT INSTALLATION MANUAL

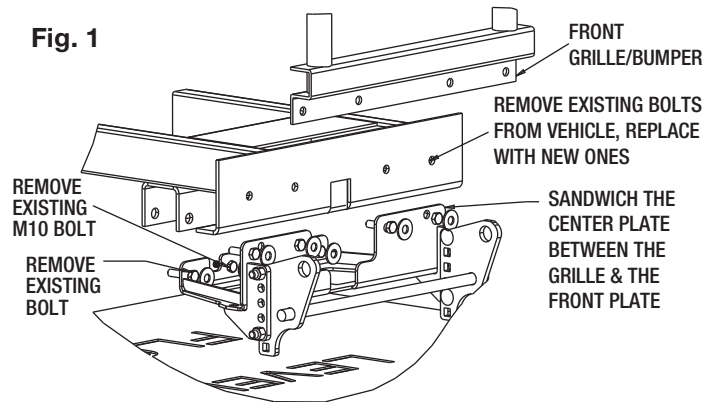


Parts List

ITEM	PART NO.	QTY.	DESCRIPTION
1	16066316	1	MOUNT, CENTER PC, WELDMENT
2	16067104	1	PUSHBAR, KUBOTA UTV STYLE
3	3029357	4	BOLT, CARRIAGE 1/2-13 X 1.75 GR8 ZN
4	3002397	4	LOCKNUT, HEX NYLOCK, 1/2-13 ZN, G8
5	3012986	6	SCREW M12-1.25x 50 MM HH CLASS 8.8 ZN
6	3015146	2	SCREW M10-1.25X 35 MM HH CLASS 8.8 ZN

INSTRUCTIONS

1. Remove the front Grille of the vehicle temporarily by removing the four bolts from the front plate. These bolts will be replaced by four longer ones later. See fig 1.



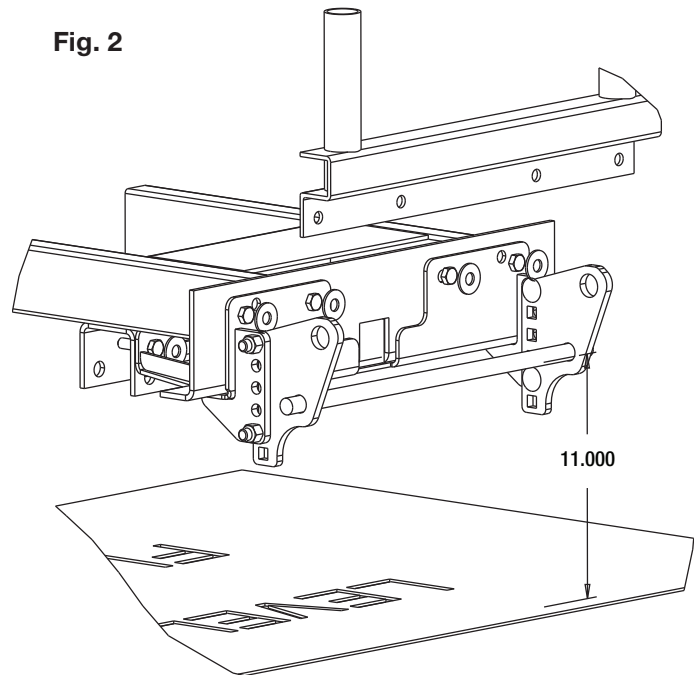
2. Remove the two fasteners from the rear. These bolts will be replaced by two longer bolts later. See fig 1.

3. Position the center plate to the four bolts holes where the front Grille was removed earlier. Secure the plate with four M12 bolts (5) and flat washers. Make sure to sandwich mounting between UTV frame and grill. On some older models, existing holes may be too small and need to be enlarged to appropriate size bolt.




4. In the rear of the Center Plate, secure two M10 bolts (6) and two flat washers onto the cross member. See fig 1.

5. Check for the centerline of the pushbar crosspin should be approximately 11 inches from level floor. Secure it with four carriage bolts provided. See fig 2.

Fig. 2



6. Torque all fasteners as shown in the chart. Check and re-torque all fasteners after 5 hours of usage to ensure safe plow operation.

Recommended Fastener Torque Chart (ft.-lb.)			
Size	 SAE Grade 2	 SAE Grade 5	 SAE Grade 8
1/4-20	6	9	13
5/16-18	11	18	28
3/8-16	19	31	46
3/8-24	24	46	68
7/16-14	30	50	75
1/2-13	45	75	115
9/16-12	66	110	165
5/8-11	93	150	225
3/4-10	150	250	370
7/8-9	150	378	591
1-8	220	583	893

Metric Grade 8.8 (ft.-lb.)			
Size	Torque	Size	Torque
M6	7	M12	60
M8	17	M14	95
M10	35	M16	155

These torque values apply to fasteners except those noted in the instruction.

WARNING

- DO NOT under any circumstances disable, remove or relocate any sensors or components related to the operation of the air bags.
- Always follow the vehicle manufacturers' recommendations relating to snowplow installation.
- To comply with Federal Regulations and to assure a safe vehicle, the Front Gross Axle Weight Rating (FGAWR), Rear Gross Axle Weight Rating (RGAWR), and the Gross Vehicle Weight Rating (GAWR) must not be exceeded at any time.
- Due to the variety of equipment that can be installed on this vehicle, it is necessary to verify that the Front Gross Axle Weight Rating (FGAWR), Rear Gross Axle Weight Rating (RGAWR), and the Gross Vehicle Weight Rating (GAWR) are not exceeded at any time. This may require weighing the vehicle and adding ballast as necessary. It may also limit payload capacity of the vehicle. It is the operator's responsibility to verify that these ratings are not exceeded.

CAUTION

- Read all instructions prior to assembly
- It is critical that all fasteners be properly torqued for safe plow operation – see chart above.
- Fasteners should be retorqued after 5-8 hours of plow use

FULL ONE-YEAR WARRANTY

Manufacturer will repair, or at manufacturer's discretion will replace any part of this snowplow which proves to be defective in workmanship or material under normal use for a period of one year from the date of delivery to the original purchaser. Any cost incurred in returning the product to the supplier is the responsibility of the consumer.

EXCLUSIONS

Manufacturer shall not be liable for special, incidental, or consequential damages, or for damages resulting from lack of necessary maintenance, from misuse, abuse, acts of God, or alteration of the product. Some states do not allow the exclusion or limitation of incidental or consequential damages, so the above limitation or exclusion may not apply to you.