

# **MOUNT KIT**

# **16067220**

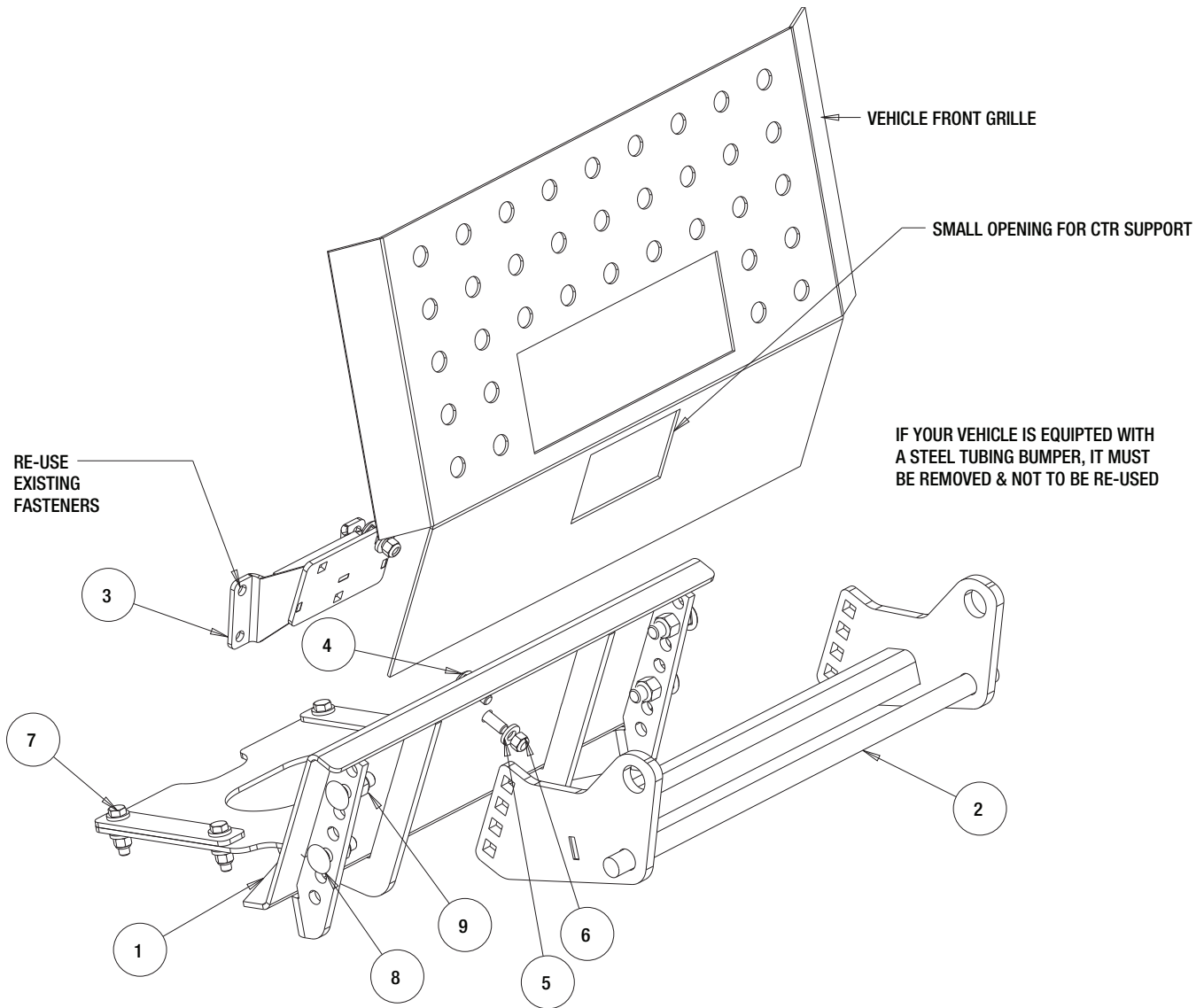
## **2015+ BOBCAT 3400**



# **SnowDogg® Snowplow**

# **TRUCK MOUNT**

# INSTALLATION MANUAL

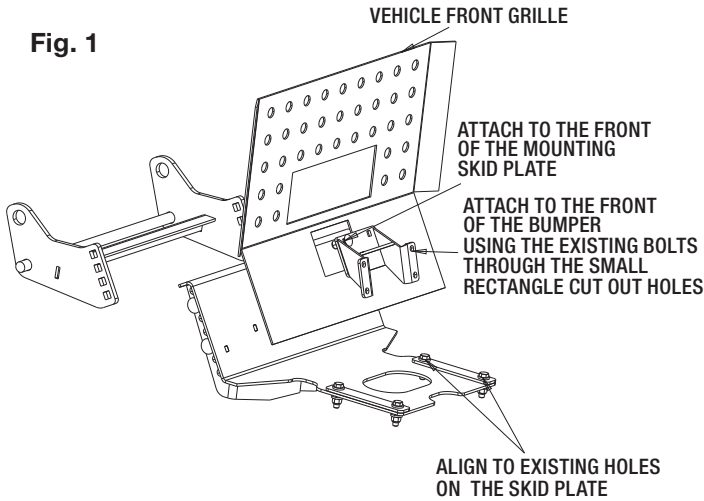


**Parts List**

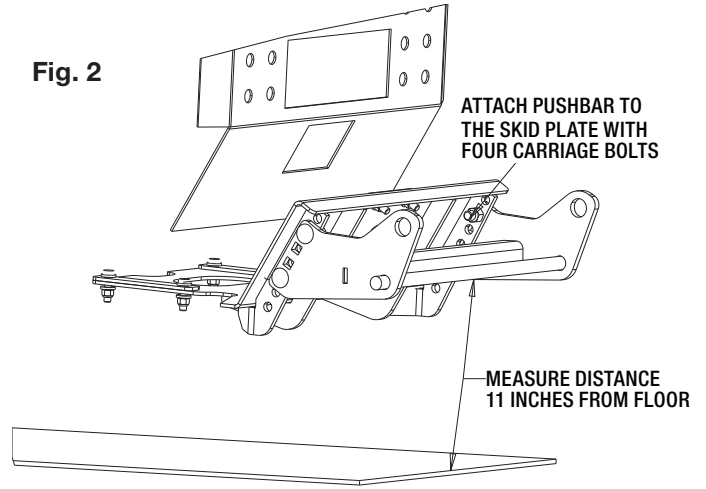
ITEM	PART NO.	QTY.	DESCRIPTION
1	16067221	1	SKIDPLATE, BOBCAT 15+
2	16067222	1	PUSHBAR, BOBCAT 15+
3	16067223	1	CTR SUPPORT, BOBCAT 15+
4	Fcb038016125	3	BOLT,CARRIAGE 3/8-16 X 1 1/4 GR5 ZN
5	3015797	11	WASHER, FLAT, 3/8" X 13/16, ZN YEL
6	FNE038016044	7	NUT, NYLOCK 3/8-16 X 7/16 ZINC
7	FCS038016150	4	SCREW, HX HD CAP 3/8-16 X 1-1/2 G5 ZN
8	3029357	4	BOLT, CARRIAGE 1/2-13 X 1.75 GR8 ZN
9	3002397	4	LOCKNUT, HEX NYLOCK, 1/2-13 ZN, G8

## INSTRUCTIONS




1. Remove the steel tubing bumper from the vehicle if your vehicle is equipped with this option. The steel tubing bumper will not be re-installed with the plow-mount in-use.
2. Align the mounting skid-plate (1) to the four bottom holes on the vehicle skid plate. Secure it with the 3/8 bolts (7), washers (5), and nuts (6).



3. Look to the center front grille of the vehicle with a rectangular cut-out hole, and install the center bracket with four existing bolt holes onto front bumper bracket. Next, attach the bracket to the front of the mounting skid plate (1) with the three carriage bolts (4) and three nuts (6), and washers (5).
4. Install the pushbar (2) to the front of the skid-plate (1) and adjust the height to about 11 inches from the floor. Secure it with with four carriage bolts (8), and four nuts (9).



5. Torque all fasteners as shown in the chart. Check and re-torque all fasteners after 5 hours of usage to ensure safe plow operation.

<b>Recommended Fastener Torque Chart (ft.-lb.)</b>			
Size	 SAE Grade 2	 SAE Grade 5	 SAE Grade 8
1/4-20	6	9	13
5/16-18	11	18	28
3/8-16	19	31	46
3/8-24	24	46	68
7/16-14	30	50	75
1/2-13	45	75	115
9/16-12	66	110	165
5/8-11	93	150	225
3/4-10	150	250	370
7/8-9	150	378	591
1-8	220	583	893

<b>Metric Grade 8.8 (ft.-lb.)</b>			
Size	Torque	Size	Torque
M6	7	M12	60
M8	17	M14	95
M10	35	M16	155

These torque values apply to fasteners except those noted in the instruction.

**WARNING**

- DO NOT under any circumstances disable, remove or relocate any sensors or components related to the operation of the air bags.
- Always follow the vehicle manufacturers' recommendations relating to snowplow installation.
- To comply with Federal Regulations and to assure a safe vehicle, the Front Gross Axle Weight Rating (FGAWR), Rear Gross Axle Weight Rating (RGAWR), and the Gross Vehicle Weight Rating (GAWR) must not be exceeded at any time.
- Due to the variety of equipment that can be installed on this vehicle, it is necessary to verify that the Front Gross Axle Weight Rating (FGAWR), Rear Gross Axle Weight Rating (RGAWR), and the Gross Vehicle Weight Rating (GAWR) are not exceeded at any time. This may require weighing the vehicle and adding ballast as necessary. It may also limit payload capacity of the vehicle. It is the operator's responsibility to verify that these ratings are not exceeded.

**CAUTION**

- Read all instructions prior to assembly
- It is critical that all fasteners be properly torqued for safe plow operation – see chart above.
- Fasteners should be retorqued after 5-8 hours of plow use

**FULL ONE-YEAR WARRANTY**

Manufacturer will repair, or at manufacturer's discretion will replace any part of this snowplow which proves to be defective in workmanship or material under normal use for a period of one year from the date of delivery to the original purchaser. Any cost incurred in returning the product to the supplier is the responsibility of the consumer.

**EXCLUSIONS**

Manufacturer shall not be liable for special, incidental, or consequential damages, or for damages resulting from lack of necessary maintenance, from misuse, abuse, acts of God, or alteration of the product. Some states do not allow the exclusion or limitation of incidental or consequential damages, so the above limitation or exclusion may not apply to you.