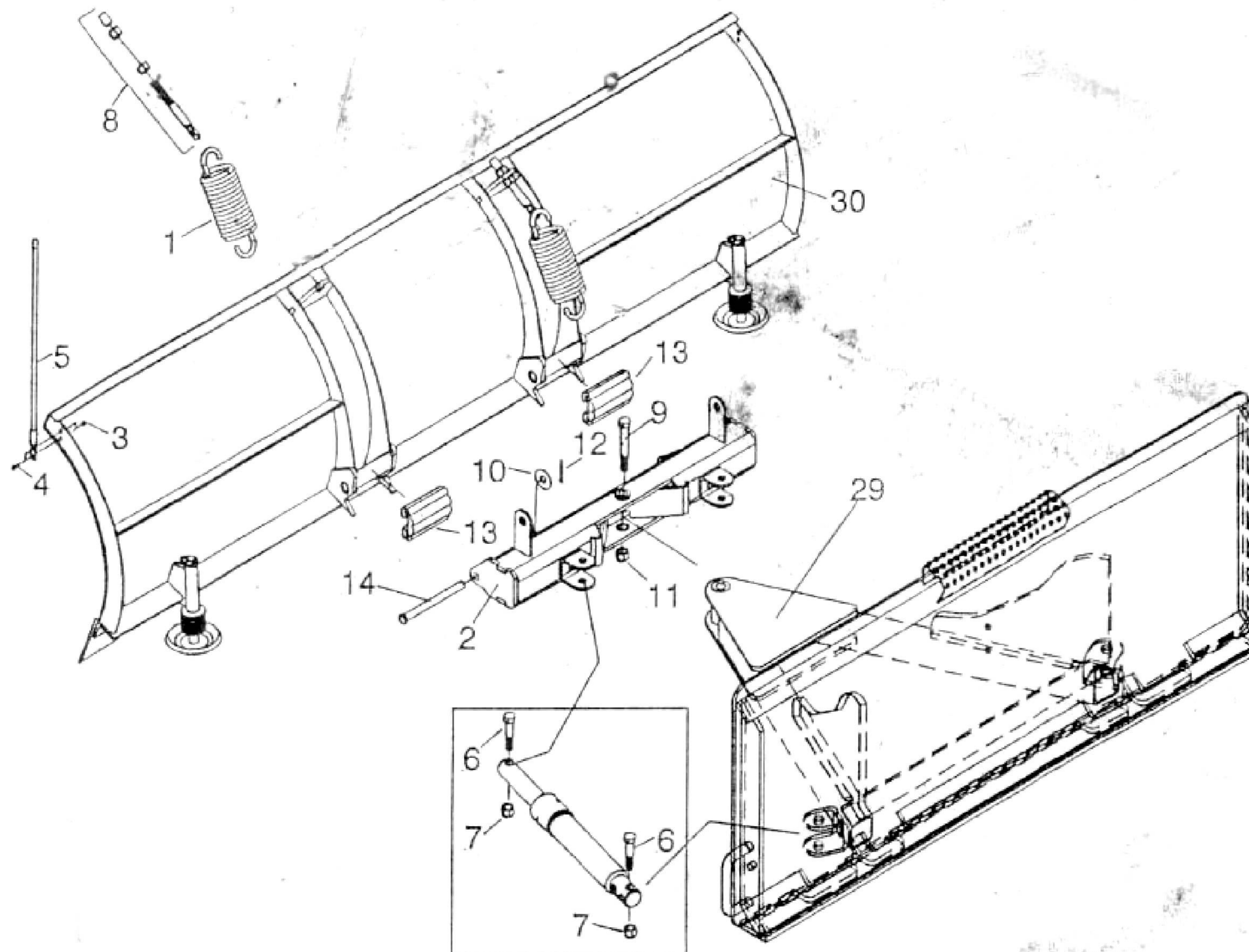




Tractor Pro Mounting Part No. 16605



Parts List

Item	Part No.	QTY	Description
	16605		TRACTOR PRO PIVOT CARTON
1	12978	2	• Trip Spring
2	12959	1	• Drive Pro Pivot Bar
	08852	1	• Plow Marker Kit
3	22249	4	•• Locknut 1/4-20 SS
4	22250	4	•• Bolt 1/4-20 x 1 SS
5	811000095	2	•• Plow Marker
	08363	1	• Hardware Bag (RAMS)
6	20146	4	•• Bolt H 5/8-11 x 3-1/4" Gr. 5
7	20309	4	•• Locknut 5/8-11
	08153	1	• HARDWARE BAG TRACTOR PRO
8	09124	2	•• Eyebolts
9	22005	1	•• King Bolt
10	20357	2	•• Flatwasher 5/8"
11	20309	1	•• Locknuts, 5/8 - 11
12	20385	2	•• Cotter Pin 1/8 x 1-1/4"
13	22686	2	•• Trip Bumper
14	22720	2	•• Pivot Pin 22720
	08870	1	OPTIONAL TRACTOR PRO POWER ANGLE KIT
15	05877	2	• Ram
16	22652	2	• Adapter Male SAE 6 to Female 1/4 NPT
	15915	1	• Hydraulic Assy.
17	15913	1	•• 1/4" NPT Manifold
18	15914	2	•• 3800 P.S.I. Relief Valve
19	22410	6	•• 1/4" x 90° Swivel Adapter
20	22412	2	•• 1/4" x 90" Hose
21	22411	2	•• 1/4" x 32" Hose
22	22413	1	•• 42" Protective Cover
23	22414	1	•• 1/2" x 1/4" Red. Bushing
24	22415	1	•• 1/2" x 1/4" Red. Bushing w/.054 orifice
	08872		OPTIONAL TRACTOR PRO MANUAL ANGLE KIT
25	19740	2	•• Manual Cylinder Outer Tube Assy.
26	19739	2	•• Manual Cylinder Inner Tube Assy.
27	19063	2	•• 5/8" Pin
28	22083	2	•• Lynch Pin
29	13679	1	Tractor Pro DIN Plate (not included)
30	09274	1	Drive Pro 6'-8" Moldboard (not included)

Parts indented are included in the assembly under which they are indented.

Meyer Products LLC reserves the right, under its continuing product improvement program, to change construction or design details, specifications and prices without notice or without incurring any obligation.

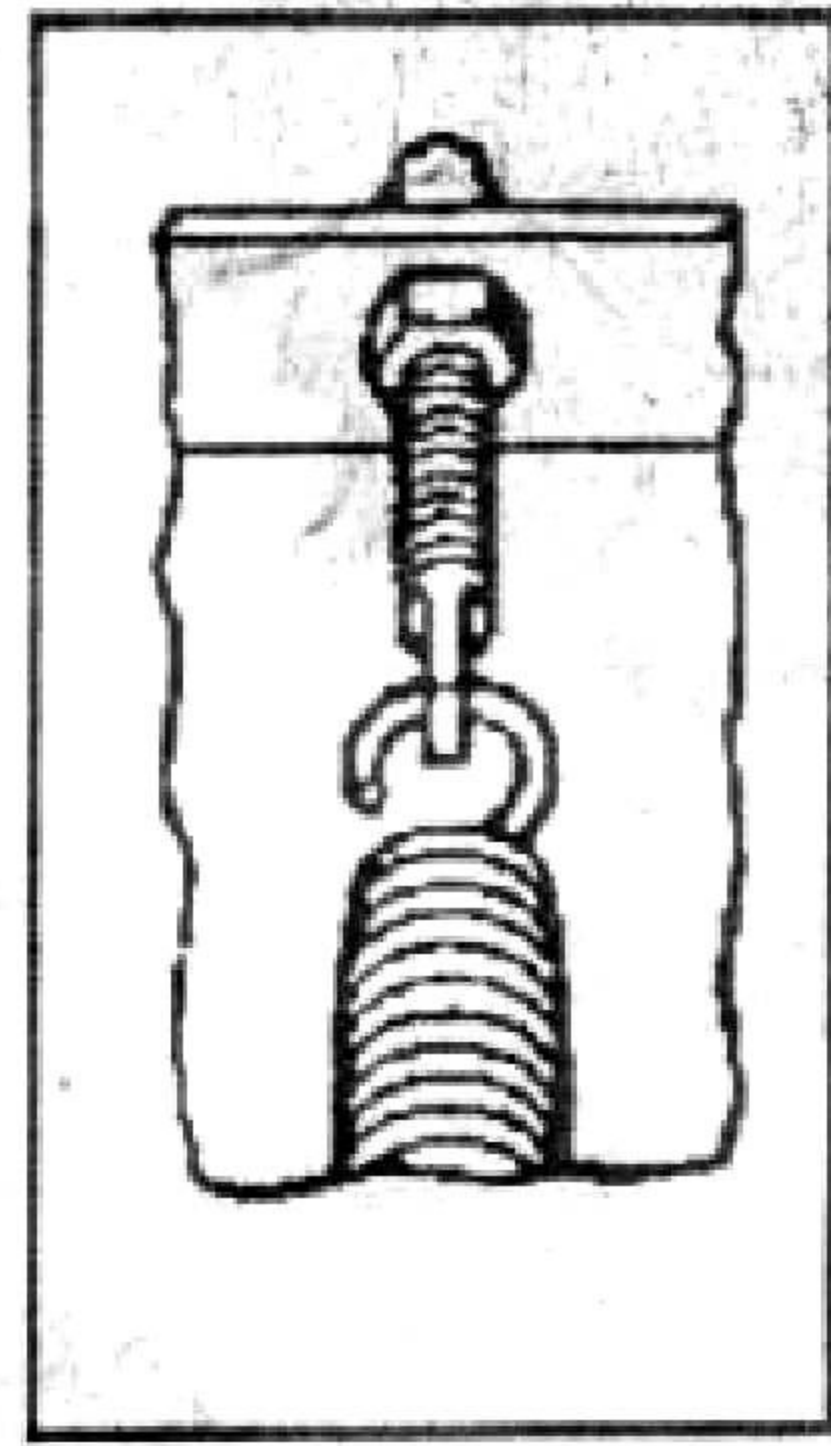
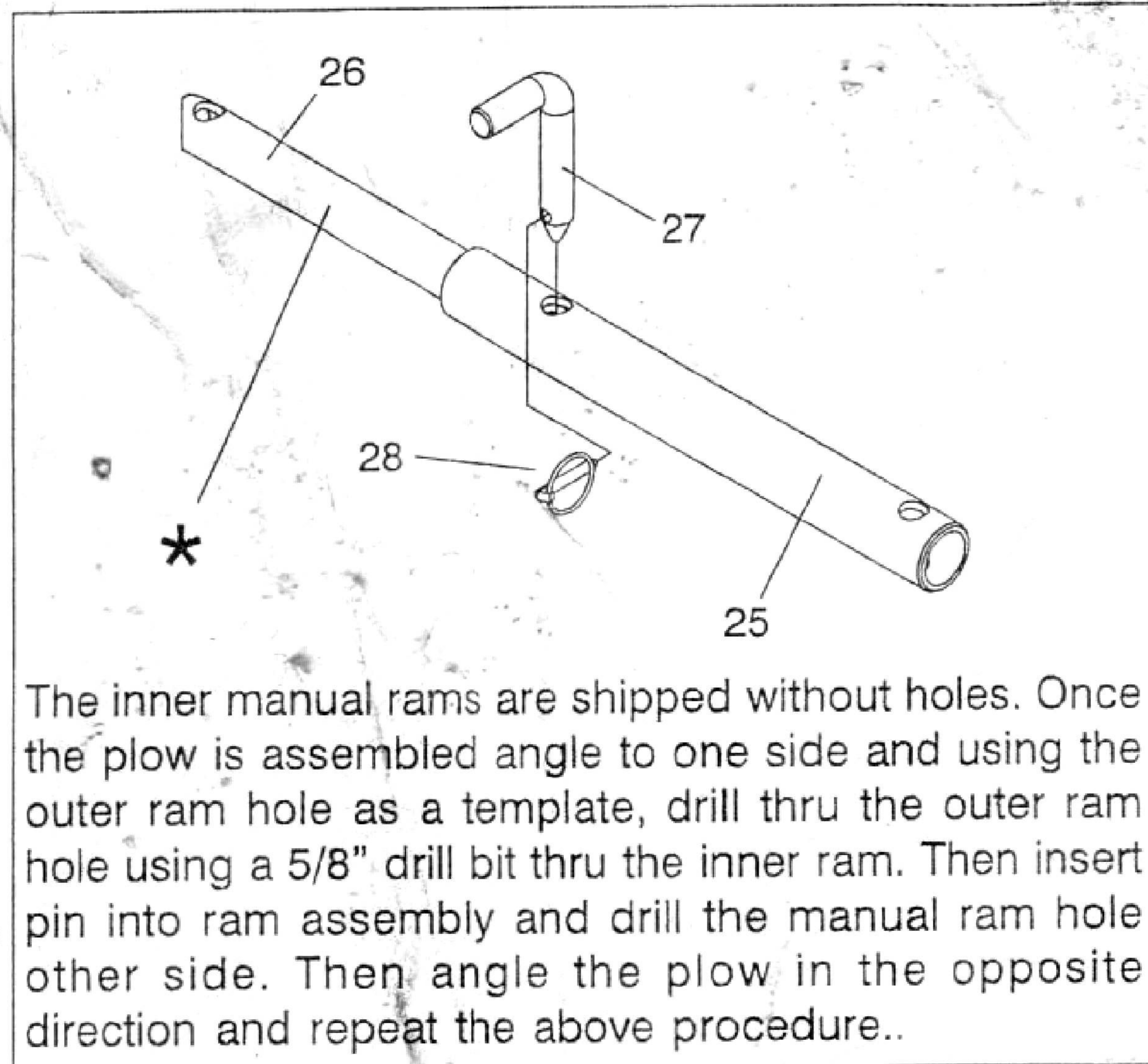
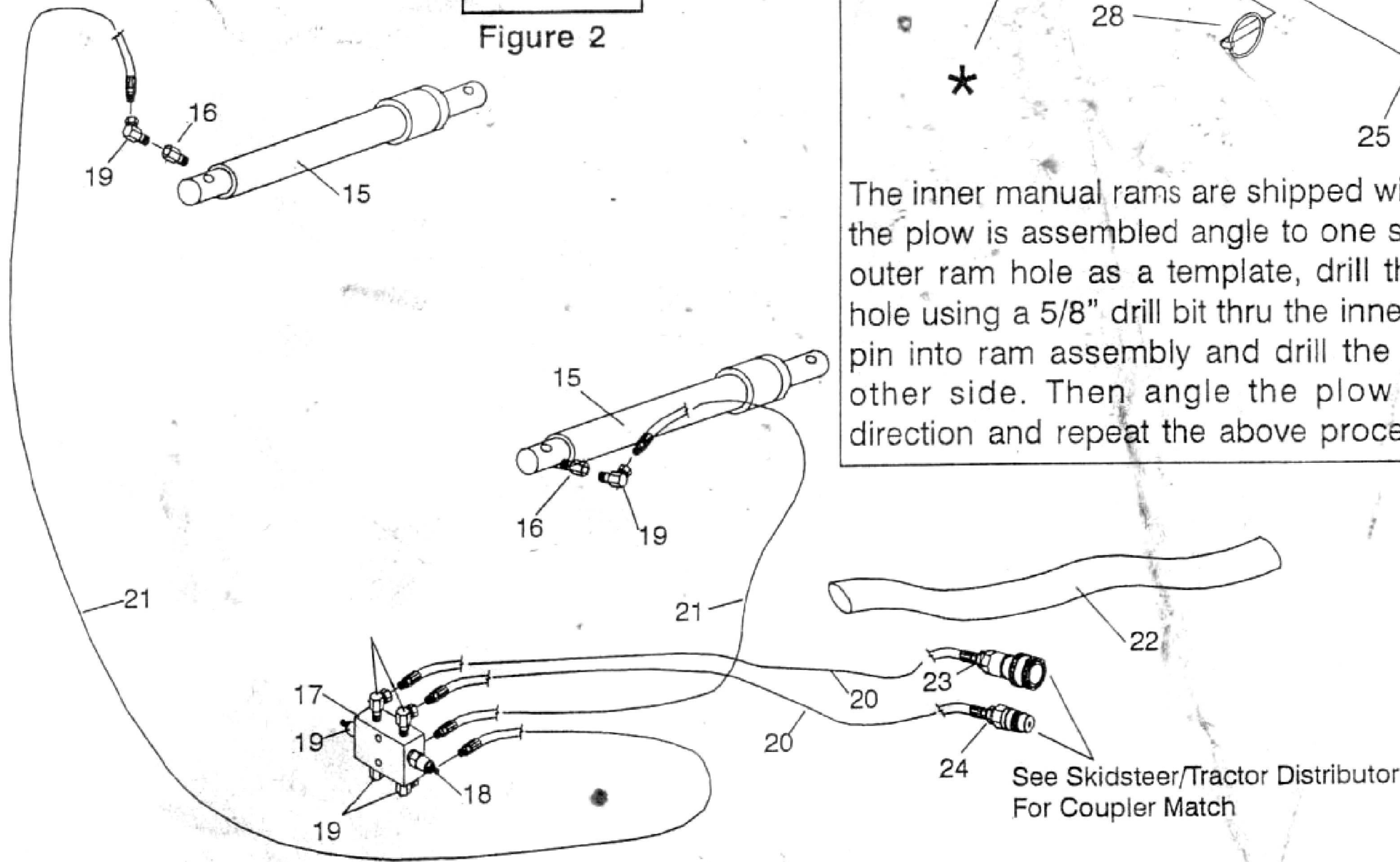


Figure 2



The inner manual rams are shipped without holes. Once the plow is assembled angle to one side and using the outer ram hole as a template, drill thru the outer ram hole using a 5/8" drill bit thru the inner ram. Then insert pin into ram assembly and drill the manual ram hole other side. Then angle the plow in the opposite direction and repeat the above procedure..



INSTALLATION INSTRUCTIONS

- A. Attach Trip Bumper (13) to flat plate in front of pivot tubes of Moldboard (30).
- B. Attach pivot bar (2) to Moldboard (30) using pivot pins (14) coated with chassis lubricant, 5/8" Flatwasher (10) and 1/8 x 1-1/4" Cotter Pin (12). **(Note: Grease hole on moldboard pivot tube)**
- C. Attach trip springs (1) to pivot bar (2) and moldboard (30) with eye bolts (8). Flat end of eye bolt (8) must be in a vertical position, as shown in Figure 2, to hinge properly when moldboard (30) trips. Proper tension is attained when trip spring (1) coils begin to separate and then tighten top locknut four additional turns. Tighten bottom Finish nut to secure eye bolt (1) in position. Install Eye Bolt Caps over threads.
- D. Assemble Tractor Pro DIN Plate (29) to pivot bar (2) using king bolt (9) and locknut (11). Grease king bolt (9) prior to installation. **(Note: Grease hole on Tractor Pro DIN Plate tube)**
- E. Straighten end of plow markers (5) so they will be vertical after installation. Attach using 1/4-20 x 1" bolt (4) and 1/4-20 nut (3).
- F. **HYDRAULICS** (power angle)-Locate a spot for the hydraulic manifold assy. (18). The hoses must be positioned to avoid rubbing or pinching. It may be necessary to fabricate a bracket, depending on the tractor. Attach block with 5/16-18 x 2-1/4" bolts, and locknuts from kit 15915.
- G. Connect 32" hoses (21) to LH and RH cylinders. See Figure 4.
- H. Connect 90" hoses (20) to hydraulic system on tractor. Tractor end must accept 1/2" male NPT. Orifice (.054" diameter) on end of one 90" long hose (20) should be maintained.

Meyer Products LLC reserves the right, under its continuing product improvement program, to change construction or design details, specifications and prices without notice or without incurring any obligation.

Meyer Products LLC
18513 Euclid Ave. • Cleveland, Ohio 44112-1084
Phone 486-1313 (Area Code 216)
www.meyerproducts.com • email info@meyerproducts.com

Meyer

Meyer Products LLC
6 Angell Lane • Damariscotta, ME 04543-4507
Phone 563-2227 (Area Code 207)
www.meyerproducts.com • email info@meyerproducts.com