



PARTS & INSTALLATION INSTRUCTIONS

EZ MOUNT PLUS™
SNOW PLOW MOUNTING 17196
2017 & Later Nissan Titan XD

End user must be given this instruction sheet prior to delivery of this Snow Plow.

SAFETY DEFINITIONS

	This is the safety alert symbol. It is used to alert you to potential personal injury hazards. Obey all safety messages that follow this symbol to avoid possible injury or death.
	DANGER Indicates an imminently hazardous situation which, if not avoided, will result in death or serious injury.
	WARNING Indicates a potentially hazardous situation which, if not avoided, could result in death or serious injury.
	CAUTION Indicates an potentially hazardous situation which, if not avoided, may result in minor or moderate injury.
	CAUTION used without the safety alert symbol indicates a potentially hazardous situation which, if not avoided, will result in property damage.

IMPORTANT NOTICE

In conjunction with FMVSS (Federal Motor Vehicle Safety Standards) and OEM (Original Equipment Manufacturer) guidelines, Meyer Products has designed this plow package with the following guidelines:

	Installation of a snowplow may effect your new vehicle warranty. For more information consult your Vehicle Owner's Manual / Vehicle Dealer.
	The vehicle must not be operated when overloaded. In all cases, the loaded vehicle weight, including the entire snowplow system, all aftermarket accessories, driver, passenger, options, nominal fluid levels, and cargo must not exceed the front/rear Gross Axle Weight Rating (GAWR), and total Gross Vehicle Weight Rating (GVWR). These weights ratings are specified on the safety compliance certification label on the driver's side door opening. The use of rear ballast weight may be required to prevent exceeding the front GAWR.

According to the NHTSA (National Highway Traffic Safety Administration) new and untitled vehicles need to be verified by the installer that snowplow and ballast (if needed) do not exceed the front/rear GAWR and total GVWR.

	Read the Meyer Owner's Manual before operating or servicing a snowplow. FOLLOW THESE INSTRUCTIONS EXPLICITLY.
--	---

GENERAL INFORMATION

	SAFETY PRECAUTIONS should be used when Hydraulic Unit is in OPERATION and plow is in a RAISED position. Lower plow to ground when vehicle is PARKED in case of hydraulic failure.
--	---

Check contents against the parts list to determine all are correct and included, and also to familiarize yourself with them.

	Warranty does not apply to a Meyer or Diamond product which has been negligently or improperly assembled or installed. CAUTION: To avoid harm to vehicles electrical system always disconnect battery before beginning installation.
--	--

	DO NOT BURN holes or WELD vehicle frame. This may cause frame failure.
--	--

OVERHAUL and SERVICE INFORMATION are covered on separate instructions.

Meyer Products reserves the right, under its continuing product improvement program, to change construction or design details, specifications and prices without notice or without incurring any obligation.

Meyer Products LLC
18513 Euclid Ave. • Cleveland, Ohio 44112-1084
Phone 486-1313 (Area Code 216)
www.meyerproducts.com • email info@meyerproducts.com



Single pull Drive Pro System

PARTS LIST

ITEM	PART NO.	QTY.	DESCRIPTION
	17196	1	MOUNTING CARTON
1	16223	1	• R.H. Side Member
2	16224	1	• L.H. Side Member
	08597	1	• HARDWARE BAG
3	14595	4	• 3/4" Special Bolt
4	20310	4	•• 3/4 - 10" Locknut
5	20309	2	•• 5/8 - 11" Locknut
6	20307	8	•• 1/2 - 13" Locknut
7	20142	2	•• Bolt 5/8-11 x 2-1/4" Gr.5
8	20096	8	•• Bolt 1/2 - 13 x 1-3/4"

Parts indented are included in the carton, bag or assembly under which they are indented.

IMPORTANT

After first use, retighten all mounting bolt connections to specified torque. All mounting bolt connections to be checked periodically for tightness.

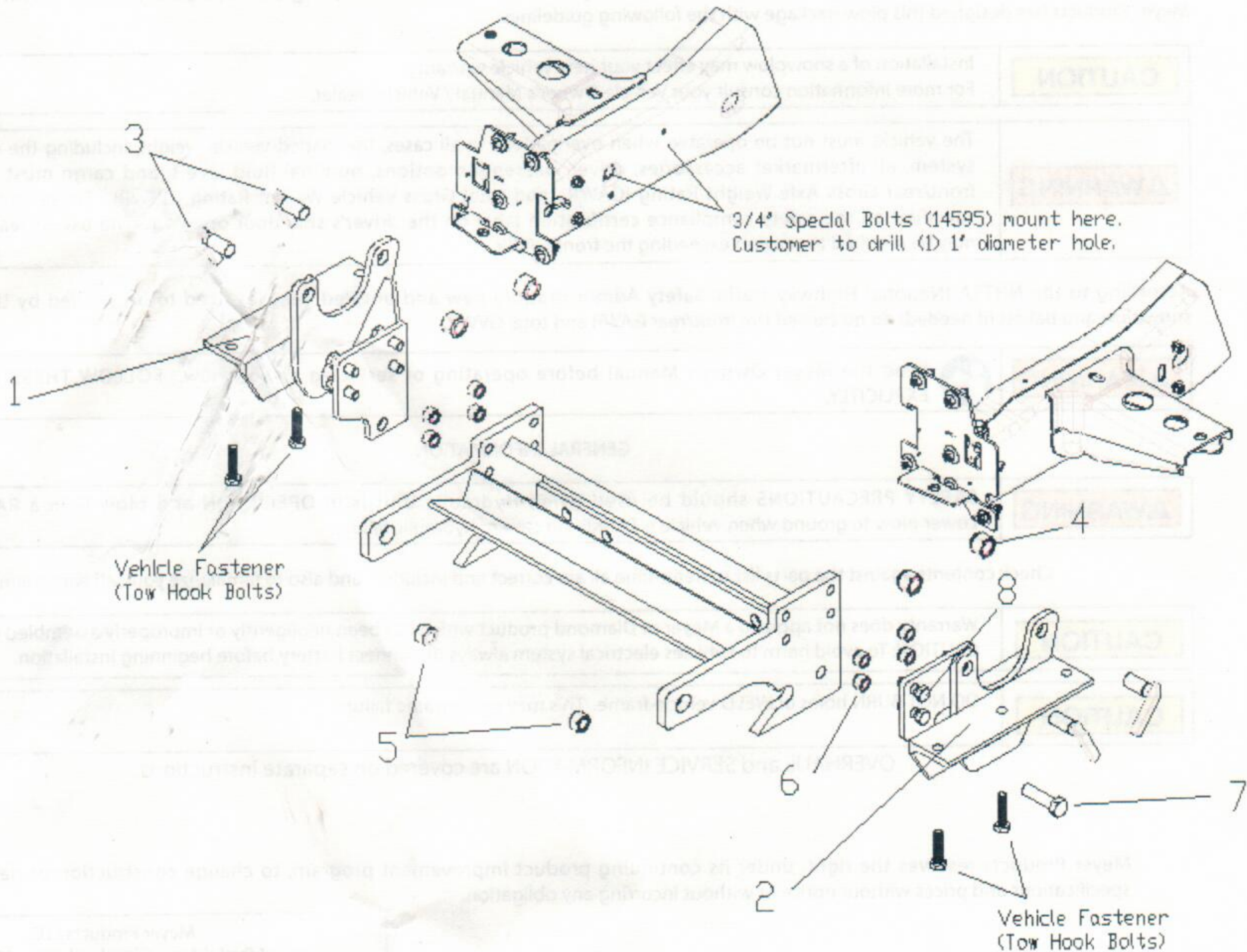
Locknuts are furnished DO NOT tighten bolts and nuts until installation is complete (unless otherwise specified), then be sure to tighten all attaching parts per specified torque chart.

TORQUE CHART FOOT

Bolt Nut Size	Gr. 2	Gr. 5	Gr. 8
1/4 - 20	4 - 5		
5/16 - 18	9 - 11		
3/8 - 16	17 - 20	26 - 29	
7/16 - 14		42 - 46	60 - 66
1/2 - 13		64 - 72	90 - 100
5/8 - 11		127 - 141	179 - 198

NOTE:

THIS MOUNTING CARTON CAN BE USED WITH THE MDII OR EZ MOUNT PLUS CLF CARTONS.



Single pull Drive Pro System

VEHICLE RECOMMENDATIONS

Nissan Motors Corp.

Nissan recommends snowplow usage for only those trucks that have the optional Snow Plow Preparation Package.

Nissan recommends that when a snow plow is mounted that only one passenger should accompany the driver. More than one passenger may exceed front gross axle weight ratings.

⚠WARNING

- A ballast weight may be required to prevent front GAWR overloading. If required, ballast must be securely attached at least 24 inches rear of the rear axle.

⚠WARNING

- Front end wheel alignment and headlight aim may require readjustment after installation of equipment, and is the responsibility of the equipment installer. Failure to adjust front wheel alignment may cause premature uneven tire wear. If required, reset to chassis manufacture's specifications found in the Nissan Shop Manual.

Rear ballast is determined by weighing a vehicle's front and rear axles and adding weight behind the rear axle until front axle weight is under or equal to the vehicle specific front GAWR while not exceeding the rear GAWR and GVWR.

Vehicle option packages may vary. If in doubt, it is always a good idea to weigh the vehicle to ensure all weight ratings are not exceeded with plow in the raised position.

INSTALLATION INSTRUCTIONS

- A. Remove air dam at bottom of bumper and splash shield from underneath motor. Both will not be reinstalled.
- B. Remove tow hooks. The tow hook mounting bolts will be reused but the tow hooks will not be reinstalled.
- C. Install LH and RH side members (1 & 2) as shown using tow hook mounting bolts. Use the installed side members as template to locate rear hole on inside of frame. Mark location of holes on both frame sides and remove side members for drilling. Drill 1" hole at marked location only to inside of frame. See image on previous page.
- D. Reinstall LH and RH side members (1 & 2) as shown using tow hook mounting bolts. Snug all bolts during installation. Do not torque any bolts until step G.
- E. Fasten side members to side of frame using (x2) 3/4" Special Bolts (3) and 3/4-10 Locknuts (4) per side.

- F. Attach the Universal Clevis between the LH & RH Side members using (X4) 1/2-13 x 1-3/4" bolts (8) and 1/2-13 Locknuts (6) per side. At lower hole attach to LH and RH Side Members using (1) 5/8-11 x 2-1/4" bolt (7) and 5/8-11 Locknut (5) per side.

Note: Before tightening the fasteners, the Clevis Frame should be level with ground.

- G. Tighten all fasteners to their proper torque. Tighten bolts in the same order they were assembled to the vehicle.
- H. Install remaining snowplow hardware per separate instructions.