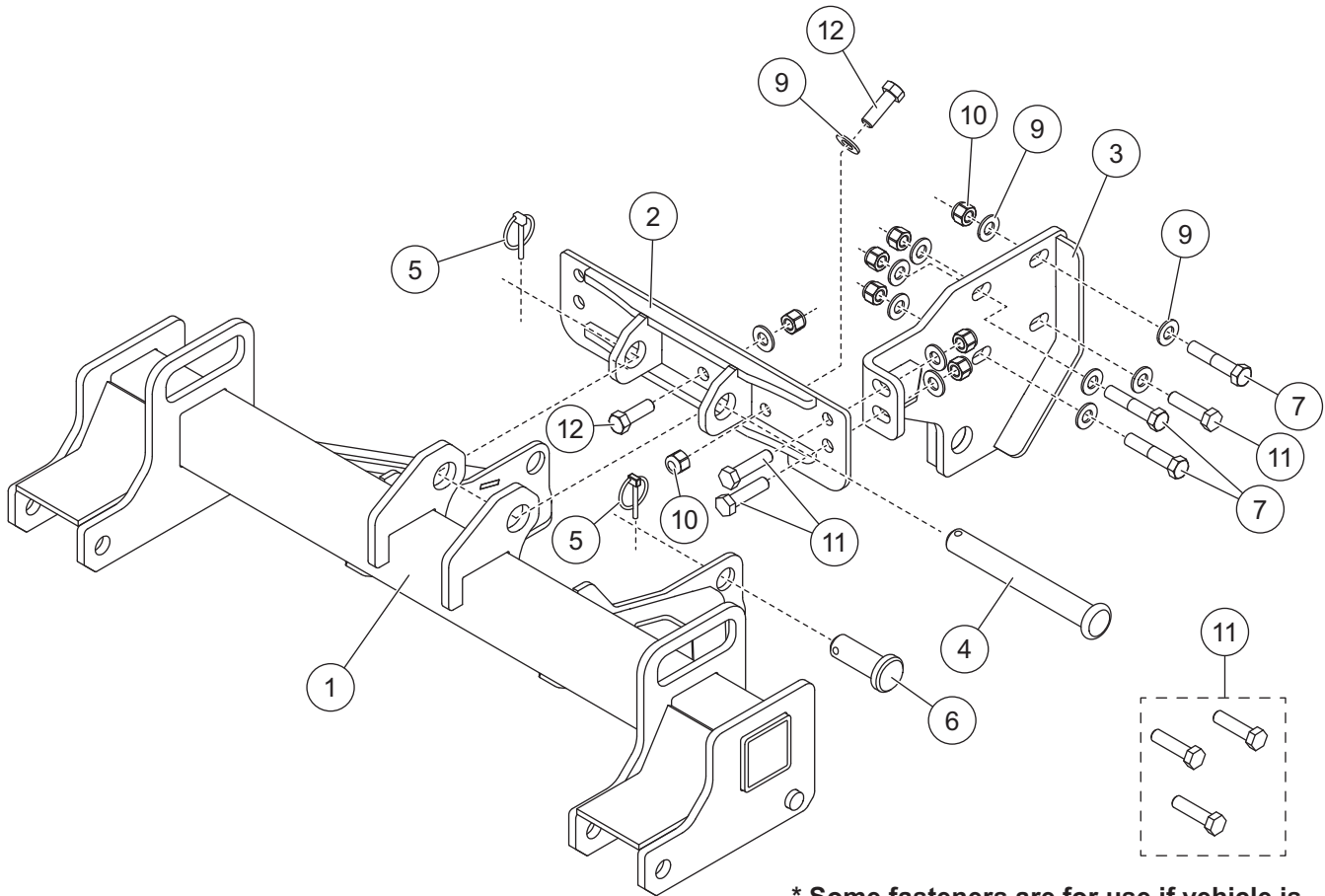


PARTS LIST



* Some fasteners are for use if vehicle is not equipped with a brush guard. Refer to Installation Instructions for details.

33225 Mount Kit							
Item	Part	Qty	Description	Item	Part	Qty	Description
1	72880	1	Push Beam	ns	74077	1	Jumper Connector, 4-Position
2	72860	1	Front Mount Assembly	ns	28587	1	Vehicle Control Harness
3	72861	1	Thrust Arm, Left Side	ns	61548	1	Plug Cover Kit
ns	72862	1	Thrust Arm, Right Side	ns	90730	1	Fuse Kit, 200A
4	27979	1	1 x 8 Clevis Pin	ns	61536	12	Cable Tie
5	93042	3	3/16 Linchpin	ns	29326	1	Heat Shrink Tubing
6	27227	2	1 x 2-3/4 Clevis Pin	ns	27514	1	Splice Package
ns	77506	1	Label – Caution, Tractor RMV Loader	ns	72870	1	Bolt Bag
ns	72168	1	Vehicle Cable Assembly				
72870 Bolt Bag							
7		6	1/2-13 x 2-1/2 Hex Cap Screw G5	10*		12	1/2-13 x 2 Hex Cap Screw G5
8		23	1/2 Hardened Flat Washer Type 1	11		3	1/2-13 x 1-1/2 Hex Cap Screw G5
9		15	1/2-13 Hex Locknut GB				
ns = not shown				G = Grade			

Copyright © 2020 Douglas Dynamics, LLC. All rights reserved. This material may not be reproduced or copied, in whole or in part, in any printed, mechanical, electronic, film, or other distribution and storage media, without the written consent of the company. Authorization to photocopy items for internal or personal use by the company's outlets or snowplow owner is granted.

The company reserves the right under its product improvement policy to change construction or design details and furnish equipment when so altered without reference to illustrations or specifications used. This equipment manufacturer or the vehicle manufacturer may require or recommend optional equipment for snow removal. Do not exceed vehicle ratings with a snowplow. The company offers a limited warranty for all snowplows and accessories. See separately printed page for this important information.

Printed in U.S.A.
