



Assembly & Installation Instructions

**FOR
SUBFRAME COMPONENTS PACKAGE 99100530
AND
SUBFRAME NOSE PIECE PACKAGE 96105528**

**TO FIT
1997-LATER FORD RANGER PICKUP 4 x 4
1997-LATER MAZDA B-3000 AND B-4000 PICKUP 4 x 4
1995-LATER FORD EXPLORER 4 x 4
1997-LATER MERCURY MOUNTAINEER 4 x 4**



1. **THINK SAFETY, ALWAYS WEAR SAFETY GLASSES WHEN PERFORMING THE OPERATIONS PRESCRIBED IN THESE INSTRUCTIONS**
2. **READ ALL INSTRUCTIONS CAREFULLY BEFORE ATTEMPTING INSTALLATION**
3. **BEFORE BEGINNING WORK MAKE SURE TO SET PARKING BRAKE AND CHOCK WHEELS**



MINIMUM VEHICLE RECOMMENDATIONS

- Heavy Duty Alternator
- Heavy Duty Battery
- Heavy Duty Front Torsion Bars

NOTE: On some vehicles it may be necessary to use a form of load booster to decrease the vehicle's front suspension sag with the snow plow in place. This can be accomplished with the use of supplementary air bags, booster springs, or similar load boosting devices. Since there are different load boosting devices available, it will up to the customer/end user to decide and purchase the product to suit the application, and not the responsibility of Sno-Way International, Inc.

ASSEMBLY TOOLS NEEDED

- Drill Bits 1/4", 17/32"
- Impact Sockets 7/16" – 1-3/8"
- Metric Sockets 10mm - 17mm
- Wrenches 7/16" – 1-3/8"
- Torque Wrench
- Alignment Pry Bar
- Center Punch and Hammer
- Hacksaw
- Clamping Devices ("C", Bar, type device)

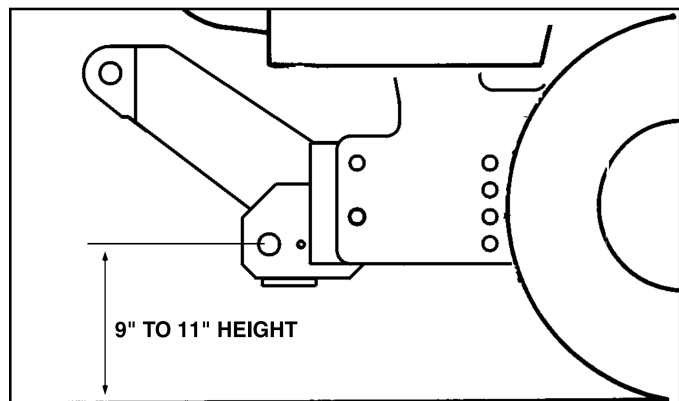
INSTALLATION NOTES

1. **Unless otherwise specified, mount all Sub-Frame Components to vehicle before tightening any hardware.**
2. **It is recommended that LOCTITE®, or similar thread locking product, be used on ALL mounting hardware (i.e. Nuts, Cap Screws, Bolts, etc.).**
3. Vehicle should be parked on a level surface with a normal vehicle load on the FRONT suspension.
4. Items in parentheses () refer to quantity required for this step. Items in parentheses with a pound sign (#) indicate the part number as found in the parts list on the last page of this document.
Example: (10) Washer, Lock, 1/2" (#8).
5. It maybe necessary to relocate license plate holder. Check state and local laws for placement, if needed.

5. Install the Mounting Assembly (#1) by aligning the Side Mounting Plate holes with the holes in the Mounting Assembly. Secure the Mounting Assembly by using (8) 1/2" x 1 1/2" Cap Screws (#4), (2) 1/2" Lock Washers (#5) (in the threaded holes) and (6) 1/2" Nylock Nuts (#6).
6. Using the Toque Specification Chart below, torque all Cap Screws.
7. Reinstall the front bumper onto the vehicle.

MOUNTING INSTRUCTIONS

1. Remove the front bumper and air dam from the vehicle, retain with hardware for reinstallation in a later step.
2. Place the Side Mounting Plate (#2) to the outside of the vehicle frame. Align the second hole in the Side Mounting Plate with the rear of the slot in the outside of the vehicle frame. Keeping the Side Mounting Plate parallel to the frame, clamp into place. Use the existing holes in the Side Mounting Plates as a template, center punch and drill 1/4" pilot holes through the outside of the frame on each side of the vehicle.
3. Remove the Side Mounting Plates. Drill the 1/4" pilot holes out with a 17/32" drill. Do this procedure on each side of the vehicle.
4. Secure the Side Mounting Plates to the frame using (8) 1/2" x 1 1/2" Cap Screws (#4), (8) 1/2" Lock Washers (#5) and inserted through the front of the frame rails (4) Nut Plate Assemblies (#3).



IMPORTANT: Height from the center of the lower Plow Mounting holes on the Sub-Frame to the ground should be between 9" and 11" to insure proper operation.

**TORQUE SPECIFICATIONS FOR
STANDARD MACHINE HARDWARE**

Bolt Size	GR.2 Dry	GR.5 Dry	GR.8 Dry	Metric Size	GR.8.8 Dry
1/4"	66*	9	12	M8	17
5/16"	11	17	25	M10	35
3/8"	20	30	45	M12	60
7/16"	32	50	70	M14	95
1/2"	50	75	110	M16	155
9/16"	70	110	150		
5/8"	100	150	220		
3/4"	175	260	380		
7/8"	170	430	600		
1"	250	640	900		

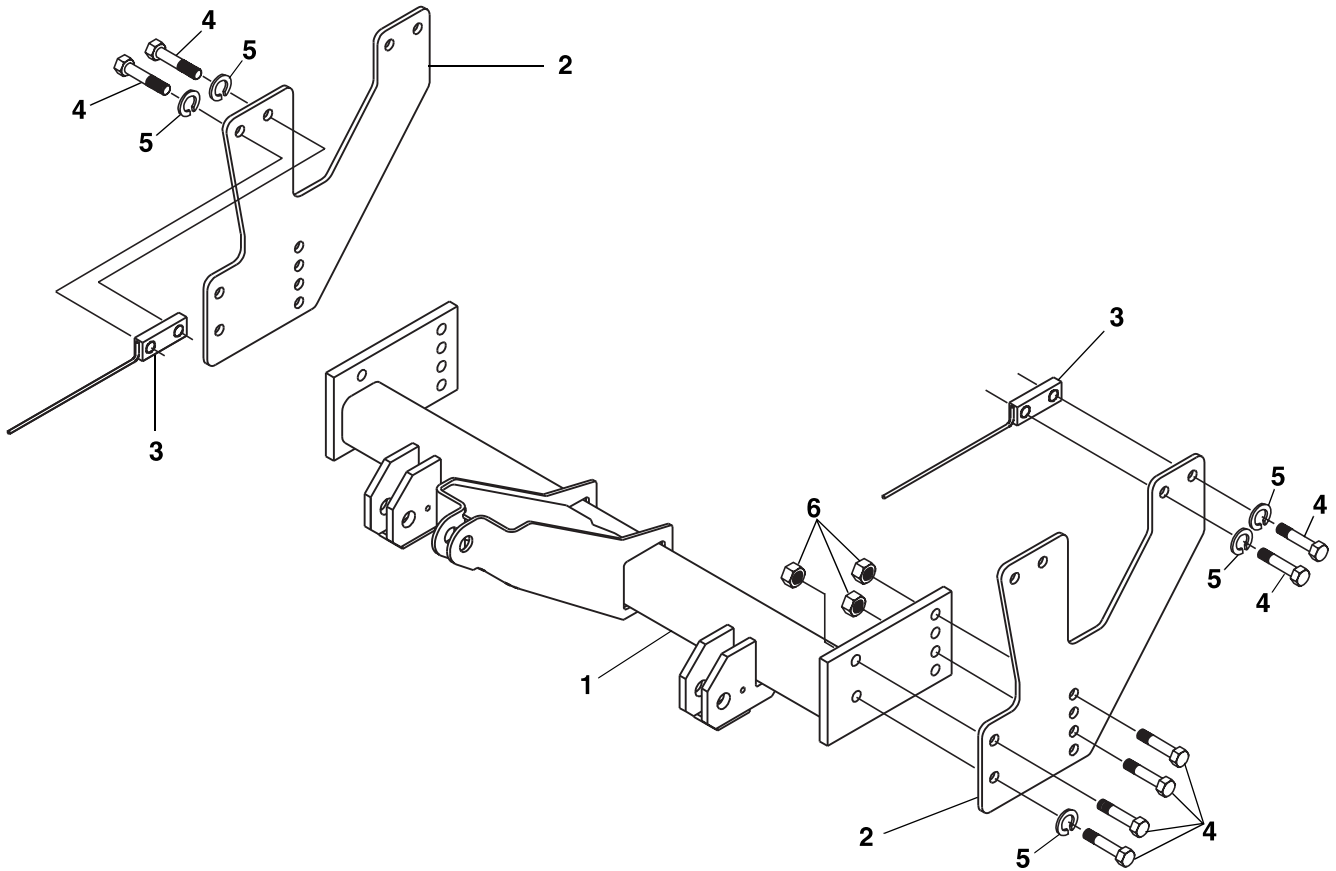
Note: These torque values are to be used for all hardware. Unless otherwise specified, all torque values must meet this specification.

Note: All torque values are in Ft.-Lbs unless otherwise stated

Note: *In-Lbs

**REMEMBER After 5 to 10 hours of snowplow usage,
re-torque all Cap Screws!**

PARTS LIST



Note: It is recommended that LOCTITE®, or similar thread locking product, be used on ALL mounting hardware (i.e. Nuts, Cap Screws, Bolts, etc.).

ITEM	PART NO.	DESCRIPTION	QTY.
1	96105528	Assembly, Mounting	1
2	96105529	Mounting Plate, Side	2
3	96105928	Assembly, Nut Plate	4
4	98009010	Cap Screw, Hex Head, ½"-13 x 1 ½".....	16
5	98009012	Washer, Lock, ½"	10
6	98009013	Nut, Hex, Nylock ½"	6

SNO-WAY® INTERNATIONAL, INC.



Hartford, WI 53027 USA
 Website: www.snoway.com
 ©2002 Sno-Way® International