

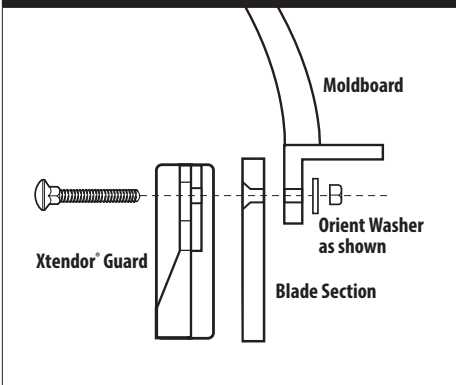
XTENDOR® PLOWGUARD KIT (22-5/8")

INSTALLATION GUIDE

Xtendor® PlowGuard Kit:

- 2 – Xtendor® PlowGuards
- 1 – Plow Bolt Kit (5/8")
- 4 – 2-1/2" Carriage Bolts
- 4 – Stover Lock Nuts
- 4 – Hardened Flat Washers

Xtendor® Installation Side View



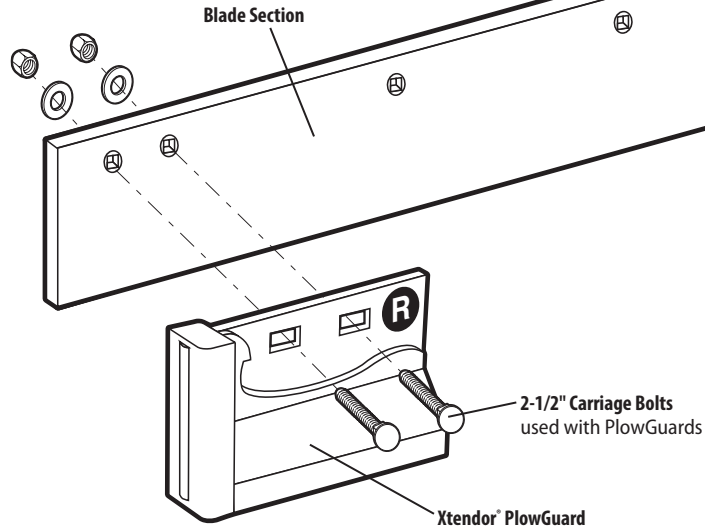
Xtendor® Installation Exploded View

IMPORTANT!

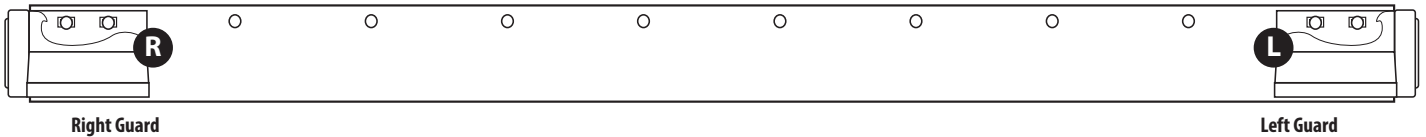
For torque recommendation, please refer to SAE J1701.

Re-torque hardware after the first 10 plow hours.

Both sides of the moldboard should be free of rust, scale, dirt, etc. prior to installing new blades and hardware to reduce bolt loosening issues while in service.



Xtendor® PlowGuard Setup



Plow Bolt Kit
Included With Every System