

V-BLADE CASTER KIT MSC09216- ASSEMBLE AS SHOWN

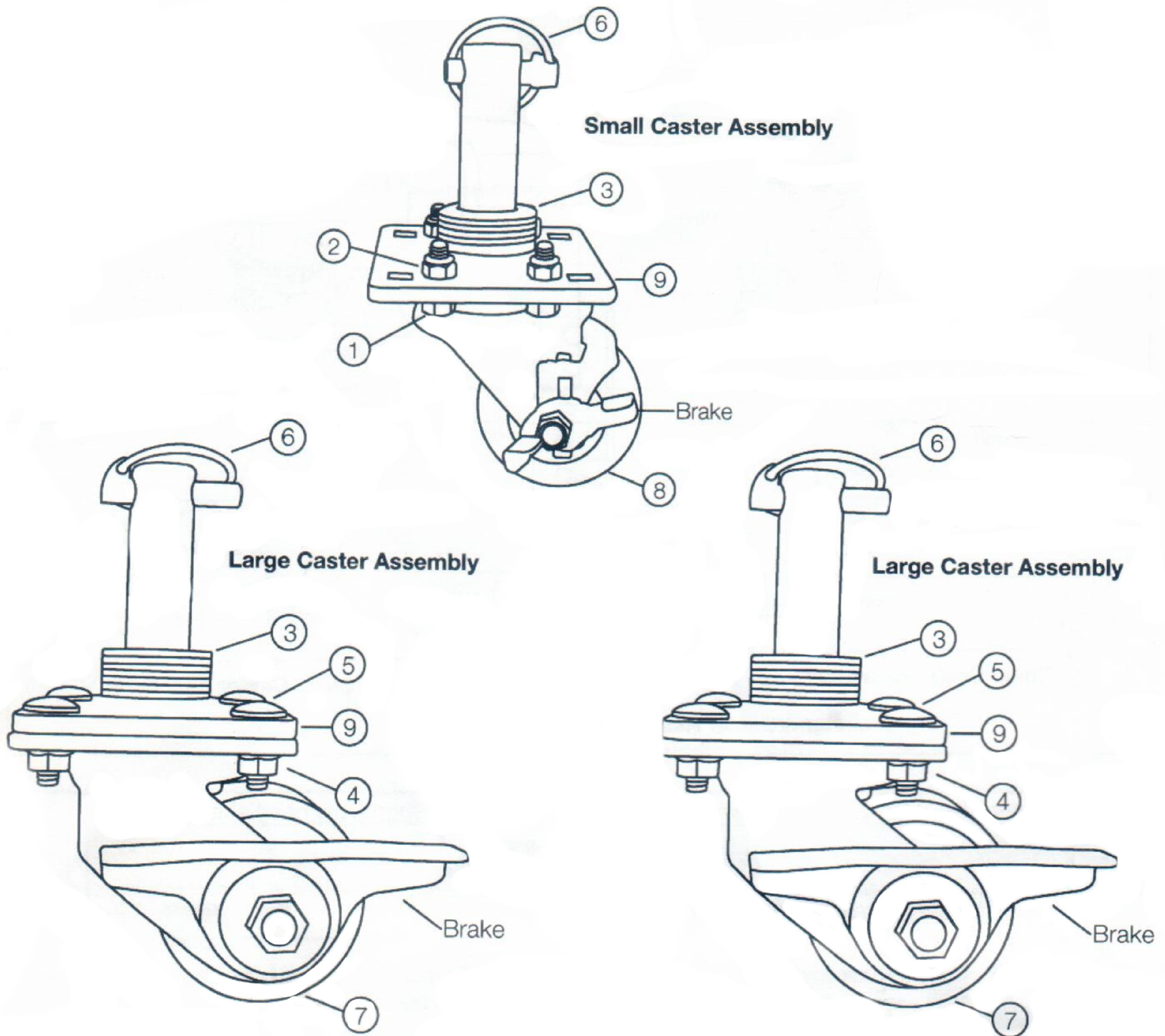


Figure 1. Caster Kit, V-Blade Casters Shown Assembled – Note: extra hardware included

ITEM #	QUANTITY	PART #	DESCRIPTION
1	12	HDW01713	HHCS,5/16-18X1,NC,GR5,YZN
2	12	HDW01714	NUT,5/16-18,NYL INS,YZN
3	30	HDW01814	WASHER,FLAT,1.06X1.75X.12,YZN
4	12	HDW07730	NUT,3/8-16,SPIN L/N,EPOXY PATCH,YZN
5	12	HDW09217	BOLT,CARR,3/8-16X1,GR5, YZN
6	3	MSC01503	PIN,QUICK,7/16"
7	2	MSC09218	CASTER,LARGE,3.25"
8	1	MSC09219	CASTER,SMALL,3"
9	3	MSC09220	CASTER BASE
10	1	MSC09223	MANUAL,CASTER KIT (NOT SHOWN)