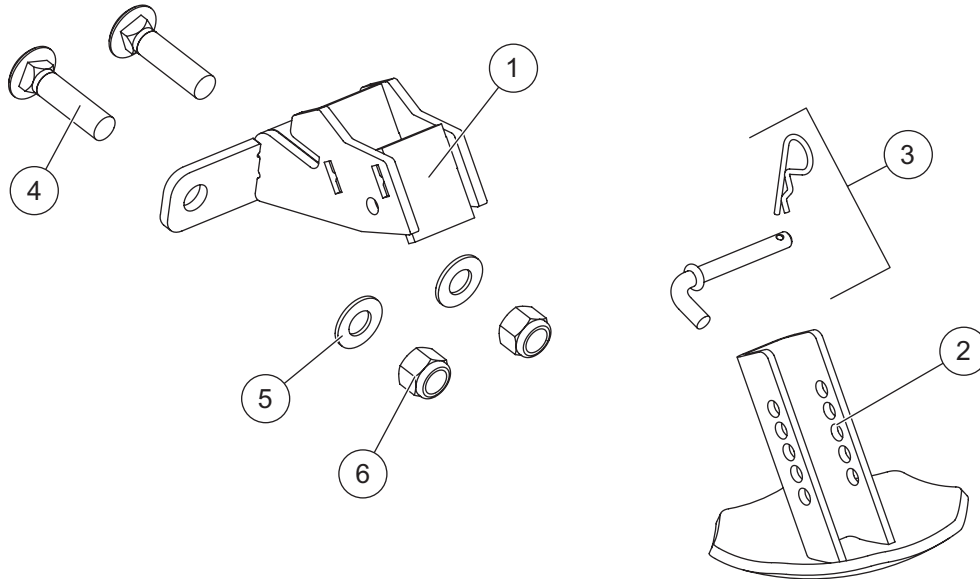


# Shoe Kit

## PARTS LIST



74519 Shoe Kit							
Item	Part	Qty	Description	Item	Part	Qty	Description
1	74517	1	Shoe Bracket – DS	3	83825	2	3/8 x 2-3/4 Pin Kit
ns	74518	1	Shoe Bracket – PS	ns	11808	1	Bolt Bag
2	83647	2	Shoe				
11808 Bolt Bag							
4		4	5/8-11 x 2-1/2 Carriage Bolt G5	6		4	5/8-11 Locknut GB
5		4	5/8 Flat Washer				
			ns = not shown				G = Grade

### ⚠ WARNING

Do not exceed GVWR or GAWR, including blade and ballast.

### ⚠ CAUTION

Read this document before installing the shoe kit.

### ⚠ CAUTION

See your sales outlet/website for specific vehicle application recommendations before installation. The online selection system has specific vehicle and snowplow requirements.

### ⚠ CAUTION

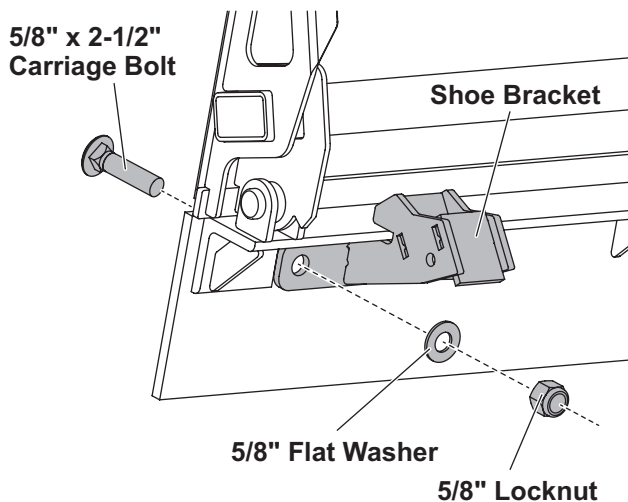
Use standard methods and practices when attaching snowplow and installing accessories, including proper personal protective safety equipment.

## INSTALLATION INSTRUCTIONS

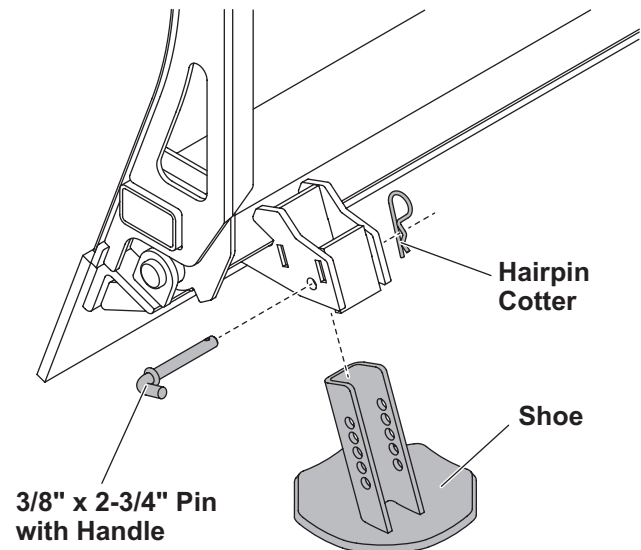
### ⚠ WARNING

**Blade can drop unexpectedly. Place blade on jack stands. Failure to do so could result in serious personal injury.**

1. Park the vehicle on a smooth, level, hard surface, such as concrete. Raise the blade, then turn the control OFF.
2. From the side of the blade assembly, place jack stands under the T-frame.
3. Turn the control ON and lower the blade onto the jack stands. Turn the control OFF. Turn the vehicle ignition to the "OFF" position and remove the key.
4. Remove the two outermost cutting edge bolts from the driver-side blade wing.
5. Place the driver-side shoe bracket against the blade wing, aligning the bracket holes with the outermost cutting edge mounting holes. Install the bracket using two 5/8" x 2-1/2" carriage bolts, two 5/8" flat washers, and two 5/8" locknuts.



6. Tighten the fasteners to 150 ft-lb.
7. Repeat for the passenger-side wing.
8. Insert the stem of one shoe up through the shoe bracket and adjust it to the desired height. Secure the shoe using a 3/8" x 2-3/4" pin with handle and hairpin cotter.



9. Repeat for the opposite blade wing.
10. Turn the vehicle ignition and snowplow control ON. Raise the blade slightly. Turn the control OFF and remove the jack stands.
11. Stand 8 feet clear of the blade, and lower the blade to the ground.

Copyright © 2020 Douglas Dynamics, LLC. All rights reserved. This material may not be reproduced or copied, in whole or in part, in any printed, mechanical, electronic, film, or other distribution and storage media, without the written consent of the company. Authorization to photocopy items for internal or personal use by the company's outlets or snowplow owner is granted.

The company reserves the right under its product improvement policy to change construction or design details and furnish equipment when so altered without reference to illustrations or specifications used. This equipment manufacturer or the vehicle manufacturer may require or recommend optional equipment for snow removal. Do not exceed vehicle ratings with a snowplow. The company offers a limited warranty for all snowplows and accessories. See separately printed page for this important information.

Printed in U.S.A.