



# SUPPLEMENT

## 1999 and later GMC and Chevrolet K1500 - K2500 4x4 & C2500 4 x 2 Models NEW BODY STYLE

### IMPORTANT NOTICE

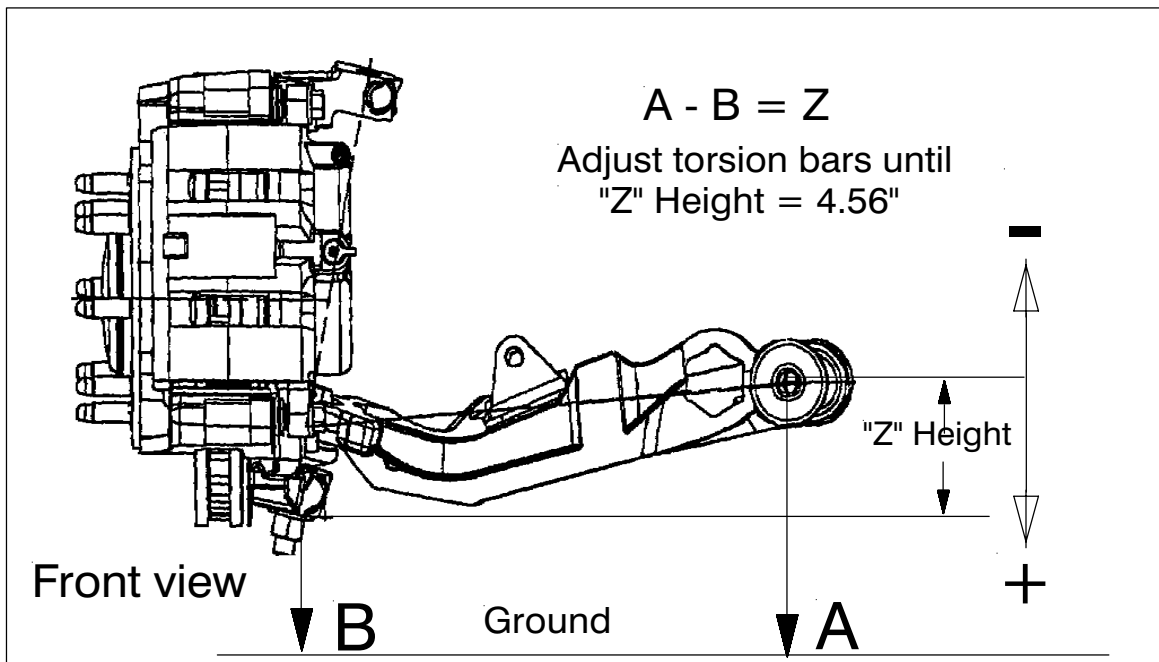
**End user must be given this instruction sheet prior to delivery of this Snow Plow.**

The equipment you have just purchased should only be used on vehicles equipped with the Manufacturer's Snow Plow Preparation Packages. Snow Plowing without the original Snow Plow Preparation Package may damage your vehicle and the added weight to the equipment may impair the operation and control of the vehicle. Snow Plowing with a vehicle that the manufacturer does not recommend for that purpose may void your new vehicle warranty. If your vehicle is not originally equipped with the Snow Plow Package, additional parts may be necessary before snow plowing. Owners of these vehicles should consult their dealers before purchase or installation of such parts. CAUTION: the installation, on any vehicle, of these parts is not a full substitute for the original equipment Snow Plow Preparation Package. General Motors recommends that C2500 4x2 vehicles used for snow plowing have the 8,600 lb. GVWR optional front suspension package C6P.

**Warning: Lift Arm extends beyond bumper of vehicle. To minimize damage from a front-end collision, Lift Arm should be removed from vehicle when Snow Plow is removed.**

***General Motors recommends that for snowplow application, the vehicle "Z" height be checked after all permanently attached hardware is installed. To maintain the proper "Z" Height of the vehicle suspension, it may be necessary to adjust the vehicle torsion bars. See illustration***

***This procedure may still be necessary even though the vehicle is equipped with the (VYU) snowplow preparation package .***



Parts indented are included in the carton, bag or assembly under which they are indented. When ordering parts, furnish Part No., Name, and Description. Also furnish Vehicle Model and Year. Type of Hydraulic Unit and Moldboard Size.

Meyer Products reserves the right, under its continuing product improvement program, to change construction or design details, specifications and prices without notice or without incurring any obligation.