



**1. THINK SAFETY, ALWAYS WEAR SAFETY GLASSES WHEN PERFORMING THE OPERATIONS PRE-SCRIBED IN THESE INSTRUCTIONS**

**2. READ ALL INSTRUCTIONS CAREFULLY BEFORE ATTEMPTING INSTALLATION**

**ASSEMBLY TOOLS NEEDED:**

Sockets 7/16"-1-1/8"  
Wrenches 7/16"-1-1/8"  
Torque Wrench

Bolt Size	GR.2 Dry	GR.5 Dry	GR.8 Dry	Metric Size	GR.8.8 Dry
1/4"	66*	9	12	M8	17
5/16"	11	17	25	M10	35
3/8"	20	30	45	M12	60
7/16"	32	50	70	M14	95
1/2"	50	75	110	M16	155
9/16"	70	110	150		
5/8"	100	150	220		
3/4"	175	260	380		
7/8"	170	430	600		
1"	250	640	900		

These torque values are to be used for all hardware. Unless otherwise specified, all torque values must meet this specification.  
All torque values are in Ft.-Lbs unless otherwise stated  
\*In-Lbs

**INSTALLATION NOTES:**

- The following modifications may be required due to differences incurred by the 6 cylinder engine.
- Follow Mounting Instructions, steps 1-3, as required on Sub Frame Assembly & Installation Instructions.
- If vehicle radiator, or parts related, interfere with Front Crossmember (#96100282), follow the prescribed modifications below.

**Mounting Instructions:**

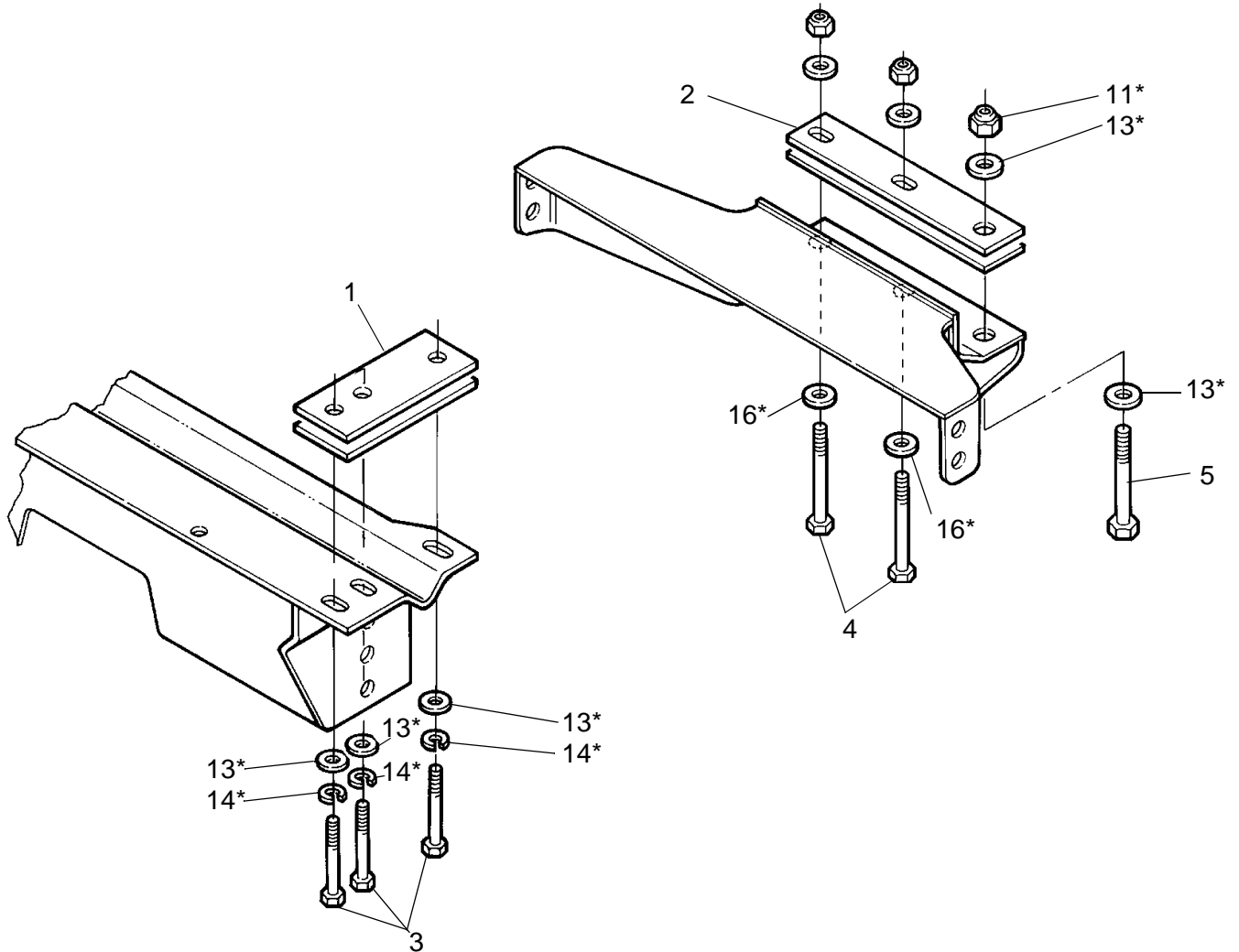
- In order to provide extra clearance install necessary amount of Spacer Plates (#96101629) between Front Crossmember and vehicle frame. Mount Front Crossmember (#96100282) by aligning Front Crossmember mounting holes, and Spacer Plate holes, with existing vehicle frame rail holes. Secure using six (6) M12-1.25 x 60mm Metric Capscrews (#98100082), Lock Washers, and Flat Washers provided.

*NOTE: It is recommended that Loctite® or similar thread locking material be used on the Metric Capscrews during installation.*

- Attach Rear Crossmember to vehicle frame using same amount of Spacers (#96101630) as Front Crossmember needed. Secure using one (1) 1/2" x 3-1/2" Capscrew (#98009036) and two (2) 3/8" x 3-1/2" Capscrews (#98009093) Flat Washers and Nylock Nuts provided.

*NOTE: Torque all Capscrews to specifications in the Torque Specifications Chart above.*

**Part No. 96101631 Sub-Frame Kit Instruction Supplement**  
**For**  
**Subframe Components Package 99100030**  
**1986 & Later Toyota 4X4 Pickup & Forerunner**



\* From 99100030 Subframe Components Package.

ITEM	PART NO.	DESCRIPTION	QTY.
1	96101629	Plate, Spacer .....	4
2	96101630	Bar, Spacer .....	2
3	98100082	Capscrew, Hex, Metric M12-1.25 x 60 .....	6
4	98009093	Capscrew, Hex, 3/8"-16 x 3-1/2" .....	2
5	98009036	Capscrew, Hex, 1/2"-13 x 3-1/2" .....	1
11	98009013	Nut, Hex Nylock, 1/2"-13NC .....	1
13	98009011	Washer, Flat, 1/2" .....	8
14	98009012	Washer, Lock 1/2" .....	6
16	98009032	Washer, Flat, 3/8" .....	4
17	98009009	Nut, Hex Nylock, 3/8"-16NC .....	2



SNO-WAY INTERNATIONAL, INC.

97100252B

[www.storksplows.com](http://www.storksplows.com)