

SNO-WAY[®]

SNOW & ICE CONTROL EQUIPMENT

Assembly & Installation Instructions

**FOR
VEHICLE MOUNT KIT 99101078**

TO FIT
2011 - LATER JEEP GRAND CHEROKEE 4X4
2011 - LATER DODGE DURANGO 4X4



1. THINK SAFETY, ALWAYS WEAR SAFETY GLASSES WHEN PERFORMING THE OPERATIONS PRESCRIBED IN THESE INSTRUCTIONS
2. READ ALL INSTRUCTIONS CAREFULLY BEFORE ATTEMPTING INSTALLATION
3. BEFORE BEGINNING WORK MAKE SURE TO SET PARKING BRAKE AND CHOCK WHEELS



MINIMUM VEHICLE RECOMMENDATIONS

Heavy Duty Alternator
Heavy Duty Battery

NOTE: On some vehicles it may be necessary to use a form of load booster to decrease the vehicle's front suspension sag with the snow plow in place. This can be accomplished with the use of supplementary air bags, booster springs, or similar load boosting devices. Since there are different load boosting devices available, it will up to the customer/end user to decide and purchase the product to suit the application, and not the responsibility of Sno-Way International, Inc.

ASSEMBLY TOOLS NEEDED

Drill Bits 1/4", 17/32"
Impact Sockets 7/16" – 1-3/8", 10mm - 18mm
Wrenches 7/16" – 1-3/8", 10mm - 18mm
Rat Tail Pry Bar
Center Punch and Hammer

INSTALLATION NOTES

1. Unless otherwise specified, mount all Vehicle Mount Kit Components to vehicle before tightening any hardware.
2. It is recommended that **LOCTITE®**, or similar thread locking product, be used on ALL mounting hardware (i.e. Nuts, Cap Screws, Bolts, etc.).
3. Vehicle should be parked on a level surface with a normal vehicle load on the FRONT suspension.
4. Items in parentheses () refer to quantity required for this step. Items in parentheses with a pound sign (#) indicate the part number as found in the parts list on the last page of this document.
Example: (10) Washer, Lock, 1/2" (#8).
5. It may be necessary to relocate license plate holder. Check state and local laws for placement, if needed.

MOUNTING INSTRUCTIONS

1. Remove the front bumper cover (fascia), splash guard and skid plate. Retain the skid plate and splash guard for re-installation if the Vehicle Mount Kit is removed.
2. Remove the tow hooks, if equipped. Retain for re-installation if the Vehicle Mount Kit is removed.
3. Assemble the Vehicle Center Mtg. (#1) to the vehicle frame rails:
Secure the Vehicle Center Mtg. (#1) to the threaded tow hook holes using (4) M10-1.5 x 35 Cap Screws (#4), (4) 7/16" Lock Washers (#5), (4) 7/16" Flat Washers (#6).
4. Install the Rear Mtg Weldments, DS (#2) and PS (#3):
Secure to the Vehicle Center Mtg. (#1), using (4) 1/2"-13 x 1-1/2" Cap Screws (#7) and (4) 1/2"-13 Nylock Nuts (#8).
To finish securing the Rear Mtg Weldments, use the hole in the horizontal surface as a template and drill 1/4" pilot holes, then drill to 17/32".
Through the drilled holes, secure the Rear Mtg. Weldments, DS (#2) and PS (#3) using (2) 1/2"-13 x 2" Cap Screws (#9), (2) 1/2" Lock Washers (#10), (6) 1/2" Flat Washers (#11) ((3) for the DS and (3) for the PS, between the Rear Mtg Weldment and the bottom side of the rear crossmember), and (2) Nut Plate Weldments (#12).
5. Using the Torque Specification Chart provided, torque all Cap Screws.
6. Re-install front bumper cover (fascia).

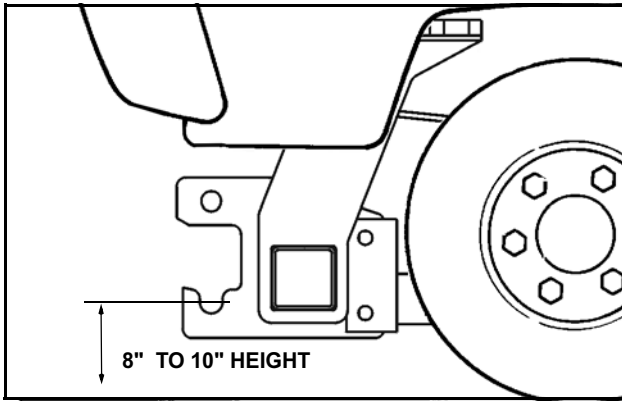


Figure 1

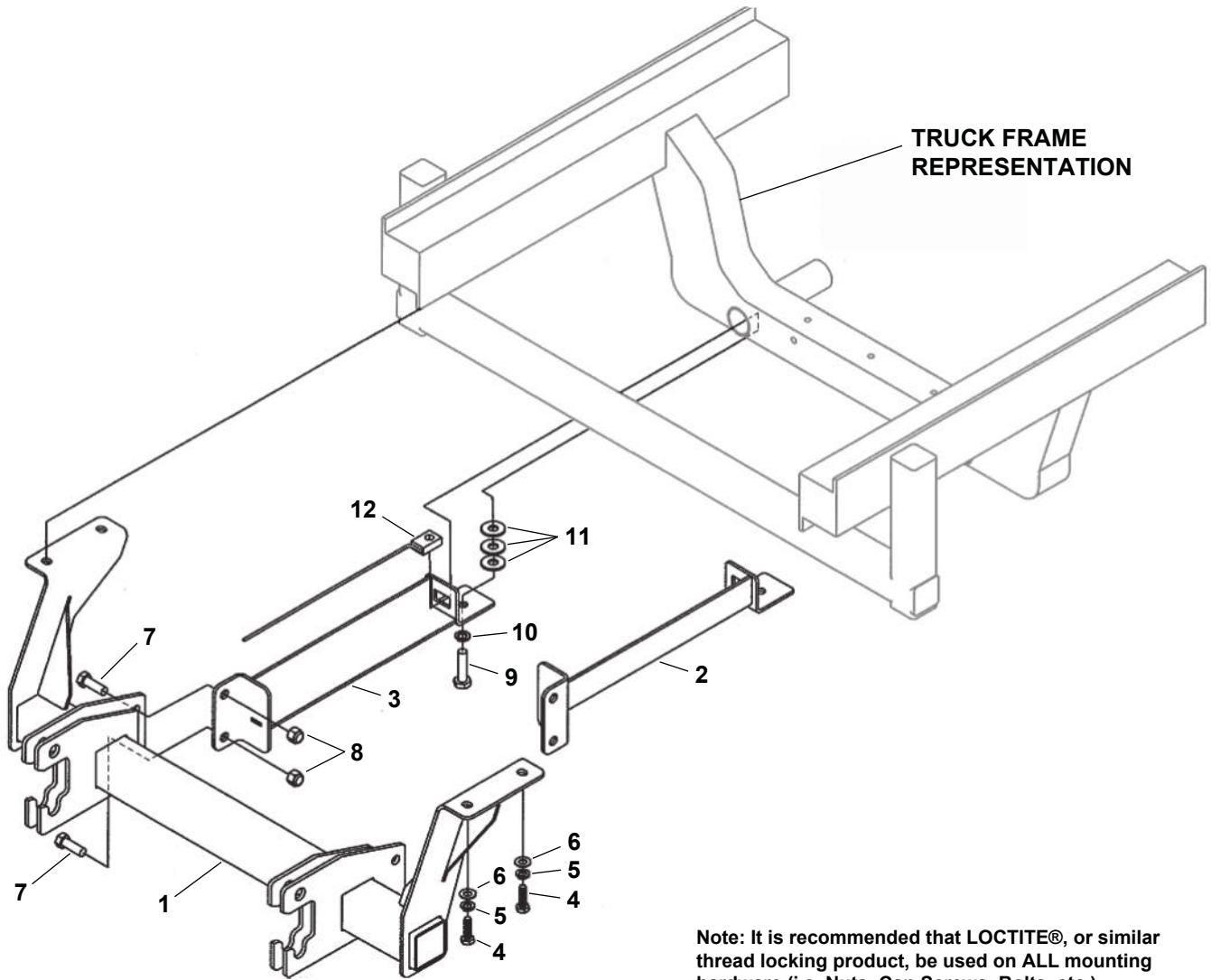
IMPORTANT: Height from the center of the lower Plow Mounting holes on the Vehicle Mount Kit to the ground should be between 8" and 10" to ensure proper operation.

TORQUE SPECIFICATIONS FOR STANDARD MACHINE HARDWARE					
Bolt Size	GR.2 Dry	GR.5 Dry	GR.8 Dry	Metric Size	GR.8.8 Dry
1/4"	66*	9	12	M8	17
5/16"	11	17	25	M10	35
3/8"	20	30	45	M12	60
7/16"	32	50	70	M14	95
1/2"	50	75	110	M16	155
9/16"	70	110	150		
5/8"	100	150	220		
3/4"	175	260	380		
7/8"	170	430	600		
1"	250	640	900		

Note: These torque values are to be used for all hardware. Unless otherwise specified, all torque values must meet this specification.
 Note: All torque values are in Ft.-Lbs unless otherwise stated
Note: *In-Lbs

REMEMBER After 5 to 10 hours of snowplow usage, re-torque all Cap Screws!

PARTS LIST



Note: It is recommended that LOCTITE®, or similar thread locking product, be used on ALL mounting hardware (i.e. Nuts, Cap Screws, Bolts, etc.).

ITEM	PART NO.	DESCRIPTION	QTY.
1	96113984*	Vehicle Center Mtg.	1
2	96113985*	Rear Mtg. Weldment, DS.....	1
3	96113986*	Rear Mtg. Weldment, PS.....	1
4	98109060	Hex Head Cap Screw, M10-1.5 x 35.....	4
5	98009045	Lock Washer, 7/16".....	4
6	98009049	Flat Washer, 7/16".....	4
7	98009010	Hex Head Cap Screw, 1/2"-13 x 1-1/2".....	4
8	98009013	Nylock Nut, 1/2"-13.....	4
9	98100010	Hex Head Cap Screw, 1/2"-13 x 2".....	2
10	98009012	Lock Washer, 1/2".....	2
11	98100176	Flat Washer, 1/2".....	6
12	96107185	Nut Plate, Weldment.....	2

NOTE: * Not Available As a Service Part

SNO-WAY® INTERNATIONAL, INC.



Hartford, WI 53027 USA
 Website: www.snoway.com
 ©2011 Sno-Way® International