

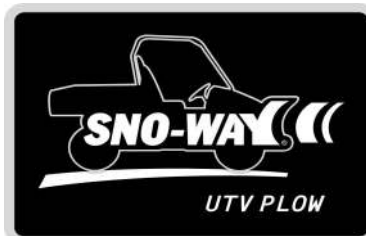
# **SNO-WAY**®

**SNOW & ICE CONTROL EQUIPMENT**

## **ASSEMBLY & INSTALLATION INSTRUCTIONS**

**VEHICLE MOUNT KIT 99101278  
FOR UTV SERIES PLOW**

TO FIT  
2015 & Later - Arctic Cat Prowler  
2016 & Later Arctic Cat HDX



©2016 Sno-Way® International

97102037A



1. THINK SAFETY, ALWAYS WEAR SAFETY GLASSES WHEN PERFORMING THE OPERATIONS PRESCRIBED IN THESE INSTRUCTIONS
2. READ ALL INSTRUCTIONS CAREFULLY BEFORE ATTEMPTING INSTALLATION
3. BEFORE BEGINNING WORK MAKE SURE TO SET PARKING BRAKE AND CHOCK WHEELS



### ASSEMBLY TOOLS NEEDED

Drill Bits	1/4" - 5/8"
Impact Sockets	7/16" - 3/4"
Wrenches	7/16" - 3/4"
Torque Wrench	
Rat Tail Pry Bar	
Center Punch and Hammer	
Screwdrivers	

### INSTALLATION NOTES

1. Vehicle should be parked on a level surface with a normal vehicle load on the FRONT suspension.
2. On some vehicles it may be necessary to raise or stiffen the suspension to decrease the vehicles front suspension sag with the snow plow in place.
3. Unless otherwise specified, mount all Vehicle Mount Kit Components to vehicle before tightening any hardware.
4. It is recommended that LOCTITE®, or similar thread locking product, be used on ALL mounting hardware (i.e. Nuts, Cap Screws, Bolts, etc.).
5. Items in parentheses ( ) refer to quantity required for this step. Items in parentheses with a pound sign (#) indicate the part number as found in the parts list on the last page of this document.  
Example: (2) 1/2" Lock Washers (#9).

### MOUNTING INSTRUCTIONS

1. Remove eight screws from the lower grill.  
(See Figure 1 and Figure 2.) Remove lower grill.

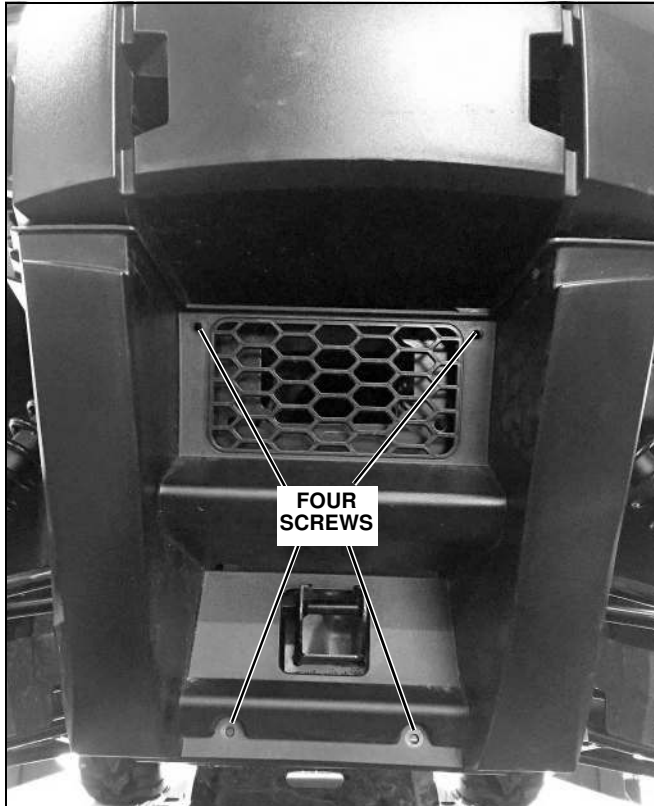


Figure 1

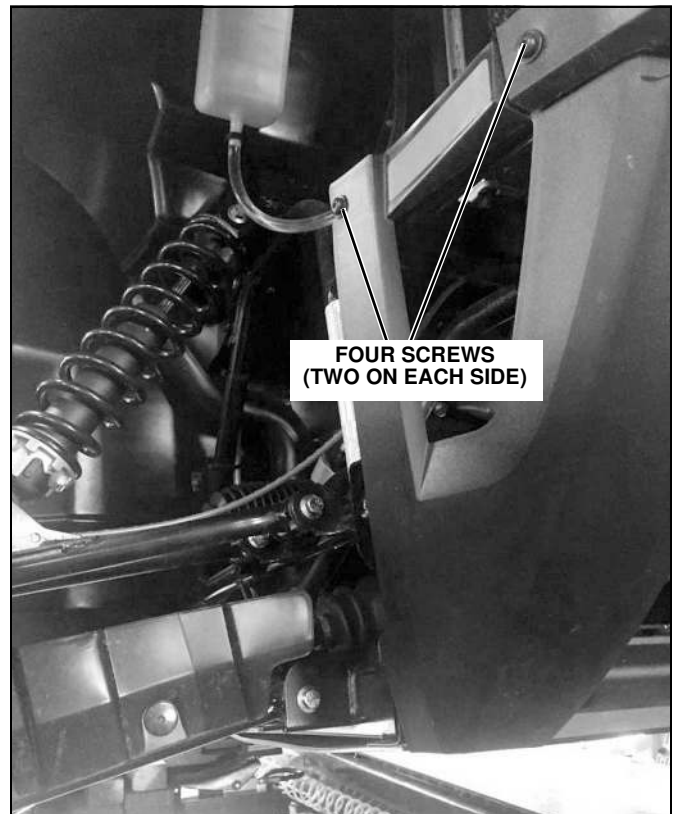


Figure 2

- Remove four screws from the front of the bottom skid plate. (See Figure 3.)

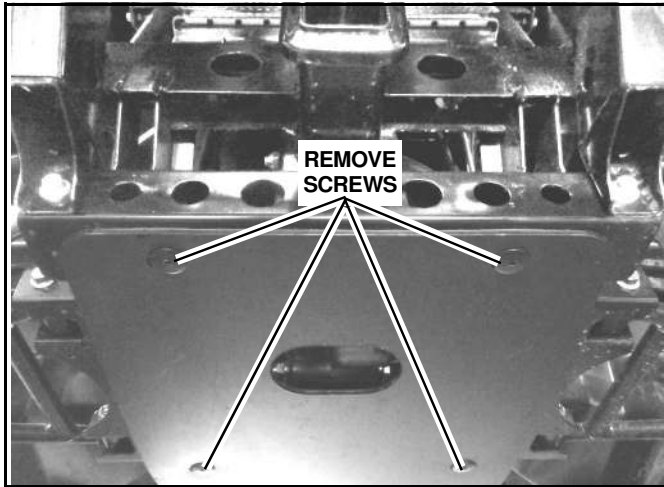


Figure 3

- Insert the Upper Bracket (#1) behind the frame, aligning the rectangular hole in the Upper Bracket with the rectangular winch mount hole in the frame. Secure with (4) 3/8" x 1-1/4" Hex Head Cap Screws (#7) and (4) 3/8" Lock Nuts (#8). (See Figure 4 and Figure 5.)

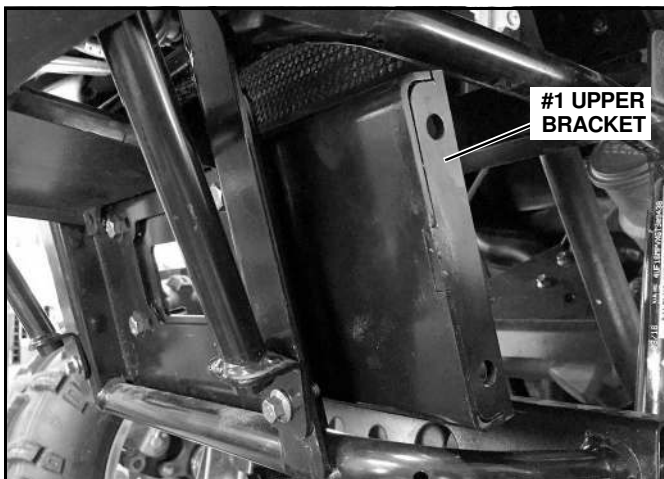


Figure 4

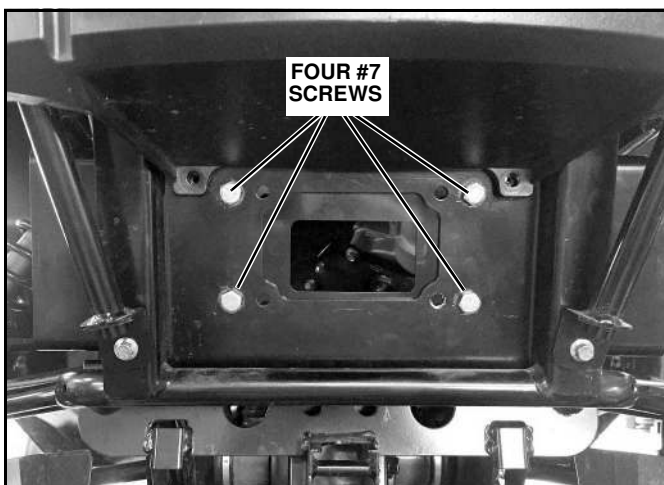


Figure 5

**NOTE:** If vehicle has a winch you will need to remove it to install the Upper Bracket. Depending on winch model you may or may not be able to re-install the winch behind the Upper Bracket.

- Tighten hardware installed in step 3.
- Re-install the lower grill in removed in step 1. Leave grill loose. Do not install hardware at this time. It may be necessary to trim the grill to clear the hardware installed in step 3.
- Insert the Mounting Bracket (#2) against the frame. Secure with (2) 7/16" x 1-1/2" Hex Head Cap Screws (#4) and (2) 7/16" Lock Nuts (#6). (See Figure 6.) Tighten.

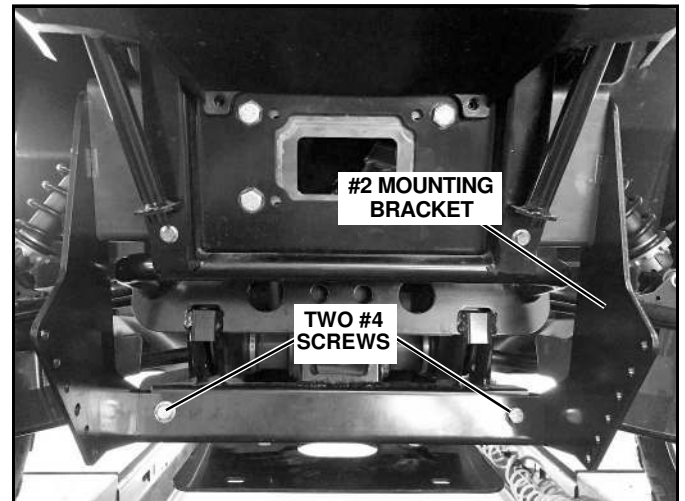


Figure 6

- Mark the location of two inside holes on the bottom of the Mounting Bracket (#2) onto the frame of the vehicle. (See Figure 7.) Remove 7/16" x 1-1/2" Hex Head Cap Screws (#4) and (2) 7/16" Lock Nuts (#6) and remove Mounting Bracket (#2).

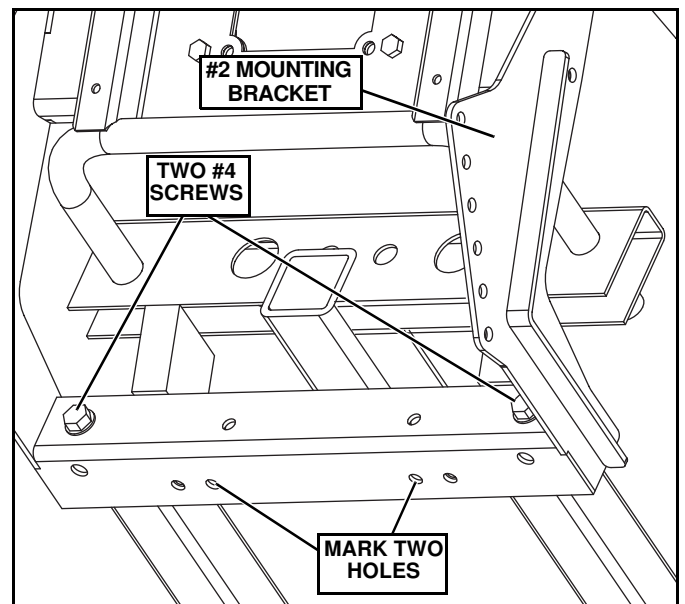


Figure 7

- Drill two 13/32" holes in the bottom of the vehicle frame in the marked locations. **NOTE:** If a 13/32" drill bit is not available, use a 7/16" bit.

9. Re-install Mounting Bracket (#2) against the frame. Insert (2) 7/16" x 1-1/2" Hex Head Cap Screws (#4) and (2) 7/16" Washers (#5) into the Bracket (#2) and vehicle frame. Loosely secure with (2) 7/16" Washers (#5) and (2) 7/16" Lock Nuts (#6). (See Figure 8.)

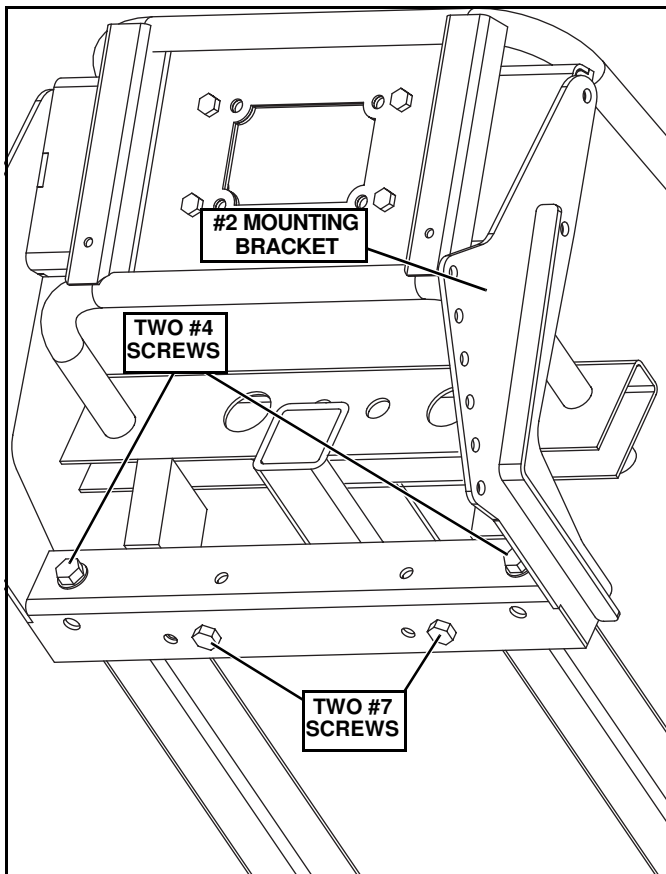


Figure 8

10. Insert (2) 3/8" x 1-1/4" Hex Head Cap Screws (#7) into the bottom inside holes of the Mounting Bracket (#2). (See Figure 8.) Loosely secure with (2) 3/8" Lock Nuts (#8).

11. Insert (4) 3/8" x 1-1/4" Hex Head Cap Screws (#7) thru the sides of the Mounting Bracket (#2) and into the Upper Bracket (#1) (2 on each side). (See Figure 9.) Secure with (4) 3/8" Lock Nuts (#8).

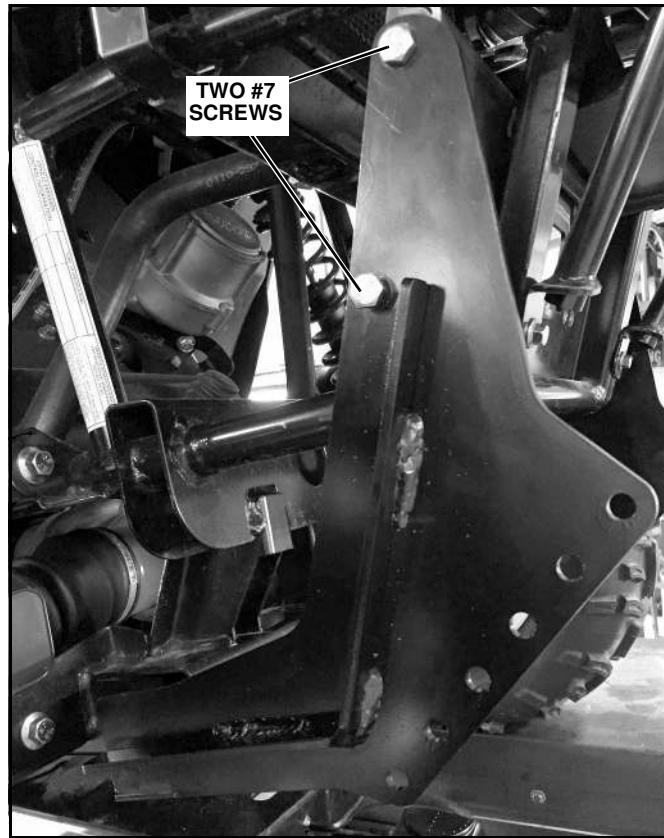


Figure 9

12. Tighten all hardware installed in steps 9 thru 11.  
13. Drill 2 holes in the bottom skid plate to clear the heads of the (2) 3/8" x 1-1/4" Hex Head Cap Screws (#7) installed in step 10. (See Figure 10.)

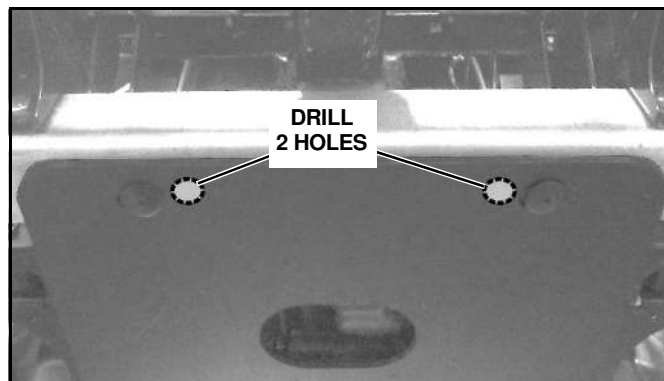


Figure 10

14. Replace the 4 screws in the bottom skid plate and tighten.  
15. Replace and tighten the 8 screws that hold the grill in place. (See Figure 1 and Figure 2.)

16. Position the UTV Mount (#3) to the inside of the Mounting Bracket (#2). Adjust the UTV Mount height between the Side Brackets so that the center of the lower pin slots is 11 to 12 inches off the ground. (See Figure 11.)

*NOTE: The UTV Mount is shipped in power pack carton.*

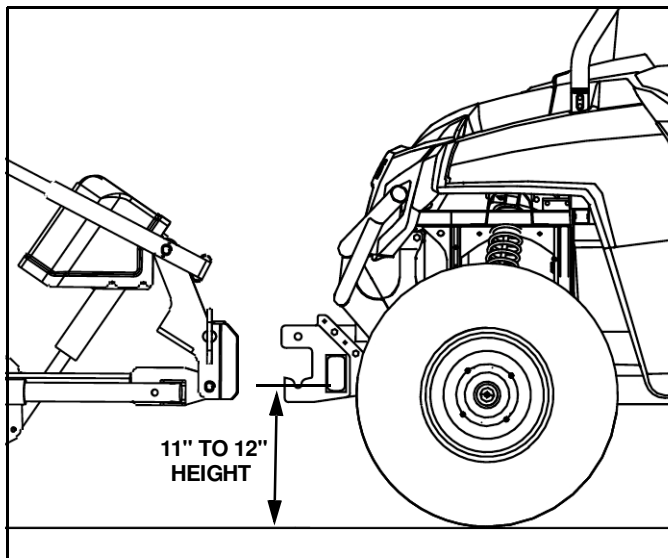


Figure 11

**IMPORTANT:** Height from the bottom of the lower pin slots on the UTV Mount to the ground should be between 11" and 12" to ensure proper operation.

17. Secure the UTV Mount (#3) with (6) 3/8" x 1-1/4" Hex Head Cap Screws (#7) and (6) 3/8" Lock Nuts (#8). (See Figure 12.)

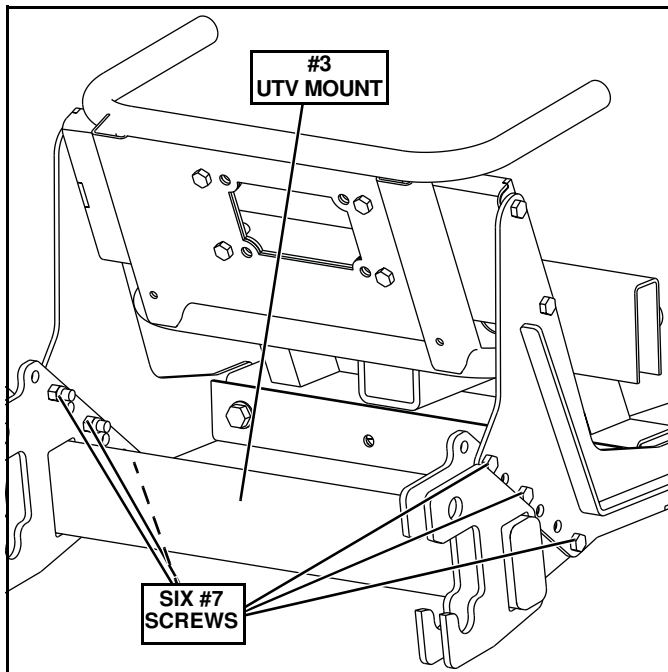


Figure 12

18. Torque all hardware using the Torque Specification Chart below:

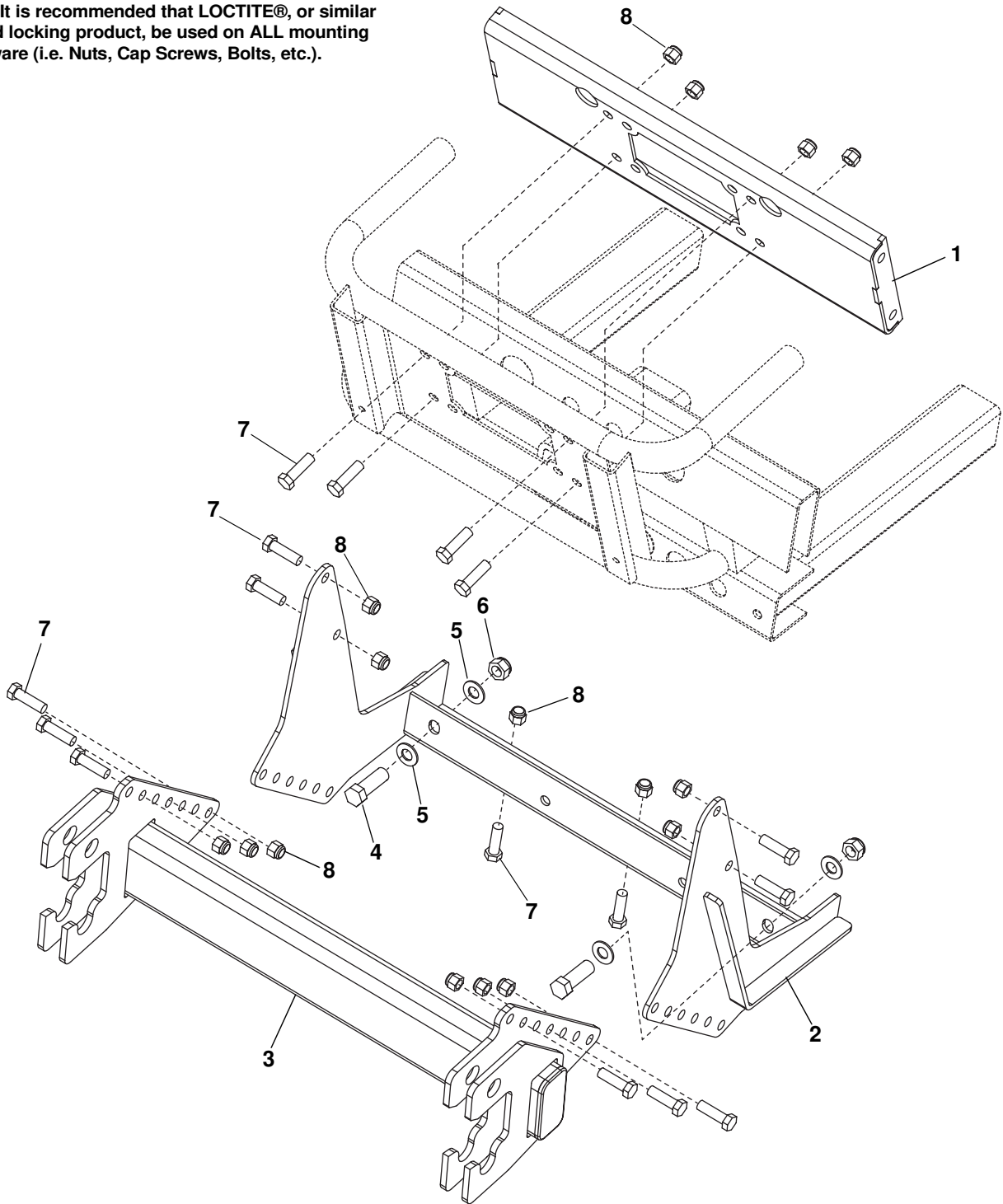
TORQUE SPECIFICATIONS FOR STANDARD MACHINE HARDWARE					
Bolt Size	GR.2 Dry	GR.5 Dry	GR.8 Dry	Metric Size	GR.8.8 Dry
1/4"	66*	9	12	M8	17
5/16"	11	17	25	M10	35
3/8"	20	30	45	M12	60
7/16"	32	50	70	M14	95
1/2"	50	75	110	M16	155
9/16"	70	110	150		
5/8"	100	150	220		
3/4"	175	260	380		
7/8"	170	430	600		
1"	250	640	900		

These torque values are to be used for all hardware. Unless otherwise specified, all torque values must meet this specification.  
All torque values are in Ft.-Lbs unless otherwise stated  
\*In-Lbs

**REMEMBER** After 5 to 10 hours of snowplow usage, re-torque all hardware!

# PARTS LIST

Note: It is recommended that LOCTITE®, or similar thread locking product, be used on ALL mounting hardware (i.e. Nuts, Cap Screws, Bolts, etc.).



ITEM	PART NO.	DESCRIPTION	QTY.
1		Bracket, Upper .....	1
2		Bracket, Mounting .....	1
3		UTV Mount (Inside Power Pack Carton) .....	1
4		HHCS, 7/16"-14 x 1-1/2".....	2
5		PW, 7/16".....	4
6		LN, 7/16"-14 .....	2
7		HHCS, 3/8"-16 x 1-1/4".....	16
8		LN, 3/8"-16 .....	16
9	96116481	Kit, HDWE (Not Shown) (Includes Items 4-8).....	1

# NOTES

---

**SNO-WAY® INTERNATIONAL, INC.**

**SNO-WAY**  
SNOW & ICE CONTROL EQUIPMENT

[www.storksplows.com](http://www.storksplows.com)

Hartford, WI 53027 USA  
Website: [www.snoway.com](http://www.snoway.com)  
©2016 Sno-Way® International