

# **SNO-WAY**®

**SNOW & ICE CONTROL EQUIPMENT**

## **ASSEMBLY & INSTALLATION INSTRUCTIONS**

**VEHICLE MOUNT KIT 99101332  
FOR UTV SERIES PLOW**

TO FIT  
2017 & Later - Hustler MDV



©2018 Sno-Way® International

97102141A



1. THINK SAFETY, ALWAYS WEAR SAFETY GLASSES WHEN PERFORMING THE OPERATIONS PRESCRIBED IN THESE INSTRUCTIONS
2. READ ALL INSTRUCTIONS CAREFULLY BEFORE ATTEMPTING INSTALLATION
3. BEFORE BEGINNING WORK MAKE SURE TO SET PARKING BRAKE AND CHOCK WHEELS



### ASSEMBLY TOOLS NEEDED

Impact Sockets	7/16" - 1-3/8"
Wrenches	7/16" - 1-3/8"
Drill Bit	13/32"
Torque Wrench	
Center Punch	

### INSTALLATION NOTES

1. Vehicle should be parked on a level surface with a normal vehicle load on the FRONT suspension.
2. On some vehicles it may be necessary to raise or stiffen the suspension to decrease the vehicles front suspension sag with the snow plow in place.
3. Unless otherwise specified, mount all Vehicle Mount Kit Components to vehicle before tightening any hardware.
4. It is recommended that LOCTITE®, or similar thread locking product, be used on ALL mounting hardware (i.e. Nuts, Cap Screws, Bolts, etc.).
5. Items in parentheses ( ) refer to quantity required for this step. Items in parentheses with a pound sign (#) indicate the part number as found in the parts list on the last page of this document.  
Example: (2) 1/2" Lock Washers (#9).

### MOUNTING INSTRUCTIONS

1. Place the Mounting Weldment (#2) up to the vehicle frame, aligning the four holes together. Secure with (4) 3/8"-16 x 1" Cap Screws (#3) and (4) 3/8"-16 Locknuts (#4). (See Figure 1 and Figure 2.)

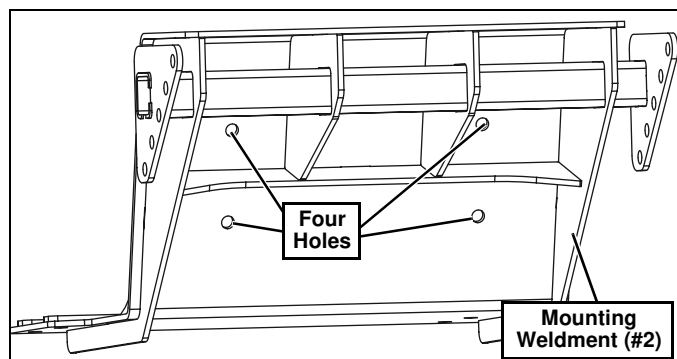


Figure 1

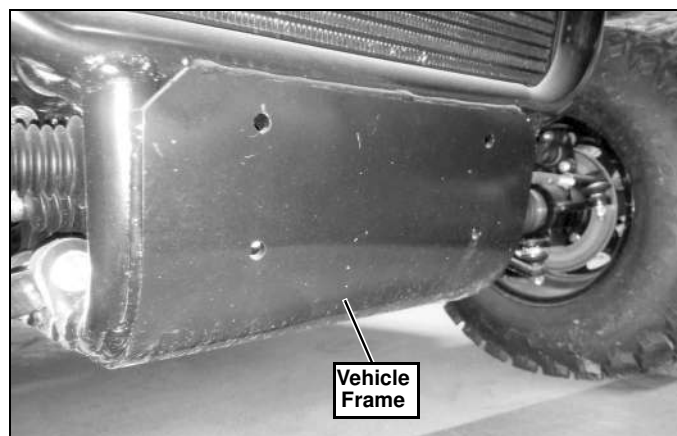


Figure 2

2. Place the back end of the Mounting Weldment (#2) tight against the bottom of the vehicle frame. There is a plate between the vehicle frame rails that prevents the inside leg of the rear 3/8"-16 x 1-3/4" x 2-3/4" U-Bolts (#5) from fitting. Mark, center punch, and drill a 13/32" hole for the rear 3/8"-16 x 1-3/4" x 2-3/4" U-Bolts (#5) for both sides of vehicle. (See Figure 3.)

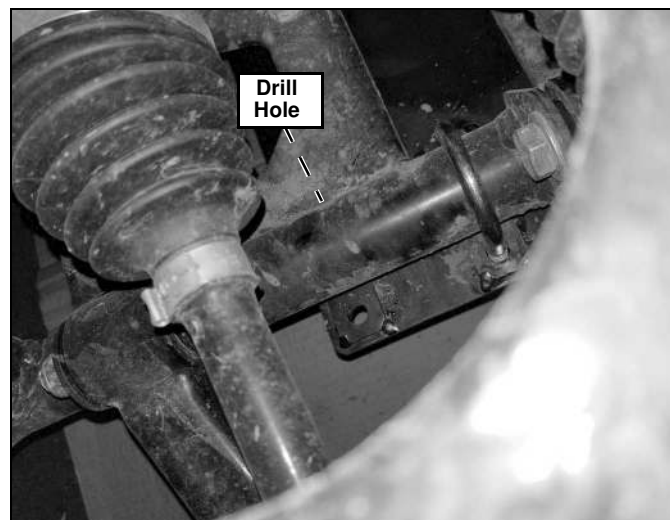
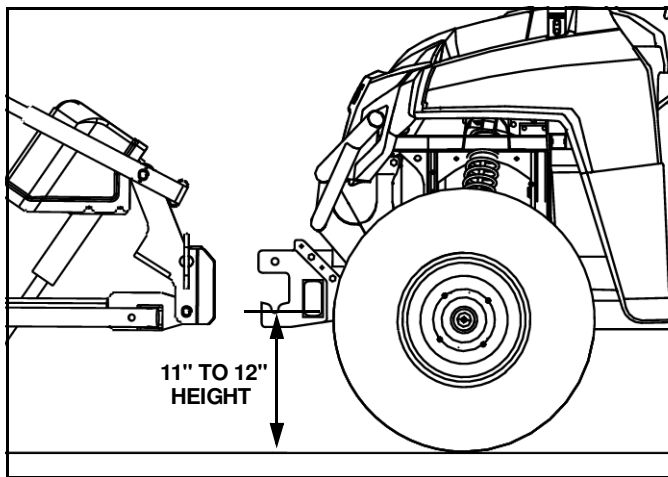


Figure 3

3. Use (4) 3/8"-16 x 1-3/4" x 2-3/4" U-Bolts (#5) and (8) 3/8"-16 Locknuts (#4) to secure the back end of the Mounting Weldment (#2).
4. Attach the UTV Mount (#1) to the Mounting Weldment (#2) with (6) 3/8"-16 x 1" Cap Screws (#6) and (6) 3/8"-16 Locknuts (#4) (three on each side).

- Adjust the UTV Mount (#1) so that the center of the bottom slot is 11-12" off the ground.



**IMPORTANT:** Height from the bottom of the lower pin slots on the UTV Mount to the ground should be between 11" and 12" to ensure proper operation.

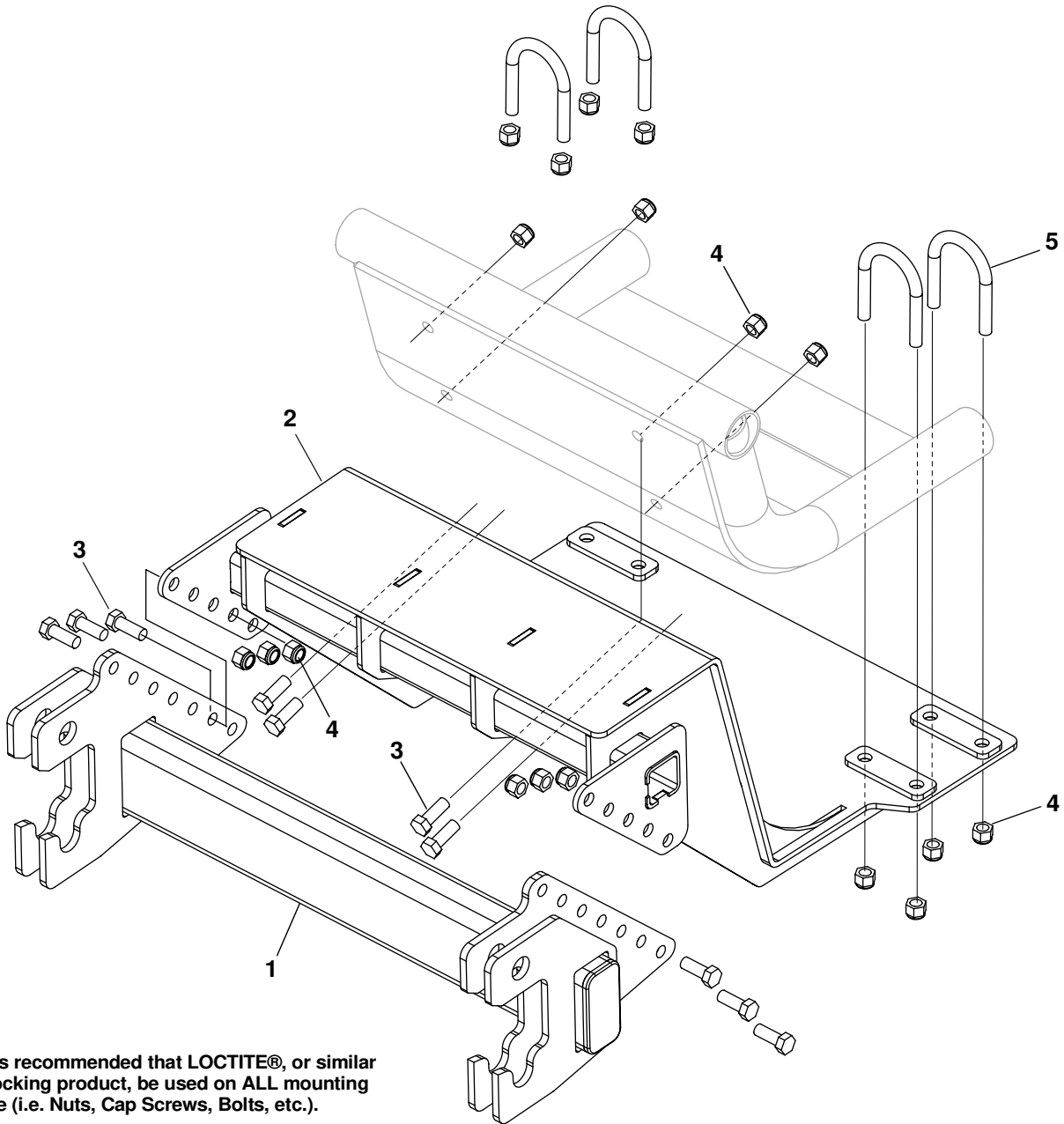
- Tighten all hardware using the Torque Specification Chart below.

TORQUE SPECIFICATIONS FOR STANDARD MACHINE HARDWARE					
Bolt Size	GR.2 Dry	GR.5 Dry	GR.8 Dry	Metric Size	GR.8.8 Dry
1/4"	66*	9	12	M8	17
5/16"	11	17	25	M10	35
3/8"	20	30	45	M12	60
7/16"	32	50	70	M14	95
1/2"	50	75	110	M16	155
9/16"	70	110	150		
5/8"	100	150	220		
3/4"	175	260	380		
7/8"	170	430	600		
1"	250	640	900		

These torque values are to be used for all hardware. Unless otherwise specified, all torque values must meet this specification.  
 All torque values are in Ft.-Lbs unless otherwise stated  
 \*In-Lbs

**REMEMBER** After 5 to 10 hours of snowplow usage, re-torque all hardware!

# PARTS LIST



Note: It is recommended that LOCTITE®, or similar thread locking product, be used on ALL mounting hardware (i.e. Nuts, Cap Screws, Bolts, etc.).

ITEM	PART NO.	DESCRIPTION	QTY.
1		UTV Mount .....	1
2		Weldment, Mounting.....	1
3		HHCS, 3/8"-16 X 1" .....	10
4		LN, 3/8"-16 .....	18
5		U-Bolt, 3/8"-16 x 1-3/4" x 2-3/4" .....	4
6	96117130	Kit, HDWE (Includes items 3-5) (Not Shown).....	1

SNO-WAY® INTERNATIONAL, INC.

**SNO-WAY**  
SNOW & ICE CONTROL EQUIPMENT

Hartford, WI 53027 USA  
Website: [www.snoway.com](http://www.snoway.com)  
©2018 Sno-Way® International

[www.storksplows.com](http://www.storksplows.com)