

# **SNO-WAY**®

**SNOW & ICE CONTROL EQUIPMENT**

## **ASSEMBLY & INSTALLATION INSTRUCTIONS**

**VEHICLE MOUNT KIT 99101364  
USING  
VEHICLE CENTER MEMBER 99100892**

**TO FIT  
2020 GM 2500/3500 Silverado/Sierra (4X4)**

Sno-Way®· Down Pressure® and EIS® are registered trademarks of Sno-Way International, Inc.  
ProControl™, MegaBlade™, V-Wing™, E-Z Switch™, Revolution™, MaxAdjust™, SpeedLock™, and  
QuickJack™ are trademarks of Sno-Way International, Inc.

©2019 Sno-Way® International

97102164A



1. **THINK SAFETY, ALWAYS WEAR SAFETY GLASSES WHEN PERFORMING THE OPERATIONS PRESCRIBED IN THESE INSTRUCTIONS**
2. **READ ALL INSTRUCTIONS CAREFULLY BEFORE ATTEMPTING INSTALLATION**
3. **BEFORE BEGINNING WORK MAKE SURE TO SET PARKING BRAKE AND CHOCK WHEELS**



### MINIMUM VEHICLE RECOMMENDATIONS

Heavy Duty Alternator  
 Heavy Duty Battery  
 Manufacturer's Snow Plow Package

*NOTE: On some vehicles it may be necessary to use a form of load booster to decrease the vehicle's front suspension sag with the snow plow in place. This can be accomplished with the use of supplementary air bags, booster springs, or similar load boosting devices. Since there are different load boosting devices available, it will up to the customer/end user to decide and purchase the product to suit the application, and not the responsibility of Sno-Way International, Inc.*

### ASSEMBLY TOOLS NEEDED

Impact Sockets	7/16" – 1-3/8"
Impact Sockets, Metric	10mm – 18mm
Wrenches	7/16" – 1-3/8"
Wrenches, Metric	10mm - 18mm
Drill Bits	17/32", 1-1/4"
Center Punch	
Torque Wrench	
Rat Tail Pry Bar	
Cutting Wheel	
Touch-up Paint	

### INSTALLATION NOTES

1. **Unless otherwise specified, mount all Vehicle Mount Kit Components to vehicle before tightening any hardware.**
2. **It is recommended that LOCTITE®, or similar thread locking product, be used on ALL mounting hardware (i.e. Nuts, Cap Screws, Bolts, etc.).**
3. Vehicle should be parked on a level surface with a normal vehicle load on the FRONT suspension.
4. Items in parentheses ( ) refer to quantity required for that step. Items with a pound sign (#) indicate the part number as found in the parts list on the last page of this document. Example: (2) of item #7.
5. It maybe necessary to relocate license plate holder. Relocate under the driver's side headlight by drilling new holes in the bumper.

### MOUNTING INSTRUCTIONS

1. Remove the lower valance lip and the valance cover, thus exposing the open areas of the bumper for mounting the kit.
2. Remove the front splash guard and let the front end of the back splash guard hang loose.
3. Set the Cross Member Weldment (#4) against the rear cross member and line up with the existing holes. Insert the bolts from the back splash guard back through the back splash guard, then item #4 and thread into the rear cross member. (See Figure 1.)

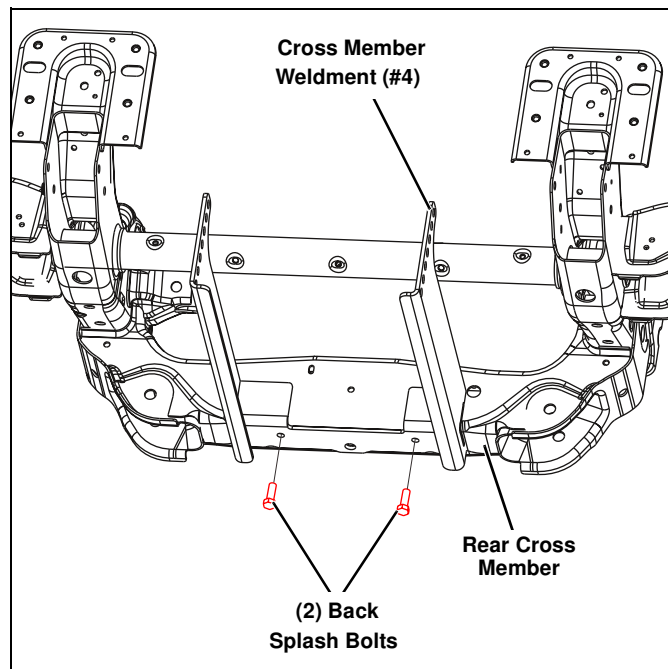


Figure 1

- Center punch and drill a 1-1/4" clearance hole in the back splash guard directly above the rear hole of the Cross Member Weldment (#4). (See Figure 2.)

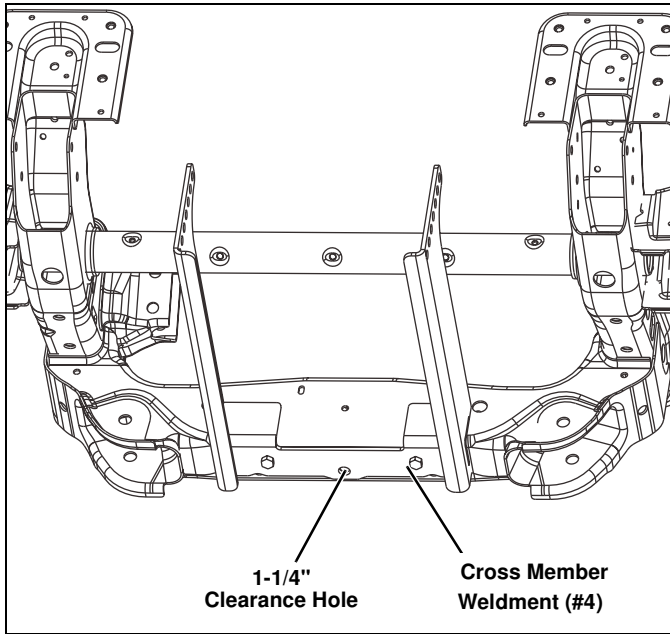


Figure 2

- Enter from the top of the Cross Member and insert a 5/8"-11 x 1-1/2" Handle Bolt Weldment (#6) through the Cross Member, Cross Member Weldment (#4), and back splash guard. Fasten with a 5/8"-11 Locknut (#7). (See Figure 3.)

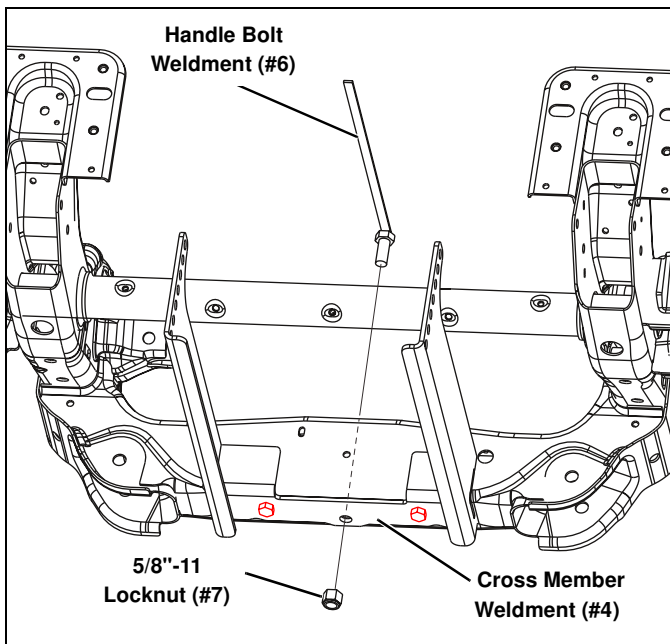


Figure 3

- Remove the driver side tow hook hardware. Align the Driver Side Mount Weldment (#2) to the frame. Run (2) 1/2"-13 x 4-1/2" Cap Screws (#12) through the item 2, the vehicle frame, and tow hooks. Fasten the hardware with (2) 1/2"-13 Locknuts (#16). (See Figure 4.)

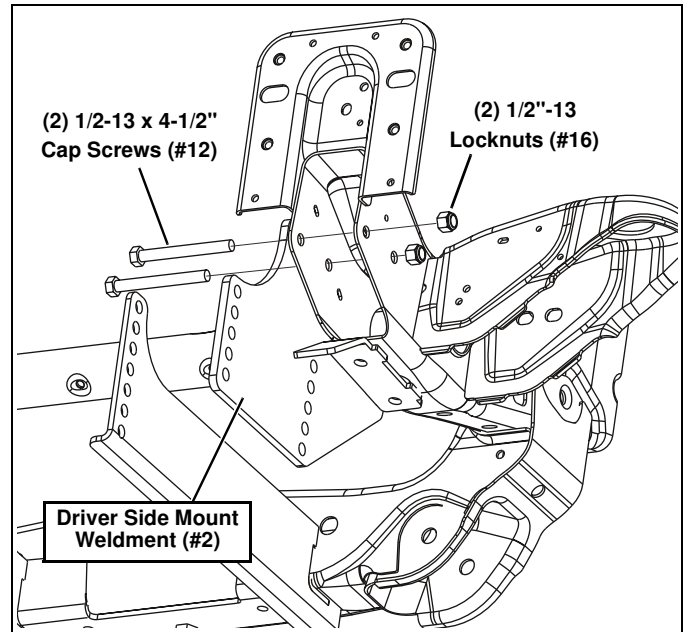


Figure 4

- Using the Driver Side Mount Weldment (#2) as a template, center punch and drill two 17/32" holes into the bottom of the frame. (See Figure 5.)

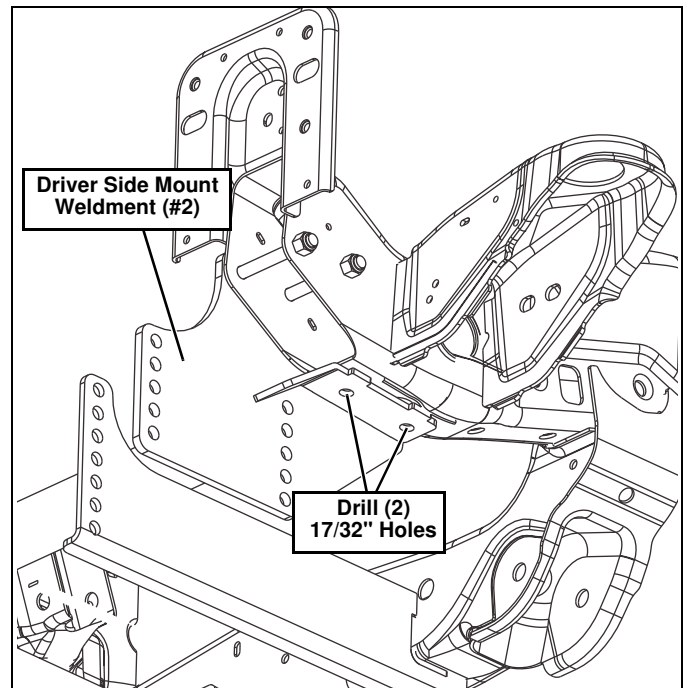


Figure 5

8. Fasten the rear hole with (1) 1/2"-13 Nut Plate Weldment (#5) and (1) 1/2"-13 x 1-1/2" Cap Screw (#15). Use (1) 1/2"-13 x 1-1/2" Cap Screw (#15), (1) 1/2" Plain Washer (#11), and (1) 1/2"-13 Locknut (#16) for fastening the front drilled hole. (See Figure 6.)

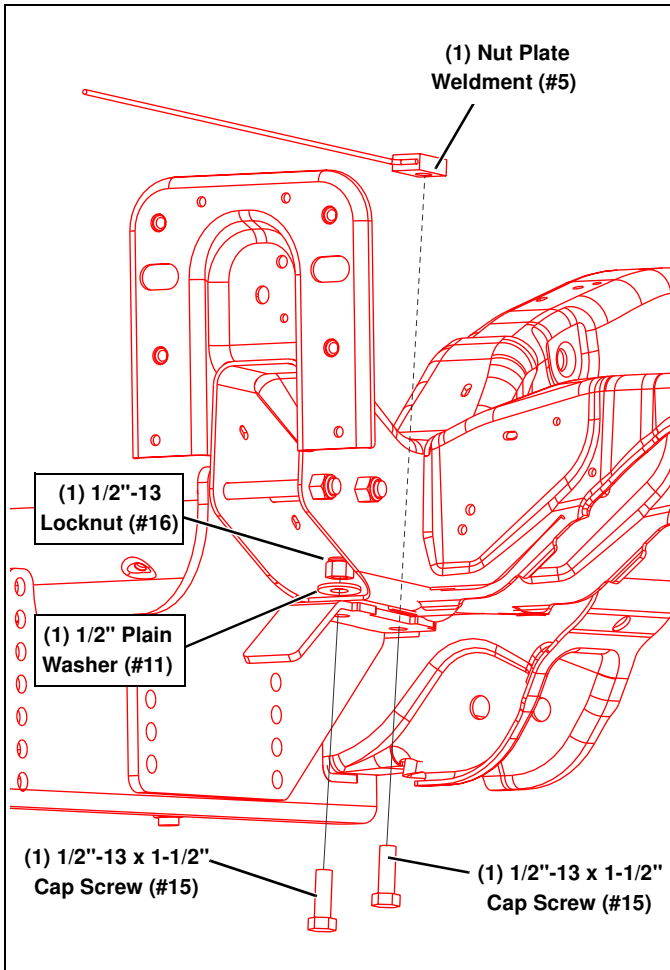


Figure 6

9. Repeat steps 6-8 to install the Passenger Side Mount Weldment (#3).

10. Position the Vehicle Center Member (#1) between the Side Mounting Weldments (#2 & #3) to allow for an 8" to 10" height between the VCM and the ground. (See Figure 7.)

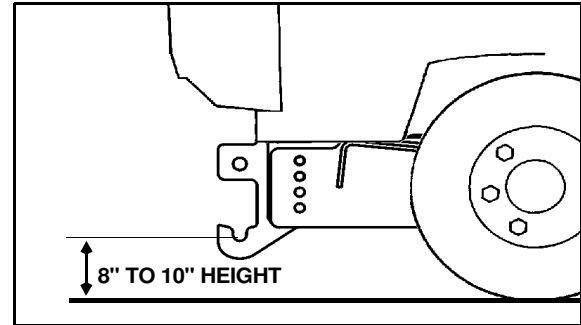


Figure 7

**IMPORTANT:** Height from the bottom of the lower pin slots on the Vehicle Mount Kit to the ground should be between 8" and 10" for proper operation.

11. Secure the Vehicle Center Member (#1) to the Side Mounting Weldments (#2 & #3) using (4) 1/4" Spacer Plates (#8), (2) 1/2" Lock Washers (#10), (2) 1/2"-13 x 2" Caps Screws (#13), (6) 1/2"-13 x 1-3/4" Caps Screws (#14), and (6) 1/2"-13 Locknuts (#16). (See Figure 8.)

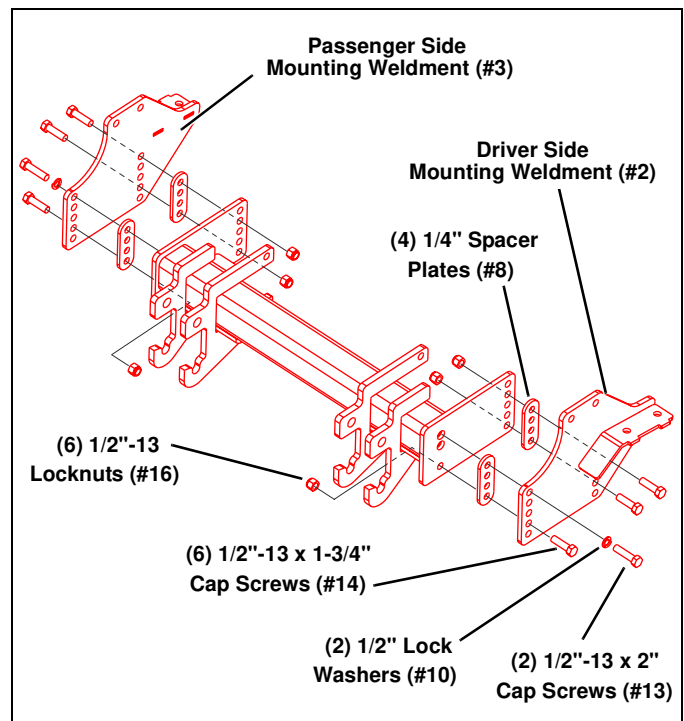


Figure 8

12. Secure the Vehicle Center Member (#1) to the Cross Member Weldment (#4) with (2) Spacer Plates (#9), (2) 1/2"-13 x 1-1/2" Cap Screws (#15), (4) 1/2"-13 x 1-3/4" Cap Screws (#14), and (6) 1/2"-13 Locknuts (#16). (See Figure 9.)

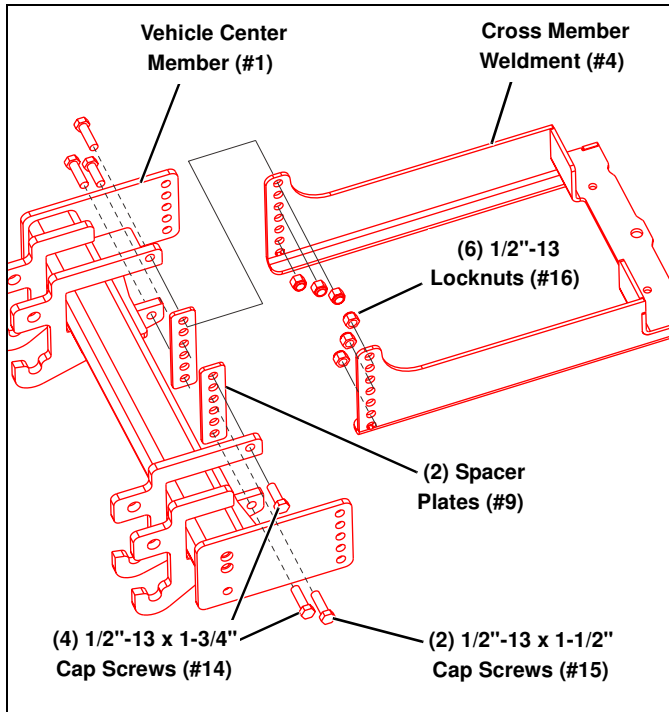


Figure 9

*NOTE: Hardware position will vary depending on Vehicle Center Member placement.*

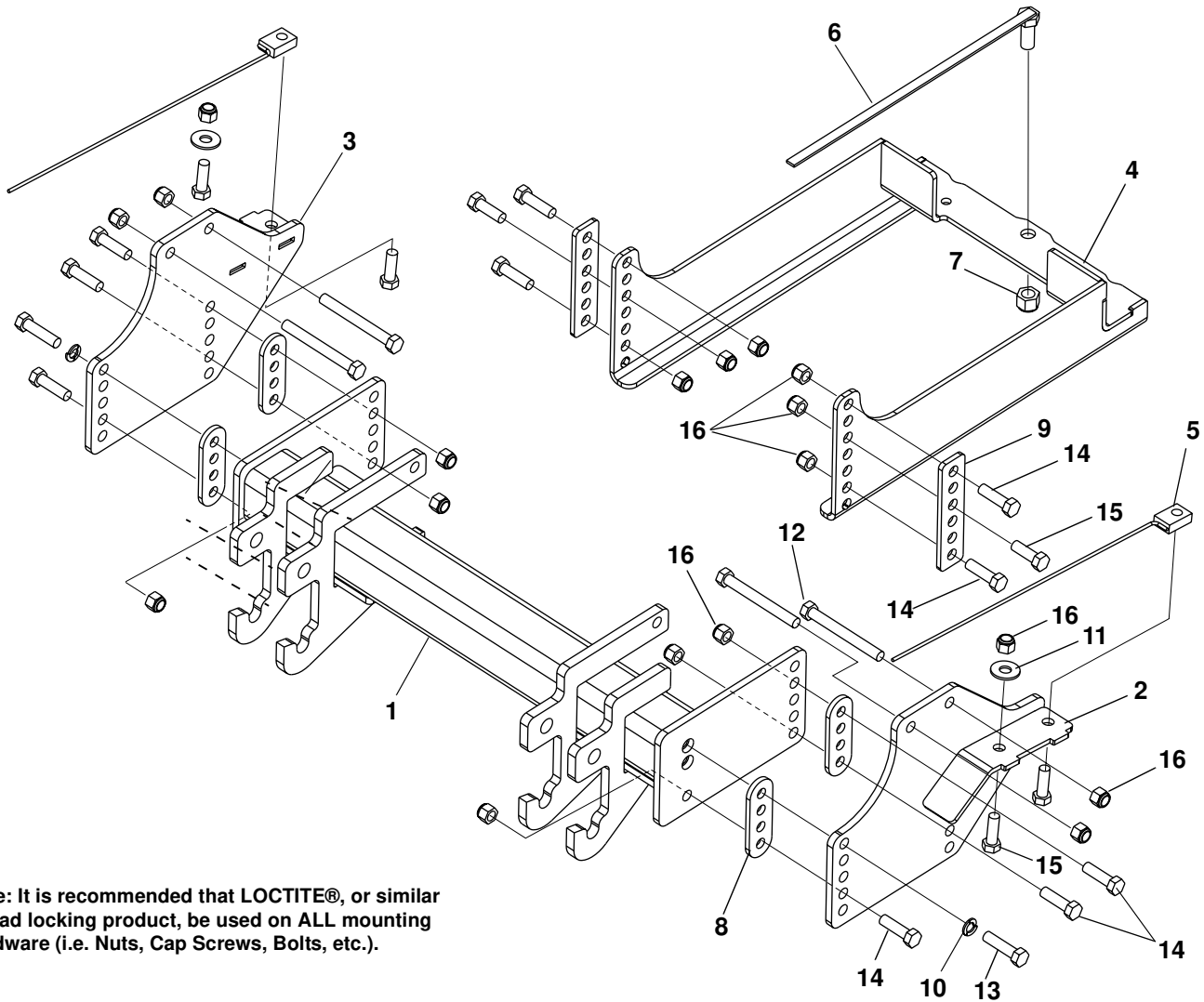
13. Using the Torque Specification Chart below, torque all bumper bolts.

TORQUE SPECIFICATIONS FOR STANDARD MACHINE HARDWARE					
Bolt Size	GR.2 Dry	GR.5 Dry	GR.8 Dry	Metric Size	GR.8.8 Dry
1/4"	66*	9	12	M8	17
5/16"	11	17	25	M10	35
3/8"	20	30	45	M12	60
7/16"	32	50	70	M14	95
1/2"	50	75	110	M16	155
9/16"	70	110	150		
5/8"	100	150	220		
3/4"	175	260	380		
7/8"	170	430	600		
1"	250	640	900		

Note: These torque values are to be used for all hardware. Unless otherwise specified, all torque values must meet this specification.  
 Note: All torque values are in Ft.-Lbs unless otherwise stated  
 Note: \*In-Lbs

**REMEMBER After 5 to 10 hours of snowplow usage, re-torque all Cap Screws!**

# PARTS LIST



Note: It is recommended that LOCTITE®, or similar thread locking product, be used on ALL mounting hardware (i.e. Nuts, Cap Screws, Bolts, etc.).

ITEM	PART NO.	DESCRIPTION	QTY.
1	99100892	Vehicle Center Member .....	1
2		Weldment, Front Mounting, DS .....	1
3		Weldment, Front Mounting, PS .....	1
4		Weldment, Cross Member .....	1
5		Weldment, Wire Nut Plate .....	2
6		Handle Bolt Weldment, 5/8"-11 x 1-1/2" .....	1
7		LN, 5/8"-11 .....	1
8		Plate, Spacer, VCM, 1/4" .....	4
9		Plate, Spacer .....	2
10		LW, 1/2" .....	2
11		PW, 1/2" .....	2
12		HHCS, 1/2"-13 x 4-1/2" .....	4
13		HHCS, 1/2"-13 x 2" .....	2
14		HHCS, 1/2"-13 x 1-3/4" .....	10
15		HHCS, 1/2"-13 x 1-1/2" .....	6
16		LN, 1/2"-13 .....	18
17	96117253	Kit, HDWE (Includes Items 5-16) (Not Shown) .....	1

# NOTES

---

**SNO-WAY® INTERNATIONAL, INC.**



Hartford, WI 53027 USA  
Website: [www.snoway.com](http://www.snoway.com)  
©2019 Sno-Way® International

[www.storksplows.com](http://www.storksplows.com)