



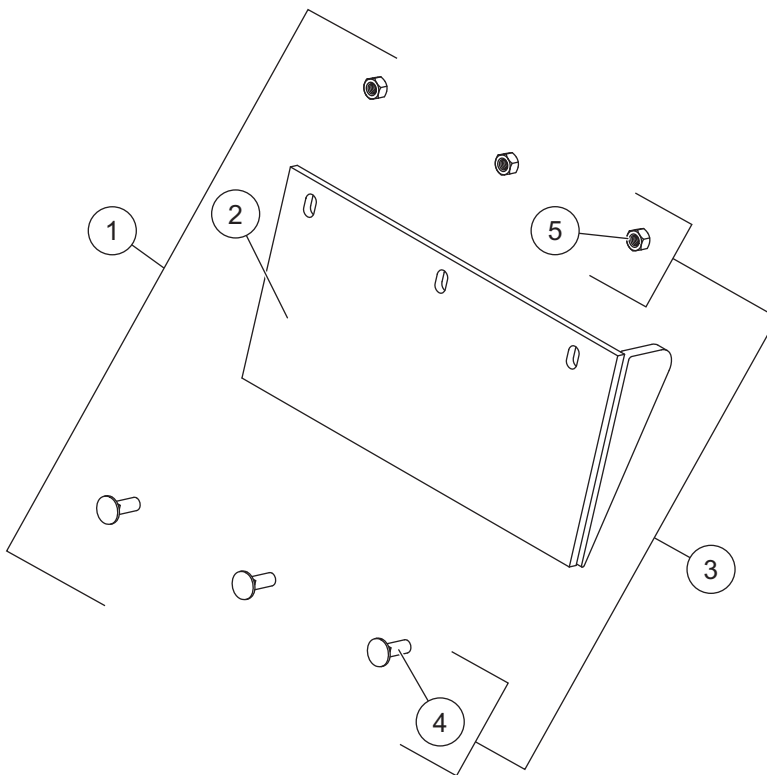
Western Products
PO Box 245038
Milwaukee, WI 53224-9538
www.westernplows.com

dd A DIVISION OF DOUGLAS DYNAMICS, LLC

57865 – WIDE-OUT™ Steel Wing Cutting Edges Kit

81141 – WIDE-OUT™ XL Steel Wing Cutting Edges Kit
Parts List & Installation Instructions

PARTS LIST



57865 WIDE-OUT Steel Wing Cutting Edges Kit							
Item	Part	Qty	Description	Item	Part	Qty	Description
1	11007	1	Steel Wing Edge Kit, WO – DS	ns		1	Steel Wing Edge, WO – PS
ns	11008	1	Steel Wing Edge Kit, WO – PS	3	11010	1	Bolt Bag
2		1	Steel Wing Edge, WO – DS				
81141 WIDE-OUT XL Steel Wing Cutting Edges Kit							
Item	Part	Qty	Description	Item	Part	Qty	Description
1	95060	1	Steel Wing Edge Kit, WO XL – DS	ns		1	Steel Wing Edge, WO XL – PS
ns	95061	1	Steel Wing Edge Kit, WO XL – PS	3	11010	1	Bolt Bag
2		1	Steel Wing Edge, WO XL – DS				
Item 3				11010 Bolt Bag			
4		6	1/2-13 x 1-1/4 Carriage Bolt G8	5		6	1/2-13 Hex Locknut GB
ns = not shown				G = Grade			

57865, 81141 WIDE-OUT™ & WIDE-OUT™ XL STEEL WING CUTTING EDGE KITS

INSTALLATION INSTRUCTIONS

⚠ WARNING

Do not exceed GVWR or GAWR, including blade and ballast. The rating label is found on the driver-side vehicle door cornerpost.

⚠ WARNING

Blade can drop unexpectedly. Place quadrant on jack stands. Failure to do so could result in serious injury.

⚠ CAUTION

Read this document before installing the WIDE-OUT steel wing cutting edges kit.

⚠ CAUTION

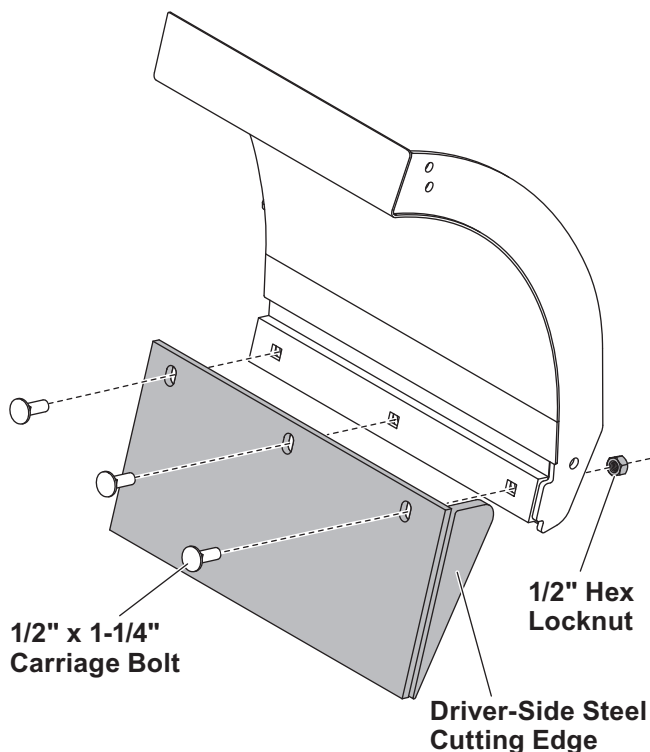
Use standard methods and practices when attaching snowplow and installing accessories, including proper personal protective safety equipment.

⚠ CAUTION

See your WESTERN® outlet/website for specific vehicle application recommendations before installation. The Quick Match selection system has specific vehicle and snowplow requirements.

1. Park the vehicle on a smooth, level, hard surface, such as concrete. Raise the blade, and turn the control to the "OFF" position. From the side of the blade assembly, place a jack stand under the quadrant.
2. Turn the control to the "ON" position and lower the blade onto the jack stands. Turn the control OFF and vehicle ignition to the "OFF" position.

3. Remove and discard the original carriage bolts and locknuts that secure the cutting edge to the driver-side wing. Remove the original cutting edge.
4. Position the steel cutting edge in front of the blade as shown. Secure the cutting edge to the blade with the 1/2" x 1-1/4" carriage bolts and 1/2" locknuts from the bolt bag.



5. Torque fasteners to 115 ft-lb.
6. Repeat Steps 3–5 on the passenger's side.
7. Turn the vehicle ignition and the control to the "ON" position. Raise the blade slightly from the jack stands. Turn the control to the "OFF" position and remove the jack stands.
8. Stand 8' clear of the blade and lower the blade to the ground.

Copyright © 2018 Douglas Dynamics, LLC. All rights reserved. This material may not be reproduced or copied, in whole or in part, in any printed, mechanical, electronic, film, or other distribution and storage media, without the written consent of Western Products. Authorization to photocopy items for internal or personal use by Western Products outlets or snowplow owner is granted.

Western Products reserves the right under its product improvement policy to change construction or design details and furnish equipment when so altered without reference to illustrations or specifications used. Western Products or the vehicle manufacturer may require or recommend optional equipment for snow removal. Do not exceed vehicle ratings with a snowplow. Western Products offers a limited warranty for all snowplows and accessories. See separately printed page for this important information. The following are registered (®) or unregistered (™) trademarks of Douglas Dynamics, LLC: UltraMount® 2, WESTERN®, WIDE-OUT™.

Printed in U.S.A.