



WESTERN PRODUCTS
 7777 NORTH 73RD STREET
 P.O. BOX 23045
 MILWAUKEE, WISCONSIN 53223

Box No. 60585
 Model No. 900
 Dodge Dakota 4x4
 Lift-Mount 1987 & Later

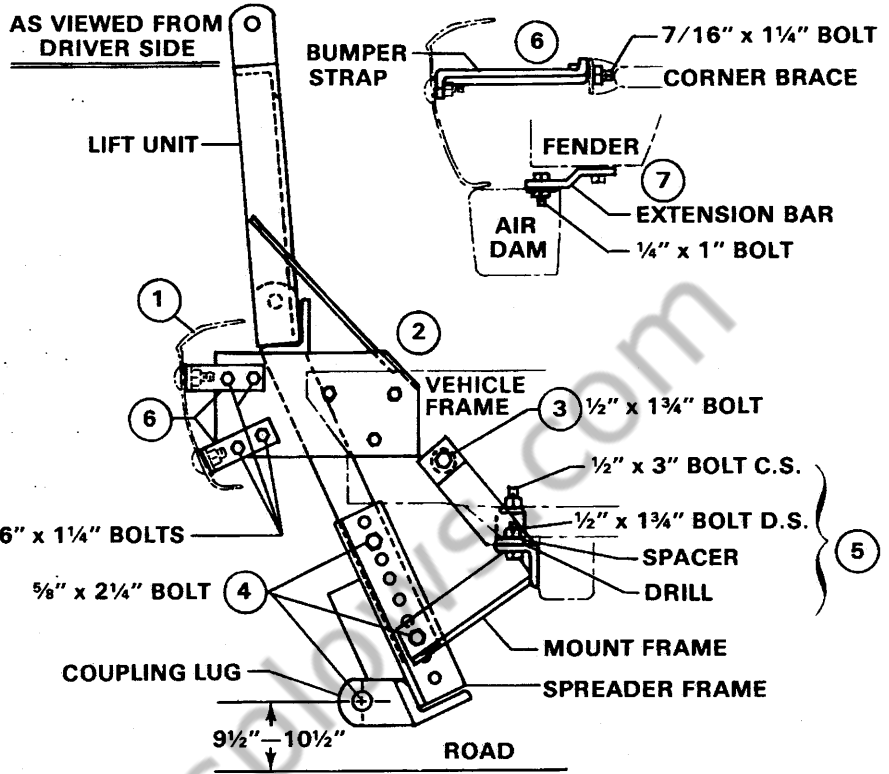
INSTALLATION INSTRUCTIONS

RECOMMENDED FASTENER TORQUE CHART				
SIZE	TORQUE IN FOOT POUNDS			
	GRADE 2	GRADE 5	GRADE 8	
1/4 - 20	6	9	13	
5/16 - 18	11	18	28	
3/8 - 16	19	31	48	
3/8 - 24	24	46	68	
7/16 - 14	30	50	75	
1/2 - 13	45	75	115	
9/16 - 12	66	110	165	
5/8 - 11	93	150	225	
3/4 - 10	150	250	370	
7/8 - 9	202	378	591	
1 - 8	300	583	893	

METRIC GRADE 8.8 TORQUE IN FOOT POUNDS			
SIZE	TORQUE	SIZE	TORQUE
M 6	7	M12	60
M 8	17	M14	95
M10	35	M16	155

These torque values apply to lift-mount fasteners except those noted in the instructions where motion is desired.

MINIMUM VEHICLE RECOMMENDATIONS	
Aux. Light Kit	— Import
H.D. Alternator	
H.D. Battery	
H.D. Suspension	
REAR BALLAST	— 300 to 500 lbs. when blade is attached. WEIGHTS MUST BE SECURED.



IMPORTANT: Read instructions before assembling. Bolts should be finger tight until the installation is completed to allow sufficient adjustment for aligning holes and locating parts to vehicle frame. Preventive maintenance can prevent accidents. Regularly inspect all components and repair or replace any worn, loose or damaged parts immediately. Remember to use standard methods and practices when attaching snowplow including wearing safety glasses during drilling.

Install snowplow as follows:

LIFT-MOUNT ASSEMBLY

1. Remove fasteners from ends of air dam at fenders. Leaving corner braces attached to vehicle, remove bumper with brackets from vehicle, and brackets from bumper. Retain bumper brackets for installation when Lift-Mount is removed.
2. Install Lift-Mount to bumper bracket holes in frame horns. Use existing fasteners.
3. **IMPORTANT:** Transmission cooler lines must be supported or protected so they do not contact mount frame cross angle. Attach mount frame unit to existing holes in vehicle frame using furnished 1/2" x 1 3/4" bolt with flat washer to frame and locknut.
4. Assemble spreader frame and mount frame units to Lift-Mount keeping center of coupling lugs between 9 1/2" to 10 1/2" from road as illustrated using furnished 5/8" x 2 1/4" bolts and locknuts.
5. Using mount frame unit as a guide, drill two (2) 1/2" holes thru vehicle frame. On drivers side, insert spacer and secure to frame using furnished 1/2" x 1 3/4" bolt with flat washer and locknut to frame and 1/2" x 3" bolt with flat washer and locknut to frame on curb side.

TIGHTEN ALL BOLTS TO CORRESPONDING TORQUE VALUES NOTED IN FASTENER TORQUE CHARTS.

6. Assemble two hole bumper bracket leg to outside of Lift-Mount side plate with slotted hole leg towards center of vehicle. Secure top bracket parallel to top of side plate with furnished 7/16" x 1/4" bolts and locknut. Loosely attach lower bracket. Install and secure bumper using existing fasteners. Tighten lower bracket fasteners. Attach bumper straps (See Inset) to corner of bumper with existing fasteners. Loosen corner braces at vehicle frame, rotate brace and attach bumper strap with furnished 7/16" x 1/4" bolt, two (2) flat washers and locknut.
7. Attach extension bar to air dam with furnished 1/4" x 1" bolt, flat washer to air dam and locknut. Fasten other end to fender with existing fastener removed from end of air dam.
8. After completion of plow installation, the torsion bar suspension may require adjustment. Adjust vehicle trim height per instructions on Page 3.

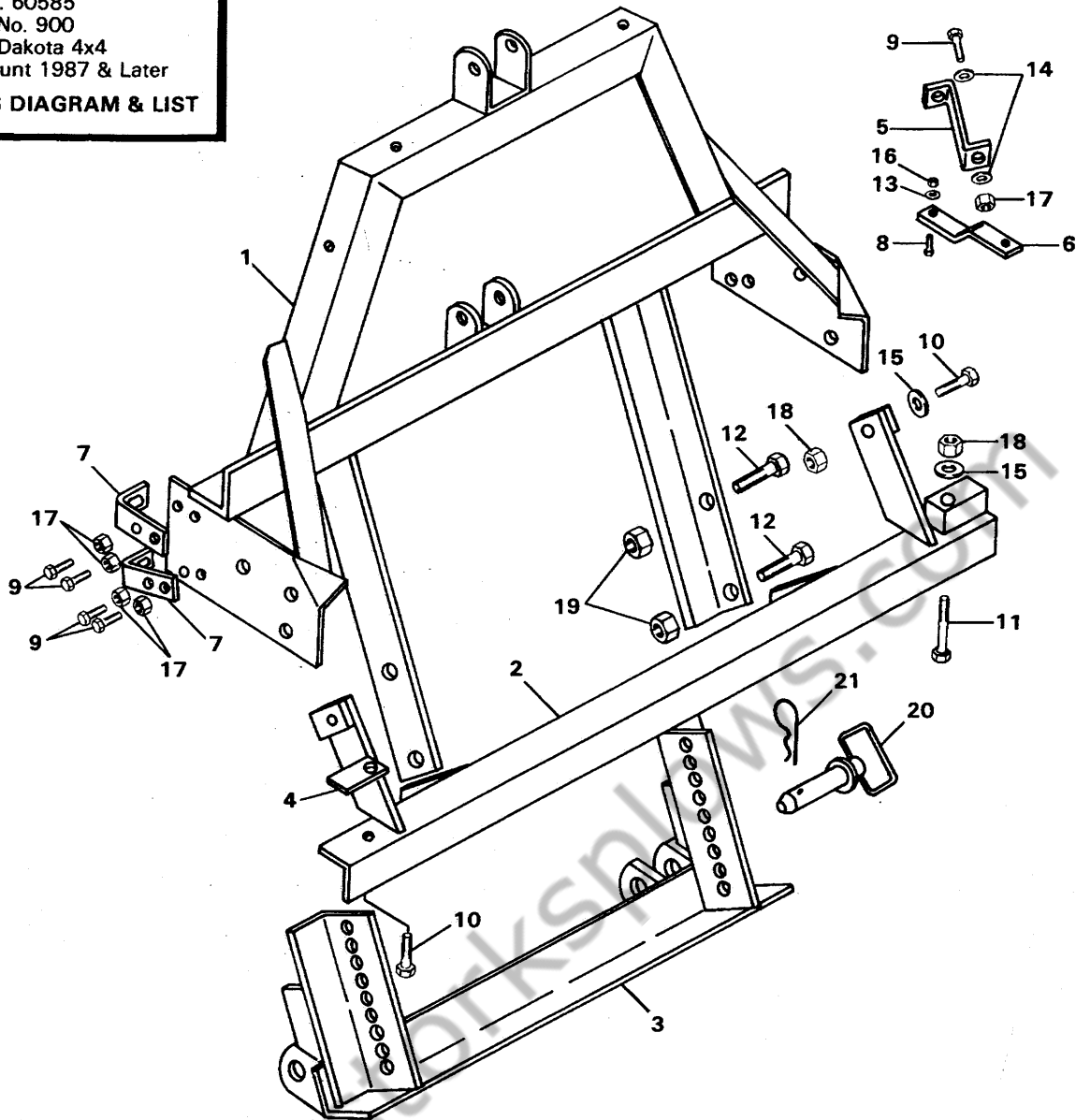
LIGHT KIT ASSEMBLY — Use Box No. 60740 Headlamp Kit — 4 Wire and Box No. 60775 Harness Bracket Kit — 2E.

CAUTION: To prevent damage to gas lines, brake lines, gas tank vapor lines or wiring during installation, move and replace as necessary.

NOTE: Assemble and install balance of snowplow per instructions furnished with each respective assembly.

Box No. 60585
 Model No. 900
 Dodge Dakota 4x4
 Lift-Mount 1987 & Later

PARTS DIAGRAM & LIST



13427-8612

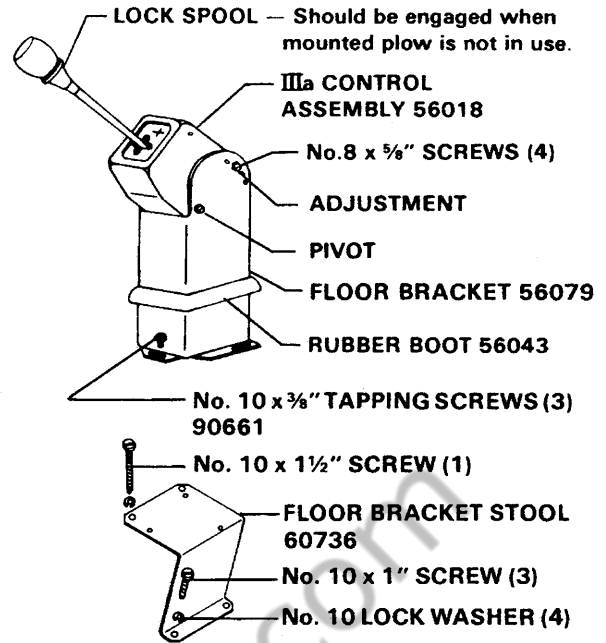
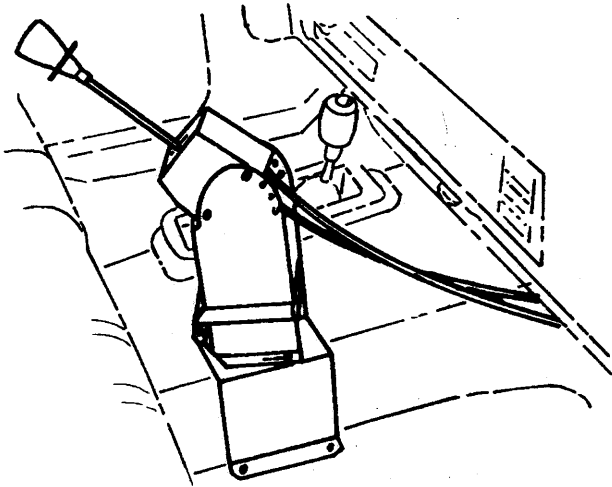
13428-8802

Item	Part No.	Quantity	Description
1	60710	1	Lift-Mount Unit
2	60723	1	Mount Frame Unit
3	59925	1	Spreader Frame Unit
4	60731	1	Spacer
5	60732	2	Bumper Strap
6	60733	2	Extension Bar
7	60719	4	Bumper Brackets
8		2	Capscrew — 1/4"-20 x 1" Long
9	90066	10	Capscrew — 7/16"-14 x 1-1/4" Long — Grade 5
10	90101	3	Capscrew — 1/2"-13 x 1-3/4" Long — Grade 5
11	90105	1	Capscrew — 1/2"-13 x 3" Long — Grade 5
12	90130	4	Capscrew — 5/8"-11 x 2-1/4" Long — Grade 5
13		2	Flat Washer — 1/4"
14		4	Flat Washer — 7/16"
15		4	Flat Washer — 1/2"
16	91331	2	Locknut — 1/4"-20 — Nylon Insert Type
17	91334	10	Locknut — 7/16"-14 — Nylon Insert Type
18	91335	4	Locknut — 1/2"-13 — Nylon Insert Type
19	91337	4	Locknut — 5/8"-11 — Nylon Insert Type
20	93028	2	Hitch Pin — 1" x 3-1/2" Long
21	91965	2	Hairpin Cotter — 5/32" x 2-15/16" O/A Length

NOTE: Only those items indicated with a **PART NUMBER** are available for service.

INSTALLATION INSTRUCTIONS

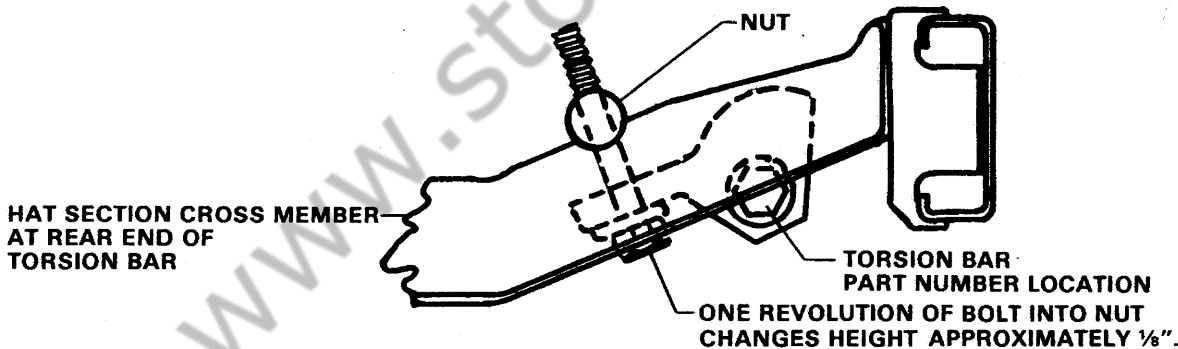
For —IIIaControl and Floor Bracket



1. Temporarily assemble Floor Bracket to Floor Bracket Stool using three (3) No. 10 x 3/8" long hex head tapping screws. Position assembly on the passenger side of tunnel in a convenient position for the driver (allow room for glove compartment door to open). Mark location of the four (4) mounting holes in Floor Bracket Stool. Check under hole locations for wires or other interference before drilling two (2) 9/64" diameter holes into the floor and two (2) 9/64" diameter holes into tunnel.
2. Disassemble Floor Bracket and Floor Bracket Stool. Install Stool using three (3) No. 10 x 1" and one (1) No. 10 x 1 1/2" sheet metal screws and lock washers. Install 1 1/2" screw in rear hole on top of tunnel.
3. Loosely assemble Floor Bracket to Floor Bracket Stool. Slide rubber boot over top of Floor Bracket.
4. Pass control cables through holes drilled in fire wall per hydraulic system instructions. Assemble IIIa Control into Floor Bracket in desired position and secure with four (4) No. 8 x 5/8" long hex head screws.
5. Rotate IIIa Control and Floor Bracket to desired position and tighten mounting screws. Slide rubber boot down to cover attaching flange screws.

13429-8612

VEHICLE TRIM HEIGHT ADJUSTMENT PROCEDURE



HEAVY DUTY TORSION BARS ARE REQUIRED FOR SNOWPLOW APPLICATIONS.

Standard torsion bars, Dodge P/N's 4322510 (RH) and 4322511 (LH), have a 1450 lb. payload rating and **MUST** be replaced with **HEAVY DUTY** torsion bars 4322516 (RH) and 4322517 (LH). Heavy duty torsion bars are standard on vehicles with 2000 lb. payload rating. Part numbers are stamped into the adjuster end of the bars.

After the snowplow installation is completed, heavy duty torsion bars may be cranked up to maintain the 9 1/2" to 10 1/2" road to coupling height dimension noted in the installation diagram, Page 1 of these instructions.

With vehicle on a level surface and blade attached to vehicle and resting on road, check coupling lug height by measuring from the center of the coupling lug hole to the road surface. Correction of coupling lug height is obtained by adjusting the torsion bar. To adjust, locate torsion bar adjusting bolts at the rear end of the torsion bar within the hat section of the transmission/transfer case rear cross member. Turn bolts clockwise to raise coupling lug height; counter clockwise to lower. Alternate driver to curb side adjustment for uniform height change. One turn of bolt changes height approximately 1/8". After each series of adjustments, bounce vehicle three (3) times to flex suspension prior to measuring.

CAUTION: Front end alignment should be checked if more than two (2) turns are required for height change.

13430-8612

**INSTALLATION INSTRUCTIONS
FOR 59700 BLADE GUIDE ASSEMBLY**

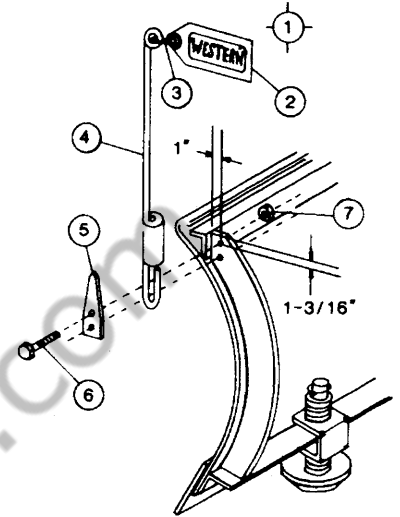
The following instructions simply outline the attachment of this blade guide assembly.

- Step 1. Lower blade to ground level.
- Step 2. If hole is not pre-drilled, drill one 11/32" hole, 1-3/16" down and 1" out on the outside rib of the blade. See diagram below.
- Step 3. Insert pointed end of clamp into coil of guide. Attach guide to rib using top hole of clamp. Secure assembly using supplied 5/16" x 1" bolt and locknut. Tighten until guide will stand alone perpendicular to road surface.
- Step 4. If hole is not pre-drilled, use lower hole of clamp as locator, drill bottom hole 11/32"
- Step 5. Bolt lower hole in place. Finish securing top bolt.
- Step 6. Attach other side following above steps.

Pictorial view supplied below. Remember to use standard methods and practices in attaching blade guides including wearing safety glasses during drilling.

**PARTS LIST
59700 — BLADE GUIDE ASSEMBLY**

Item	Part No	Quan.	Description
1	59697	2	Blade Guide Rod, S-Hook & Flag
2	59694	1	Flag
3	59696	1	S-Hook
4	59691	1	Blade Guide Rod
5	59946	2	Clamp
6		4	Capscrew — 5/16"-18 x 1" Gr.2
7		4	Locknut - 5/16"-18 Nylon Insert



13009-7911

The following are registered® or unregistered™ Trade Marks of Douglas Dynamics, Inc.

WESTERN® ISARMATIC® Hydra-Turn® Roll-Action™

Western reserves the right under its Product Improvement Policy to change construction or design details and furnish equipment when so altered without reference to illustrations or specifications used herein.

Printed in U.S.A.