



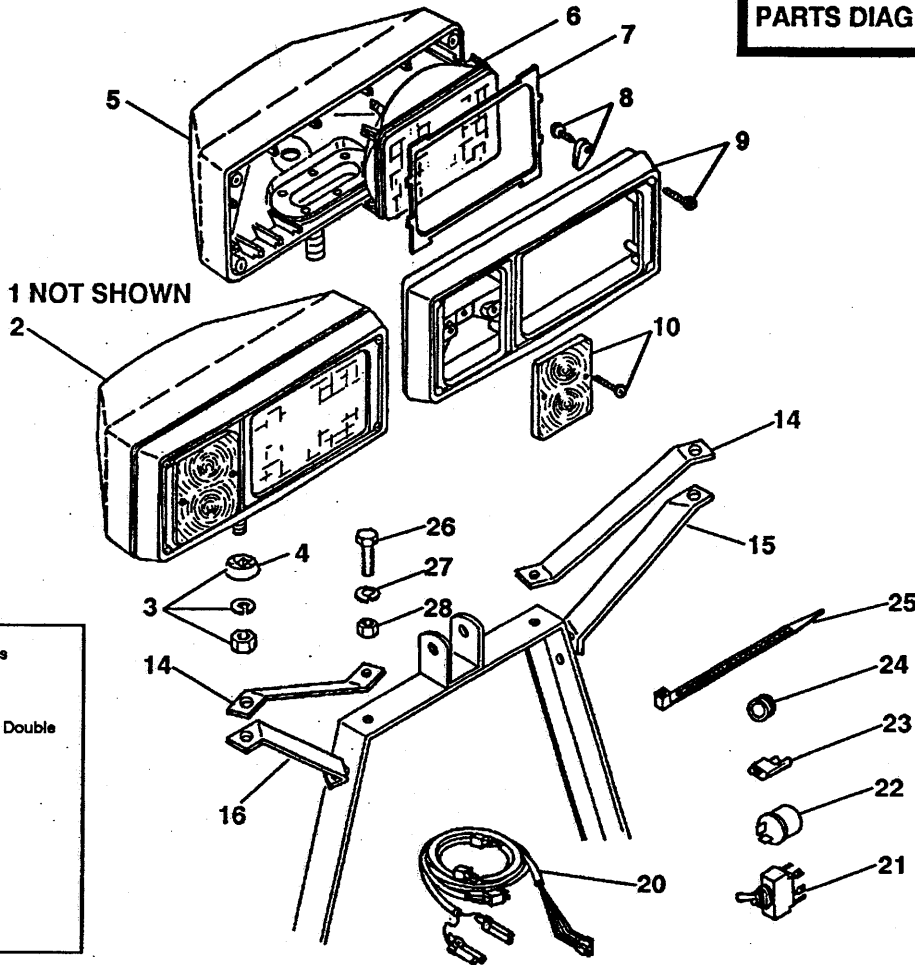
WESTERN PRODUCTS  
7777 NORTH 73RD STREET  
P.O. BOX 23045  
MILWAUKEE, WISCONSIN 53223

**DD** A DIVISION OF DOUGLAS DYNAMICS, INC.

Harness Bracket Kit  
4 WIRE  
Use with 60740  
Headlamp Kit - 4 Wire

May 28, 1993

**PARTS DIAGRAM & LIST**



Abbreviations	
ASSY	Assembly
CS	Capacrew
CU	Curb Side
DPDT	Double Pole Double Throw
DR	Driver Side
EA	Each
G	Grade
HD	Heavy Duty
HX	Hex
LK	Lock
SP	Spring
W/	With
W/O	Without
ZP	Zinc Plate

ITEM	PART NO.	QTY.	DESCRIPTION
1	60741	1	HEADLAMP - RECT 4WIRE 2E DR
2	60742	1	HEADLAMP - RECT 4WIRE 2E CU
3	49151	2	SWIVEL AND HARDWARE ASSY
4	49012	2	HEADLAMP SWIVEL
5	49298	1	HEADLAMP HOUSING ASSY (Fits DR or CU side)
6	49297	1	REPLACEMENT SEALED BEAM (2E1)
7	49210	1	HEADLAMP GASKETS (1 PAIR)
8	49201	2	RETAINING FINGER & FASTENER (4 EA)
9	49203	2	BEZEL W/FASTENERS (DR OR CU SIDE)
10	49202	2	PARK/TURN LENS W/FASTENERS
NOTE: Refer to Lift Mount Box Parts List for any Special Bracket Requirements.			
14	59349	2	LIGHT BRACKET BAR
15	60005	1	LIGHT BRACKET BAR DR
16	60006	1	LIGHT BRACKET BAR CU
NOTE: Match Harness to Vehicle Headlamp Type.			
20	59805	1	PLUG-IN HARNESS 2B/2D
	60584	1	PLUG-IN HARNESS 2B/2D LONG
	49057	1	PLUG-IN HARNESS 1A & 2A

ITEM	PART NO.	QTY.	DESCRIPTION
	60586	1	PLUG-IN HARNESS 9004 HB1
	60702	1	PLUG-IN HARNESS 2E
	60696	1	PLUG-IN HARNESS LF & UF
	61314	1	PLUG-IN HARNESS HB3 & HB4
	61791	1	PLUG-IN HARNESS HB5
21	53845	1	TOGGLE SWITCH DPDT
22	60109	1	FLASHER HD
23	59224	4	BULLET RECEPTACLE CONNECTOR
24	25301	1	RUBBER GROMMET
25	59223	6	CABLE TIE
26	90040	4	3/8-16X1-1/4 HX CS G5 ZP
27	91203	4	3/8 SP LK WASHER ZP
28	91413	4	3/8-16 HX NUT ZP

NOT SHOWN			
59038	1	LABEL - INFORMATION (Switch Label)	
	2	Park/Turn Signal Bulb - (Trade Number 1157)	

Parts listed above may be found in one of the following:

60748	1	PARTS BAG (4 WIRE w/Flasher)
60791	1	PARTS BAG (4 WIRE w/o Flasher)

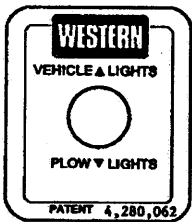
NOTE: Only those items listed with a PART NUMBER are available for service.

Harness Bracket Kit  
**4 WIRE**  
 Use with 60740  
 Headlamp Kit - 4 Wire

**WIRING DIAGRAM**

**WITH PLUG-IN LIGHT HARNESS**

**DO NOT CUT INTO VEHICLE HEADLAMP WIRING**



**CHECK YOUR LOCAL REGULATIONS FOR COMPLIANCE IN YOUR AREA.**

**AFFIX OVER SWITCH TOGGLE ON INSTRUMENT PANEL**

**HIGH BEAM WIRE GROUP**

WHITE  
 GREEN  
 RED

TOGGLE SWITCH

**2E INSTALLATION**

AUXILIARY HARNESS  
 BLUE WIRE

EXISTING HEADLAMP CONNECTOR - SIDE OPPOSITE SELECTOR SWITCH

AUXILIARY HARNESS

WHITE

BLACK

BLACK  
 YELLOW  
 ORANGE

**LOW BEAM WIRE GROUP**

VEHICLE WIRE HARNESS

EXISTING HEADLAMP CONNECTOR SELECTOR SWITCH SIDE

RIGHT TURN

RED

BROWN

AUXILIARY HARNESS MALE CONNECTOR OR 2E - 3 LOOSE WIRES

PARKING

RED

LEFT TURN

BROWN

BULLET RECEPTACLE CONNECTOR (BLACK)

PARKING

SELECTOR SWITCH SIDE VEHICLE CONNECTOR



FLASHER - IF REQUIRED (See Instructions)

YELLOW  
 GREEN  
 BLUE

**2E INSTALLATION**

Harness Bracket Kit  
4 WIRE  
Use with 60740  
Headlamp Kit – 4 Wire

## INSTALLATION INSTRUCTIONS

This Harness/Bracket Kit, when used with a 60740 Headlamp Kit, includes plug-in wiring harness, connectors and switch to simplify installation and provide performance equal to existing vehicle system. Always check to be certain the vehicle lights work properly before beginning the installation.

1. Assemble light brackets to lift frame as shown on parts diagram.
2. Assemble headlamps to brackets with headlamp swivel above brackets and loosely secured with lock washer and nut. Pass leads thru grille. Secure leads to brackets with cable ties.
3. Identify park and turn lamp wires on both sides of vehicle.

**CAUTION:** Before proceeding, disconnect battery ground cable to avoid possible electrical equipment damage, electrical fire or personal injury.

Attach a black self stripping bullet receptacle connector to each wire. Route auxiliary headlamp red and brown wires to receptacles. Insert **RED** wire bullets into **TURN** wire receptacles and **BROWN** wire bullets into **PARK** wire receptacles.

4. Switch location: To driver's side of dash or to Illa Control Floor Bracket if furnished with Lift/Mount. Dash installations: **CHECK** for adequate clearance behind dash for switch and wires, and drill 15/32 hole. Drill 1/2" hole thru the firewall near switch location.
5. In engine compartment, insert end of Plug-In Harness with 6 loose wires thru firewall hole drilled in Step 4. Route male connector (2E Harness P.N. 60702 - 3 wires with male blade terminals) to headlamp on same side of vehicle as switch. Route opposite side headlamp connector along radiator bulkhead or over radiator shroud. Bring auxiliary harness and auxiliary headlamp black and white wire connectors to a common location behind the grille. **MATCHING** wire colors, black to black and white to white, insert headlamp wire bullets into harness receptacles.
6. Vehicle Headlamp Connections:

**Switch Side of Vehicle** – Remove existing connector(s) from headlamp(s) and couple to matching auxiliary harness male connector(s) (2E Harness P.N. 60702 - insert three male blade terminals of auxiliary harness into vehicle headlamp connector as shown in diagram, Page 2. 1988 and later Chevrolet/GMC with quad headlamps, see Page 4 of these instructions). Couple auxiliary harness headlamp connector(s) to headlamp(s).

**Side Opposite Switch Location** – Remove existing connector(s) from headlamp(s). Couple auxiliary harness headlamp connector(s) to headlamp(s). (2E Harness P.N. 60702 - Insert blue wire male blade terminal of auxiliary harness into vehicle headlamp connector as shown in diagram.)

**Both Sides** – Secure any **VEHICLE** harness headlamp connectors not connected to auxiliary harness with cable ties to prevent electrical grounding. **CAUTION:** Always protect wires to prevent electrical short circuits or fires.

7. Connect the six loose wire terminals of the auxiliary harness to switch as shown in wiring diagram, Page 2. Install Switch in a vertical position. Affix Switch Label over switch.
8. Cut Grommet, place it around harness and insert into firewall hole drilled in Step 4. **CAUTION:** Always protect wires to prevent electrical short circuits or fires.

Unless noted in Lift-Mount Installation Instructions, replace the vehicle flasher with flasher furnished in this kit.

**FINAL CHECK:** When electrical circuits are completed, reconnect the vehicle battery. Check the operation of all vehicle lights. The vehicle and auxiliary headlamps are controlled by the selector switch. The park/turn lamps operate with vehicle lights. **Place selector switch in PLOW position and with plow in RAISED position, aim auxiliary headlamps in accordance with SAE J599 Lighting Inspection Code (See Service Bulletin SP 608) and any federal, state, or local regulations that apply.**

Finally, secure harness and wires with cable ties so they do not interfere with hot or moving parts in engine compartment.

**CAUTION:** Auxiliary lights provide added safety and are a NHTSA requirement. **BEFORE TRAVELING POSITION BLADE SO IT DOES NOT BLOCK HEADLAMP BEAM. DO NOT CHANGE BLADE POSITION WHILE TRAVELING.**

Harness Bracket Kit  
4 WIRE  
Use with 60740  
Headlamp Kit - 4 Wire

### SUPPLEMENTAL INSTRUCTIONS

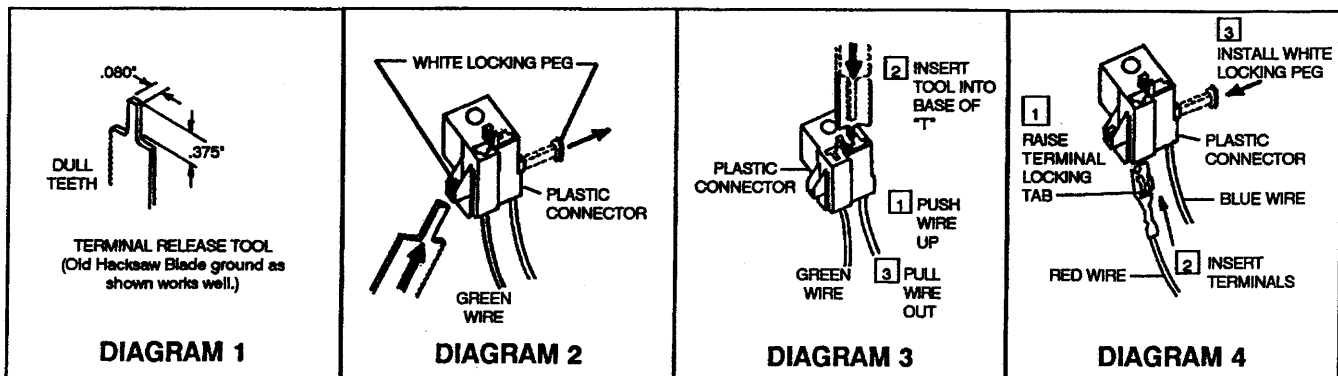
## CHEVROLET/GMC 1990 & LATER with HB3 & HB4 REPLACEABLE BULB HEADLAMPS

Access headlamp bulb connections in step 6 of page 3 instructions by removing park/turn lamp housings. Pull down on connectors to remove.

## CHEVROLET/GMC 1988 & 1989 with LF & UF HEADLAMPS

THESE INSTRUCTIONS REPLACE FIRST TWO PARTS OF STEP 6 ON PAGE 3.

1. Remove all four (4) bezels and headlamps from vehicle. Look at terminals on headlamps to identify inline (UF) and offset (LF) terminal alignments.
2. OUTER HEADLAMP OPENINGS ON VEHICLE - BOTH SIDES: Tuck existing connectors behind headlamp holders.
3. INNER HEADLAMP OPENING ON VEHICLE - CURB SIDE: Tuck existing connector behind upper right corner of headlamp holder.
4. INNER HEADLAMP OPENING ON VEHICLE - DRIVER SIDE:
  - A. Use Terminal Release Tool pictured in Diagram No. 1 below to release white locking peg from plastic connector as illustrated (See Diagram No. 2).
  - B. See Diagram No. 3 and follow steps 1, 2 & 3. Repeat on second wire.
  - C. With plastic connector removed, pull the wires into the engine compartment (engine side of Radiator bulkhead). Per Diagram No. 4, raise terminal locking tabs and reinstall wire terminals into plastic connector noting position of green wire (See Diagram No. 3). Reinstall white locking peg. (If locking peg was damaged during removal, tape in place.)
5. Remove the two inline connectors pictured below from auxiliary harness using steps 4A and 4B above.
6. Route auxiliary harness in engine compartment per Light Kit instructions.
7. Driver Side of Vehicle - Matching existing headlamp connectors and auxiliary harness male connectors, inline to inline and offset to offset, install male connectors into vehicle headlamp connectors.
8. Both Sides of Vehicle - Outer Headlamp Openings - Route auxiliary harness offset terminal connectors to outer headlamp openings.
9. Both side of Vehicle - Inner Headlamp Openings - Route auxiliary harness loose wires into inner headlamp opening. Pull wires thru opening and reinstall plastic connectors per Diagram No. 4. Reinstall white locking peg in each connector. (If locking peg was damaged during removal, tape in place.)
10. Reinstall headlamps and bezels (Headlamps marked with LF are on outside and UF are on inside).
11. Return to part 3 of Step 6 on page 3 and complete remainder of installation instructions.



The following are registered® and unregistered™ Trade Marks of Douglas Dynamics, Inc.  
WESTERN® ISARMATIC® Hydra-Turn® UniMount® Roll-Action™ PRO-GUARD™

Western reserves the right under its Product Improvement Policy to change construction details and furnish equipment when so altered without reference to illustrations or specifications used herein.