



**Fisher Engineering**

P.O. Box 529 Rockland, Maine 04841

October 15, 2005  
Lit. No. 21849, Rev. 03

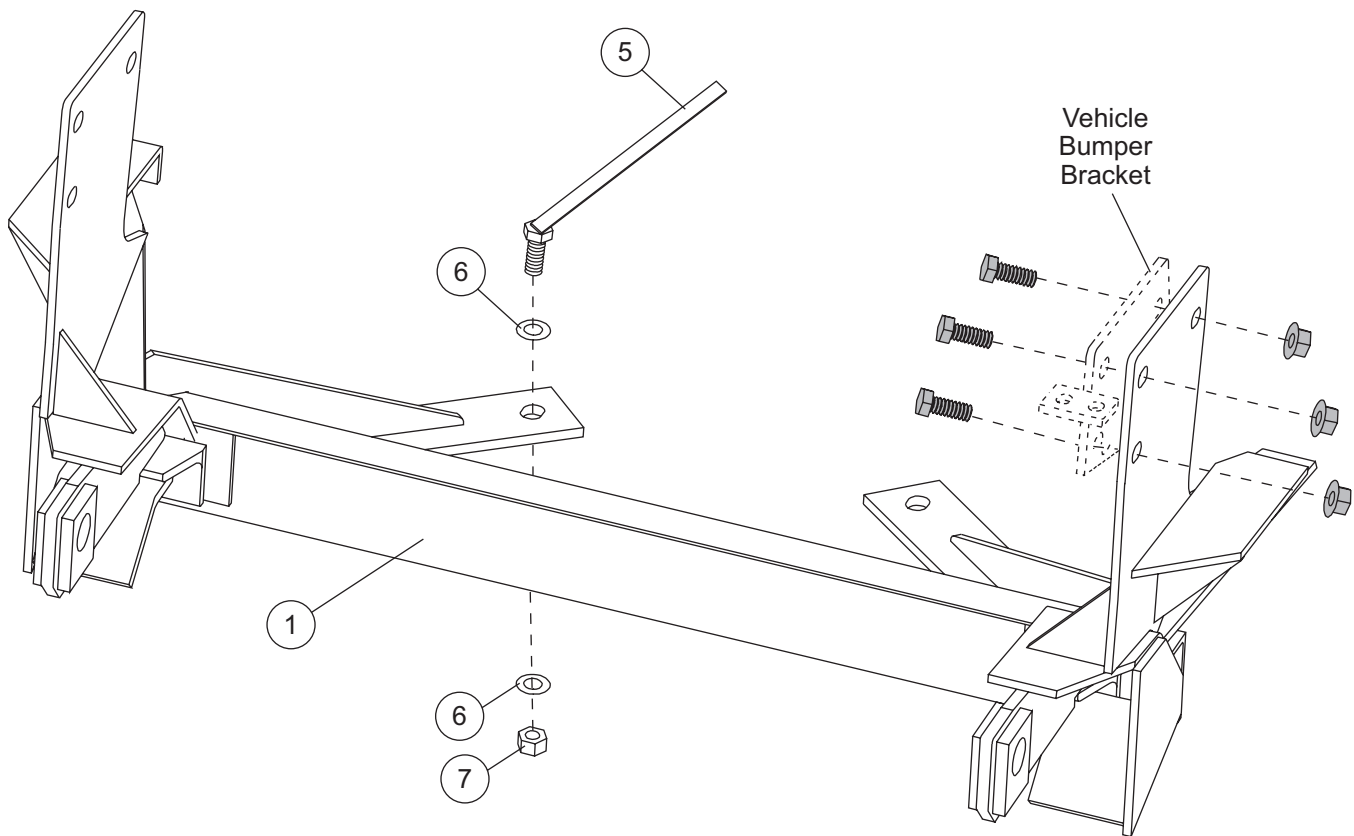
# Minute<sup>2</sup> SYSTEM

## MOUNT KIT

**Dodge Dakota**

**1997 - 99**

### Parts List

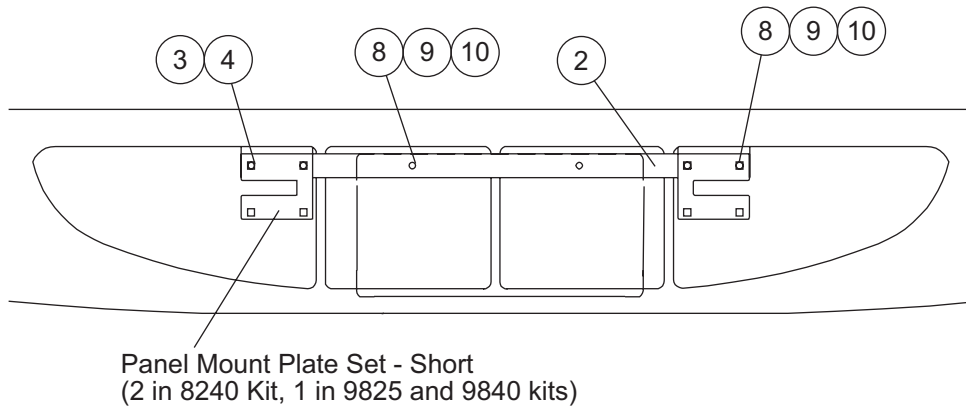


Shaded parts are original vehicle fasteners.

# 7155

7155 Mount Kit							
Item	Part	Qty	Description	Item	Part	Qty	Description
1	21796	1	Pushplate Assembly	4	21875	2	Backing Plate
2	21877	1	License Plate Bracket	ns	21844	1	Bolt Bag – 7155
3	21845	2	Grille Plug Bracket				
21844 Bolt Bag – 7155							
5	21590	2	1/2-13 x 1-1/2 Hex Cap Screw G5 with Handle	8	91411	14	1/4-20 Hex Nut G5
6	90572	4	1/2 Hardened Flat Washer	9	91201	14	1/4 Spring Lock Washer
7	90355	2	1/2-13 Hex Locknut GB	10	90461	14	1/4-20 x 3/4 Hex Cap Screw G5
			ns = not shown				G = grade

## Grille Bracket/License Plate Bracket



Copyright © 2005 Douglas Dynamics, L.L.C. All rights reserved. This material may not be reproduced or copied, in whole or in part, in any printed, mechanical, electronic, film or other distribution and storage media, without the written consent of Fisher Engineering. Authorization to photocopy items for internal or personal use by Fisher Engineering outlets or snowplow owner is granted.

Fisher Engineering reserves the right under its product improvement policy to change construction or design details and furnish equipment when so altered without reference to illustrations or specifications used. Fisher Engineering and the vehicle manufacturer may require and/or recommend optional equipment for snow removal. Do not exceed vehicle ratings with a snowplow. Fisher Engineering offers a limited warranty for all snowplows and accessories. See separately printed page for this important information. The following are registered (®) trademarks of Douglas Dynamics, L.L.C.: FISHER®, Minute Mount® 2.

Printed in U.S.A.