

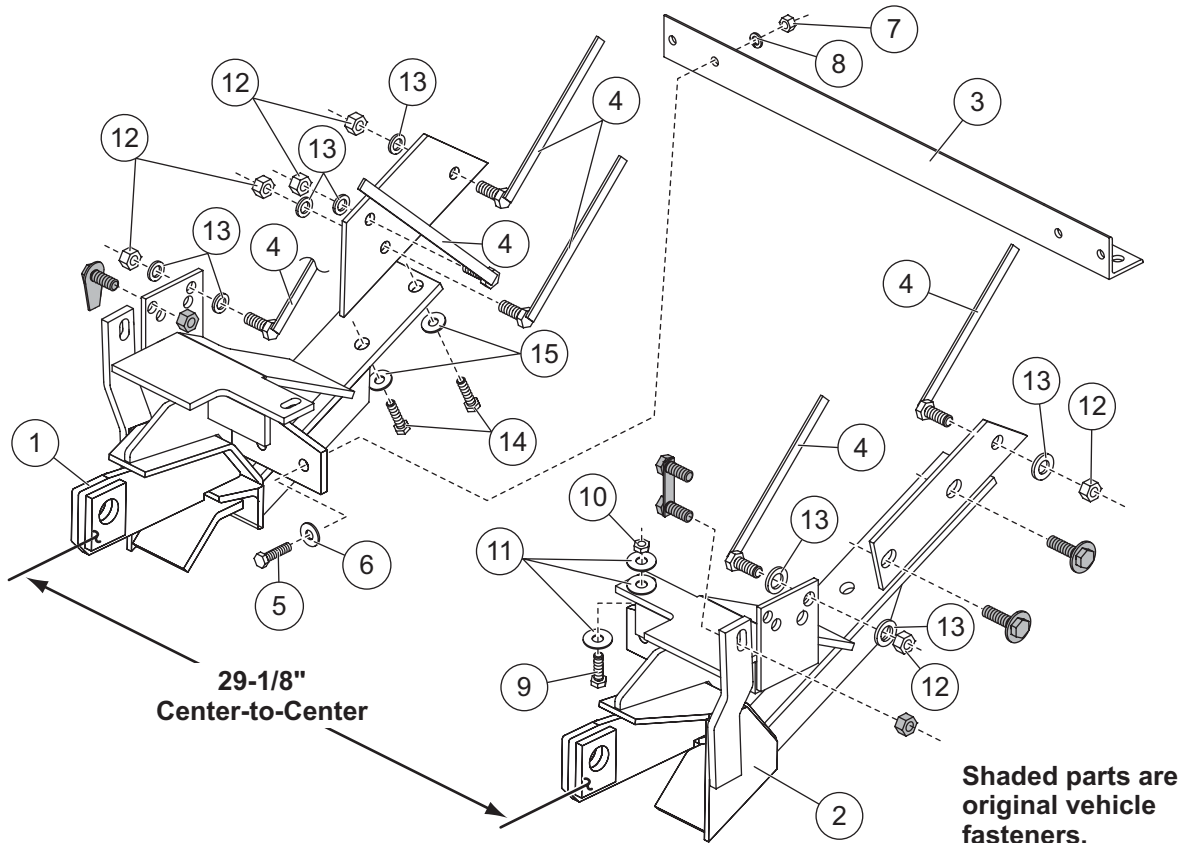


Minute² SYSTEM

MOUNT KIT

Dodge 1500 Reg Cab w/3,850 FGAWR	1994 - 01
Dodge 2500 w/8,800 GVW	1994 - 02
Dodge 3500 w/10,500 GVW	1994 - 02
Dodge 3500 Cab Chassis	1994 - 02

Parts List



7157 Mount Kit							
Item	Part	Qty	Description	Item	Part	Qty	Description
1	21827K	1	Pushplate, PS	4	21314	6	1/2-13 x 1-1/4 Hex Cap Screw G5 w/Handle
2	21826K	1	Pushplate, DS				
3	8661	1	Angle Brace	ns	21924	1	Bolt Bag
21924 Bolt Bag							
5	66456	4	3/8-16 x 1-1/4 Hex Cap Screw G5	11	91104	6	7/16 Flat Washer
6	90315	4	3/8 Flat Washer	12	90355	6	1/2-13 Hex Locknut GB
7	91413	4	3/8-16 Hex Nut G5	13	90572	8	1/2 Hardened Flat Washer
8	91203	4	3/8 Spring Lock Washer	14	97772	4	M10 x 1.50 x 40 Hex Cap Screw G10.9
9	90066	2	7/16-14 x 1-1/4 Hex Cap Screw G5	15	63925	4	3/8 Flat Washer
10	90353	2	7/16-14 Hex Locknut GB	ns	59223	3	Cable Tie
ns = not shown		G = Grade				M = Metric	

Copyright © 2018 Douglas Dynamics, LLC. All rights reserved. This material may not be reproduced or copied, in whole or in part, in any printed, mechanical, electronic, film, or other distribution and storage media, without the written consent of Fisher Engineering. Authorization to photocopy items for internal or personal use by Fisher Engineering outlets or snowplow owner is granted.

Fisher Engineering reserves the right under its product improvement policy to change construction or design details and furnish equipment when so altered without reference to illustrations or specifications used. Fisher Engineering or the vehicle manufacturer may require or recommend optional equipment for snow removal. Do not exceed vehicle ratings with a snowplow. Fisher Engineering offers a limited warranty for all snowplows and accessories. See separately printed page for this important information. The following are registered (®) trademarks of Douglas Dynamics, LLC: FISHER®, Minute Mount® 2.

Printed in U.S.A.