

Fisher Engineering

P.O. Box 529 Rockland, Maine 04841

May 15, 2005

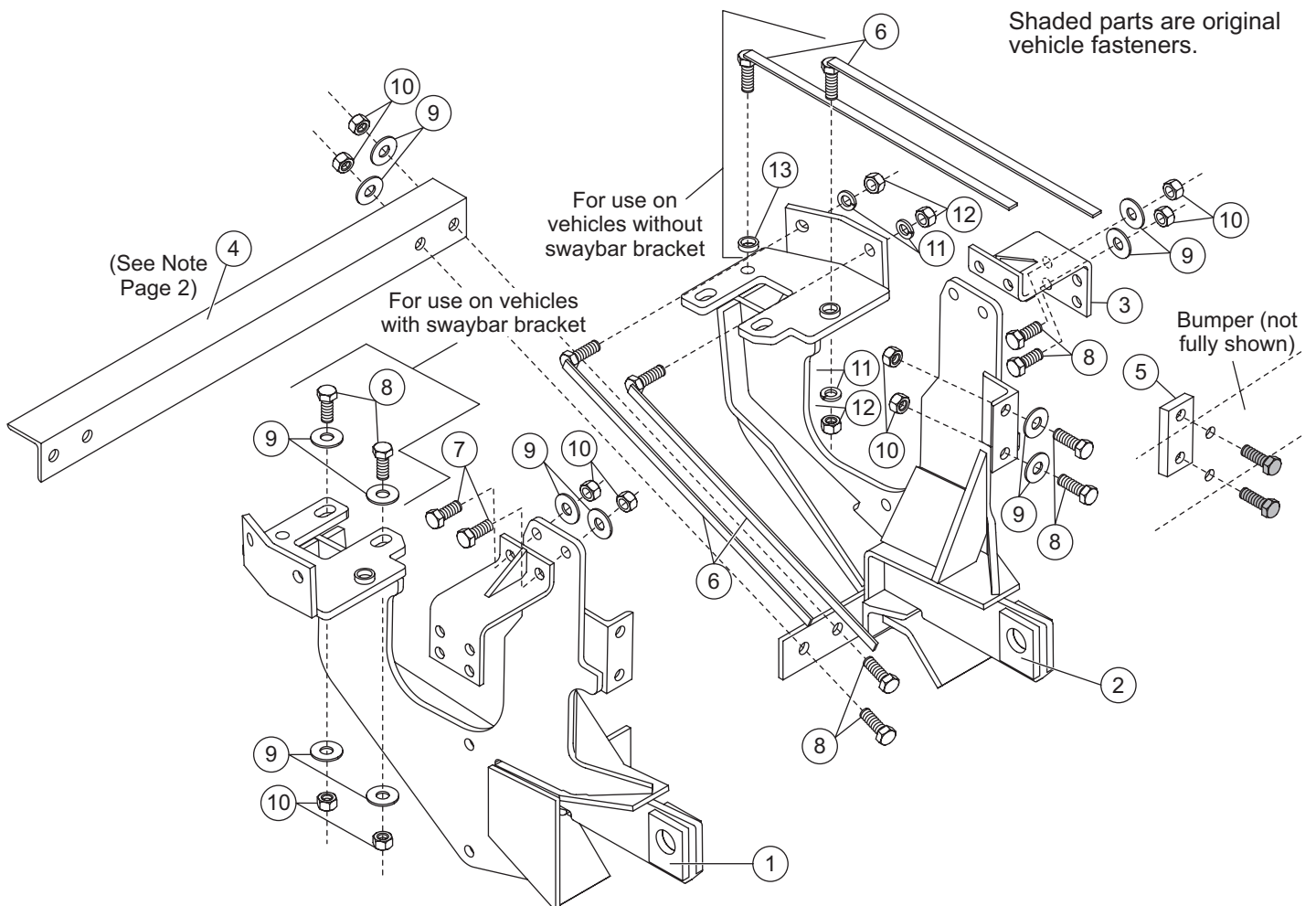
Lit. No. 22303, Rev. 12

Minute² SYSTEM

MOUNT KIT

Ford Super Duty 250/350/450/550 1999 - 04

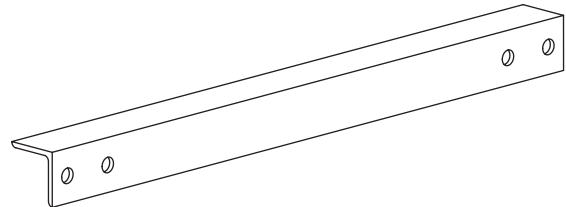
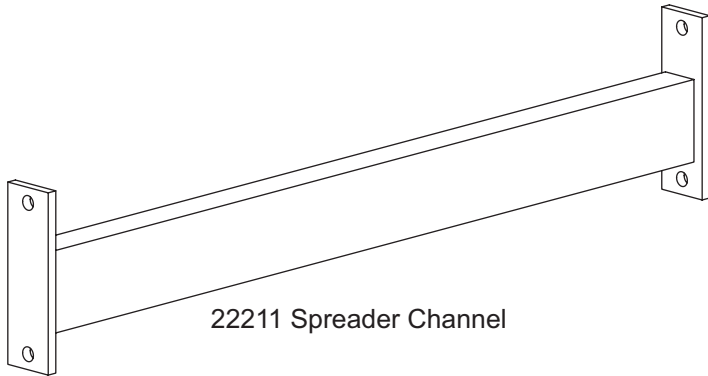
Parts List



7159-2

7159-2 Mount Kit							
Item	Part	Qty	Description	Item	Part	Qty	Description
1	26807	1	Pushplate, PS	5	22323	2	Shim
2	26806	1	Pushplate, DS	6	22314	8	1/2-13x1-1/2 Hex Cap Screw G5 with Handle
3	22289	2	Bracket	ns	66871	1	Ford BlockerBeam™ Warning Tag
4	22211	1	Spreader-Channel OR	ns	22210	1	Bolt Bag
	67696	1	Cross Bar <i>(See diagrams below.)</i>				
22210 Bolt Bag							
7	90575	4	1/2-13 x 1-1/4 Hex Cap Screw G5	11	91205	8	1/2 Spring Lock Washer
8	90210	16	1/2-13 x 1-1/2 Hex Cap Screw G5	12	90337	8	1/2-13 Hex Nut G5
9	90572	24	1/2 Hardened Flat Washer	13	22205	2	Bushing
10	90355	20	1/2-13 Hex Locknut GB	ns	61536	3	Cable Tie – Long
ns = not shown				G = grade			

Item 4 Part Identification



Copyright © 2005 Douglas Dynamics. L.L.C. All rights reserved. This material may not be reproduced or copied, in whole or in part, in any printed, mechanical, electronic, film or other distribution and storage media, without the written consent of Fisher Engineering. Authorization to photocopy items for internal or personal use by Fisher Engineering outlets or snowplow owner is granted.

Fisher Engineering reserves the right under its product improvement policy to change construction or design details and furnish equipment when so altered without reference to illustrations or specifications used. Fisher Engineering and the vehicle manufacturer may require and/or recommend optional equipment for snow removal. Do not exceed vehicle ratings with a snowplow. Fisher Engineering offers a limited warranty for all snowplows and accessories. See separately printed page for this important information. The following are registered (®) trademarks of Douglas Dynamics, L.L.C.: FISHER®, Minute Mount®2.

Printed in U.S.A.