

SECTION 14

TRUCK MOUNT KITS

FORD

PAGE	3	MOUNT KIT:	FORD 4X4 2017 & NEWER SUPER DUTY F250-F350-F450-F550
PAGE	4	MOUNT BRACKET KIT:	FORD 4X4 2017 & NEWER SUPER DUTY
PAGE	5	MOUNT KIT:	FORD 4X4 2008-2016 SUPER DUTY F250-F350-F450-F550
PAGE	6	MOUNT KIT:	FORD 4X4 2015 & NEWER F150
PAGE	6	MOUNT KIT:	FORD 4X4 2009-2010 F150
PAGE	7	MOUNT KIT:	FORD 4X4 1996-2011 RANGER
PAGE	8	MOUNT KIT:	FORD 4X4 2005-2007 SUPER DUTY F250-F350-F450-F550
PAGE	9	MOUNT KIT:	FORD 4X4 1999-2004 SUPER DUTY F250-F350-F450-F550
PAGE	10	MOUNT KIT:	FORD 4X4 2004-2008 F150
PAGE	11	MOUNT KIT:	FORD 4X4 1997-1999 F250 LD, 2000-2003 F150 (UNDER 7,700 LBS. GVW), 2004 F150 HERITAGE
PAGE	12	MOUNT KIT:	FORD 4X4 1992-1997 F250 HD-F350
PAGE	13	MOUNT KIT:	FORD 4X4 1992-1996 F150
PAGE	14	MOUNT KIT:	FORD 4X4 1980-1991 F150-F250-F350

CHEVROLET/GMC

PAGE	15	MOUNT KIT:	CHEV/GMC 4X4, 4X2, 2019 & NEWER 4500/5500/6500
PAGE	16	MOUNT KIT:	CHEV/GMC 4X4 2003-2010 4500/5500
PAGE	17	MOUNT KIT:	CHEV/GMC 4X2 2003-2010 4500/5500
PAGE	18	MOUNT KIT:	CHEV/GMC 4X4 2019 & NEWER SILVERADO/SIERRA 3500, 2500
PAGE	19	MOUNT KIT:	CHEV/GMC 4X4 2015-2019 SILVERADO/SIERRA 3500, 2500
PAGE	20	MOUNT KIT:	CHEV/GMC 4X4 2011 - 2014 SILVERADO/SIERRA 3500, 2500
PAGE	21	MOUNT BRACKET KIT:	CHEV/GMC 4X4 2011-2019 SILVERADO/SIERRA 3500, 2500
PAGE	22	MOUNT KIT:	CHEV/GMC 4X4 2019 & NEWER SILVERADO/SIERRA 1500
PAGE	23	MOUNT KIT:	CHEV/GMC 4X4 2014 - 2018 1500 SILVERADO/SIERRA
PAGE	24	MOUNT KIT:	CHEV/GMC 4X4 2004 - 2012 COLORADO/CANYON
PAGE	24	MOUNT KIT:	CHEV/GMC 4X4 2004 - 2011 COLORADO/CANYON (NON CURRENT)
PAGE	25	MOUNT KIT:	CHEV/GMC 4X4 1999-2010 SILVERADO/SIERRA 3500, 2500, 2500HD, 1500HD
PAGE	26	MOUNT BRACKET KIT:	CHEV/GMC 4X4 1999-2010 SILVERADO/SIERRA 3500, 2500, 2500HD, 1500HD
PAGE	27	MOUNT KIT:	CHEV/GMC 4X4 2007 - 2013 SILVERADO/SIERRA 1500
PAGE	28	MOUNT KIT:	CHEV/GMC 4X4 1999 - 2006 1500 SILVERADO/SIERRA
PAGE	29	MOUNT KIT:	CHEV/GMC 4X4 1995-2003 S10/SONOMA
PAGE	30	MOUNT KIT:	CHEV/GMC 4X2 1991-2002 3500 HD CHASSIS CAB
PAGE	31	MOUNT KIT:	CHEV/GMC 4X4 1988-1998 K1500-K2500-K3500 1999 K1500 - K2500 WITH 7.4L ENGINE 1999 K3500 (ALL MODELS)
PAGE	32	MOUNT BRACKET KIT:	CHEV/GMC 4X4 1988 -1998 K1500 - 2500 - 3500 1999 K1500 - K2500 WITH 7.4L ENGINE 1999 K3500 (ALL MODELS)
PAGE	33	MOUNT KIT:	CHEV/GMC 4X4 1973 -1987 K10-K20-K30/V1500-V2500-V3500

TRUCK MOUNT KITS

DODGE

- PAGE 34 MOUNT KIT: RAM 4X4 2019 & NEWER 3500, 4500, 5500 CHASSIS CAB
- PAGE 35 MOUNT KIT: DODGE RAM/STERLING BULLET 4X4, 4X2 2008-2018 4500-5500
- PAGE 36 MOUNT KIT: DODGE RAM/STERLING BULLET 4X4, 4X2 2008 - 2012 4500/5500 (NON CURRENT)
- PAGE 37 MOUNT KIT: RAM 4X4 2019 & NEWER 2500/3500
- PAGE 38 MOUNT KIT: DODGE RAM/4X4 2013 - 2018 2500-3500
- PAGE 39 MOUNT BRACKET KIT: RAM 4X4 2013 & NEWER 2500-3500
- PAGE 40 MOUNT KIT: DODGE RAM 4X4 2009 - 2012 1500
- PAGE 41 MOUNT KIT: DODGE DAKOTA 4X4 2005-2011
- PAGE 42 MOUNT KIT: DODGE RAM 4X4 2010-2012 2500-3500
- PAGE 43 MOUNT KIT: DODGE RAM 4X4 2003-2009 2500-3500
- PAGE 44 MOUNT KIT: DODGE RAM 4X4 2002-2008 1500
- PAGE 45 MOUNT KIT: DODGE RAM 4X4 1994-2001 W1500, 1994-2002 W2500-W3500
- PAGE 46 MOUNT KIT: DODGE RAM 4X4 1972-1993 W100-W150-W200-W250-W300-W350
- PAGE 47 MOUNT KIT: DODGE DAKOTA 4X4 2000-2004

JEEP

- PAGE 48 MOUNT KIT: JEEP 4X4 2018 & NEWER WRANGLER JL
- PAGE 49 MOUNT KIT: JEEP 4X4 2007 - 2018 WRANGLER JK
- PAGE 50 MOUNT KIT: JEEP 4X4 1997 - 2006 WRANGLER TJ

NISSAN

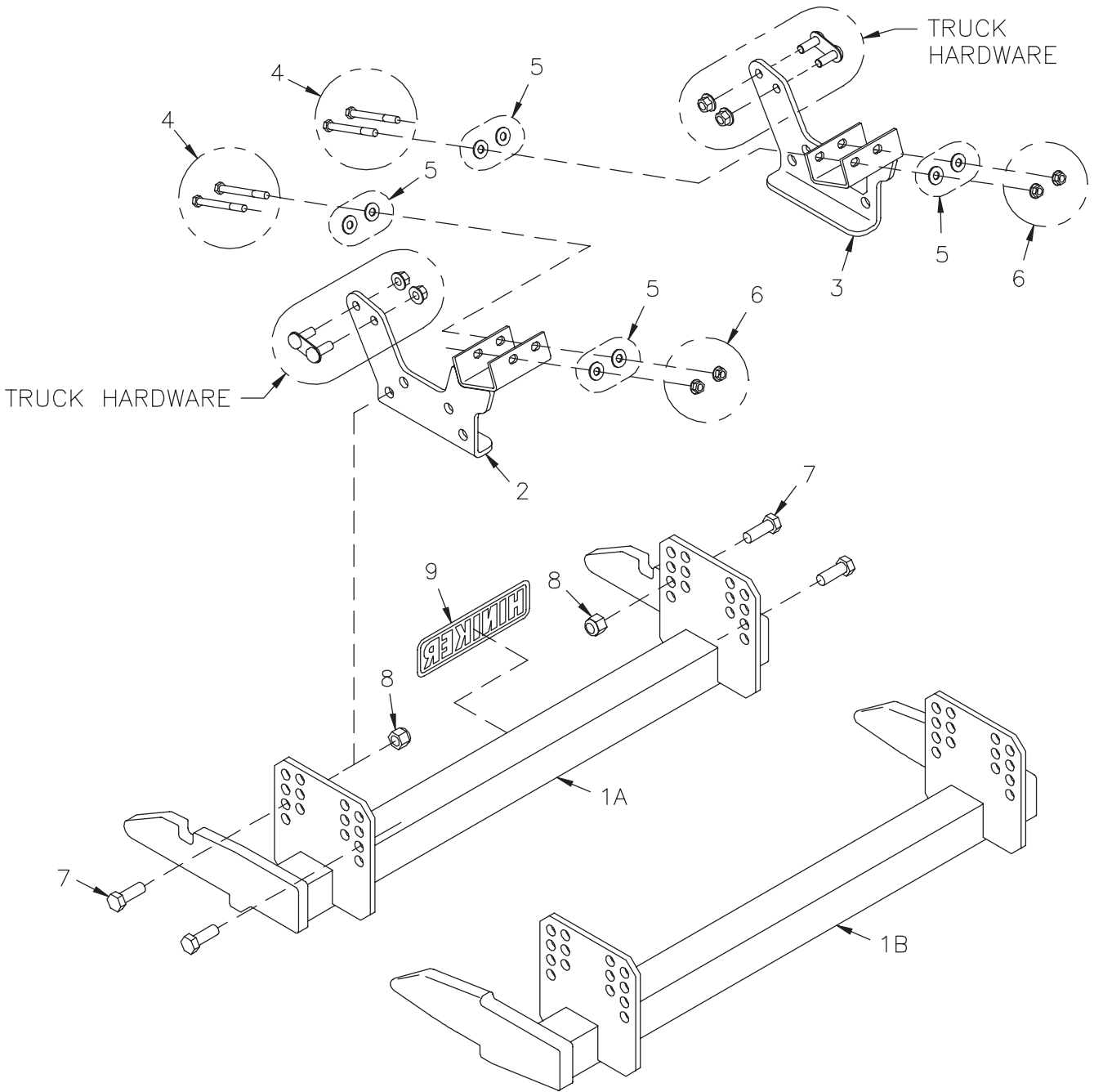
- PAGE 51 MOUNT KIT: NISSAN 4X4 2018 & NEWER TITAN XD
- PAGE 52 MOUNT KIT: NISSAN 4X4 2004-2015 TITAN
- PAGE 52 MOUNT BRACKET KIT: NISSAN 4X4 2004-2015 TITAN

TOYOTA

- PAGE 53 MOUNT KIT: TOYOTA 4X4 2007 & NEWER TUNDRA

TRUCK MOUNT KITS

MOUNT KIT: FORD 4X4
2017 & NEWER SUPER DUTY
F250-F350-F450-F550



SEC
14

Mount Kit 25013722
QH2 Mount Kit 25013723

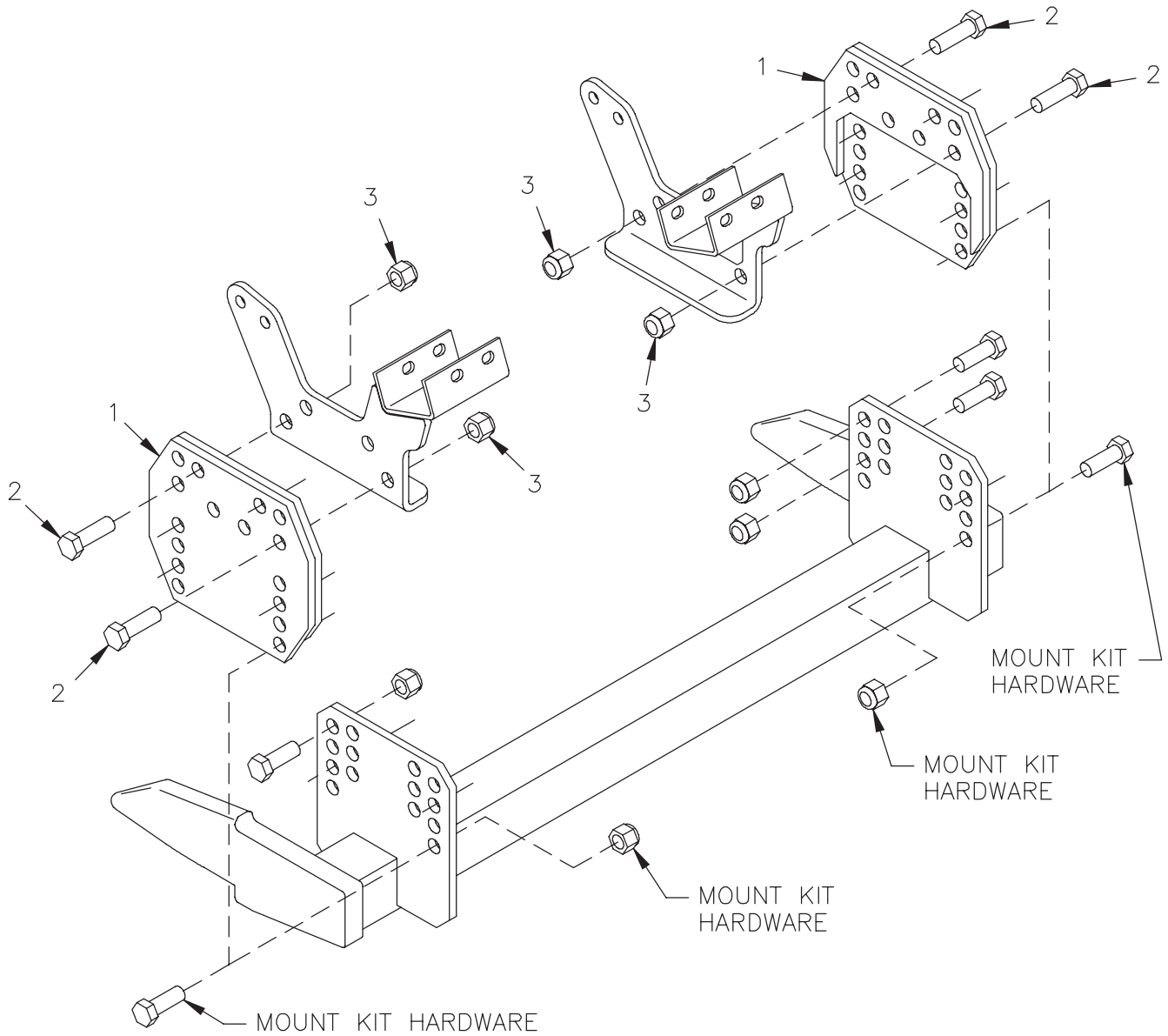
DWG. NO. 7374B

REF. NO.	PART NUMBER	DESCRIPTION	QTY.	REF. NO.	PART NUMBER	DESCRIPTION	QTY.
1A	25013277	Prong Weldment	1	6	951-005-003	Lock Nut 3/8-16 Mac Lock	4
1B	25013276	Prong Weldment - QH2	1	7	950-001-132	Hex Head Cap Screw 5/8-11 x 1 3/4 Gr. 5	8
2	25013875	LH Bracket Weldment	1	8	060756	Lock Nut 5/8-11 Nylon Insert	8
3	25013874	RH Bracket Weldment	1	9	25010008	Hiniker Decal	1
4	950-001-014	Hex Head Cap Screw 3/8-16 x 3 3/4 Gr. 8	4		25013728	Bolt Bag	1
5	952-004-084	Hardened Flat Washer, 3/8 Inch	8				

TRUCK MOUNT KITS

MOUNT BRACKET KIT: FORD 4X4
2017 & NEWER SUPER DUTY
(USED WITH FORD MOUNT KITS 25013722, 25013723)

SEC
14



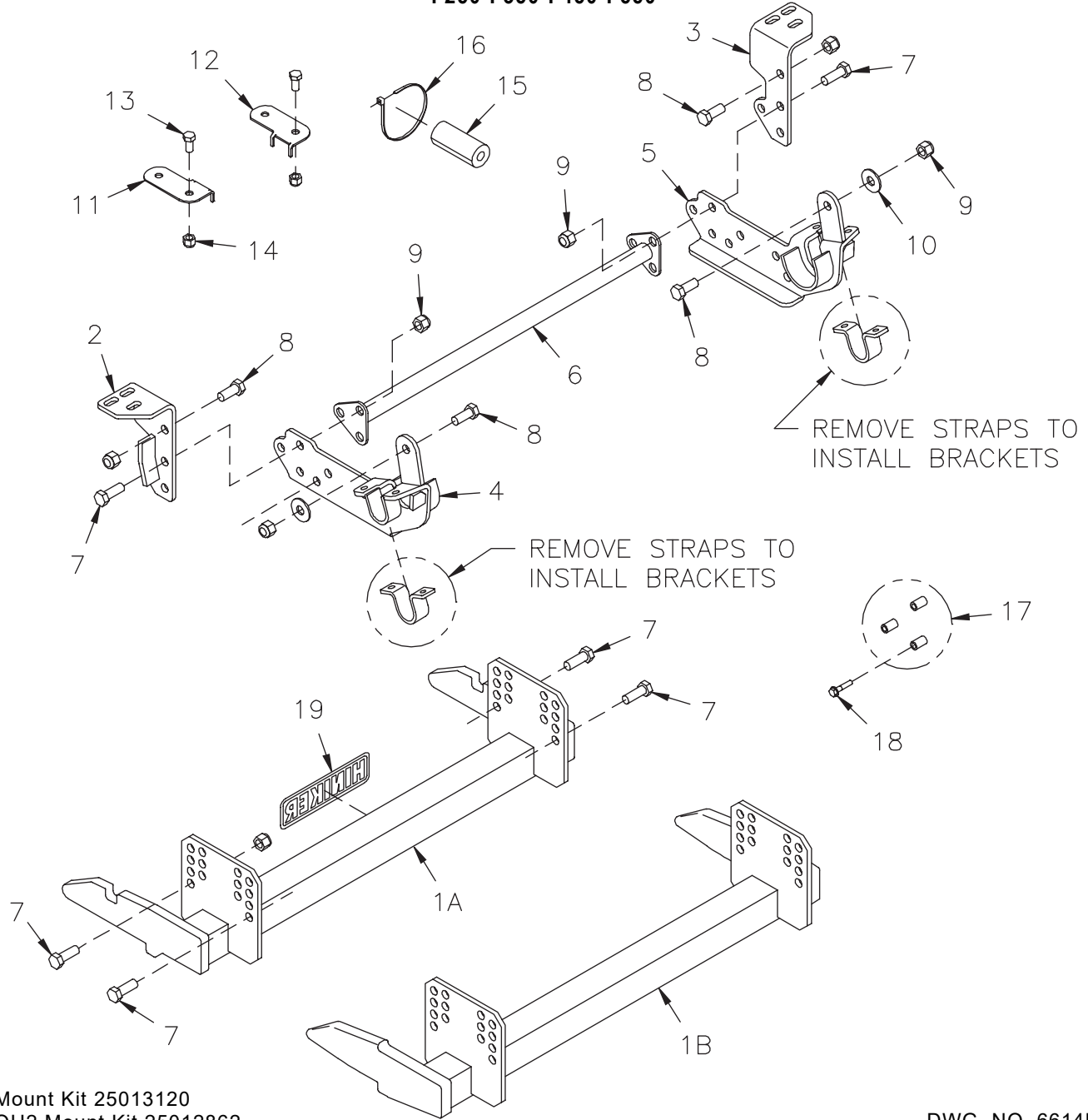
Prong Adapter Kit 25013334

DWG. NO. 7597

REF. NO.	PART NUMBER	DESCRIPTION	QTY.	REF. NO.	PART NUMBER	DESCRIPTION	QTY.
1	25013335	Adapter Plate Weldment	2	3	060756	Lock Nut 5/8-11 Nylon Insert	8
2	950-001-023	Hex Head Cap Screw 5/8-11 x 2 Gr. 5	8				

TRUCK MOUNT KITS

MOUNT KIT: FORD 4X4
2008 - 2016 SUPER DUTY
F250-F350-F450-F550



SEC
14

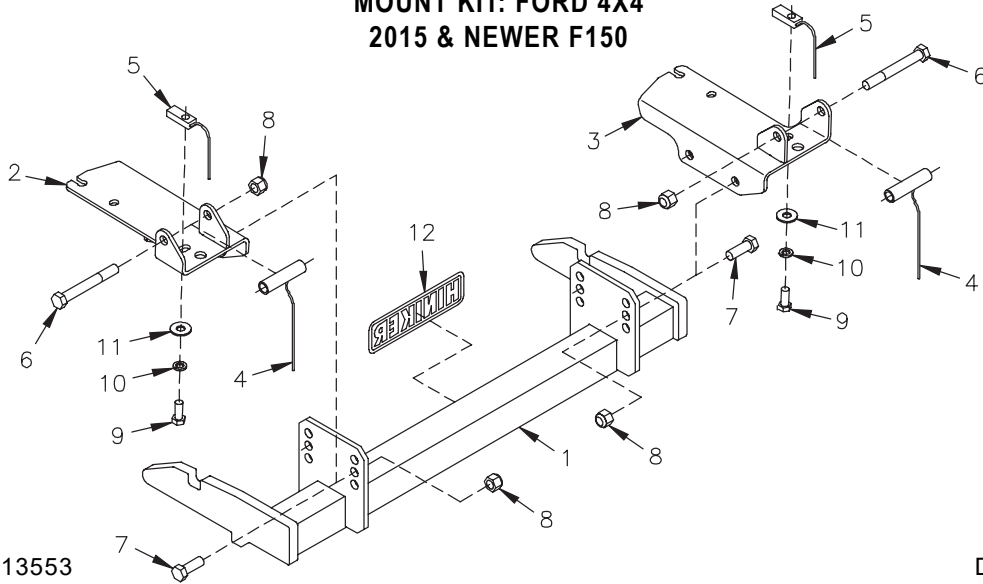
Mount Kit 25013120
QH2 Mount Kit 25012862

DWG. NO. 6614B

REF. NO.	PART NUMBER	DESCRIPTION	QTY.	REF. NO.	PART NUMBER	DESCRIPTION	QTY.
1A	25013277	Prong Weldment	1	11	25012255	LH Headlight Extension Bracket	1
1B	25013276	Prong Weldment - QH2	1	12	25012254	RH Headlight Extension Bracket	1
2	25012881	LH Front Bracket Weldment	1	13	950-001-231	Hex Head Cap Screw 1/2-13 x 1 Gr. 5	2
3	25012880	RH Front Bracket Weldment	1	14	951-003-009	Lock Nut 1/2-13 Nylon Insert	2
4	25012882	LH Side Bracket Weldment	1	15	39107001	Foam Grommet	1
5	25012883	RH Side Bracket Weldment	1	16	367-001-014	Plastic Tie, 8"	1
6	25012248	Cross Tube Weldment	1	17	25012803	Standoff Spacer	3
7	950-001-132	Hex Head Cap Screw 5/8-11 x 1 3/4 Gr. 5	14	18	950-011-061	Hex Flange Cap Screw M8 x 1.25 x 40 CL. 10.9	3
8	950-001-087	Hex Head Cap Screw 5/8-11 x 1 1/2 Gr. 5	4	19	25010008	Hiniker Decal	1
9	060756	Lock Nut 5/8-11 Nylon Insert	18		25012258	Bolt Bag	1
10	952-002-007	Flat Washer, 5/8 Inch	2				

TRUCK MOUNT KITS

MOUNT KIT: FORD 4X4 2015 & NEWER F150



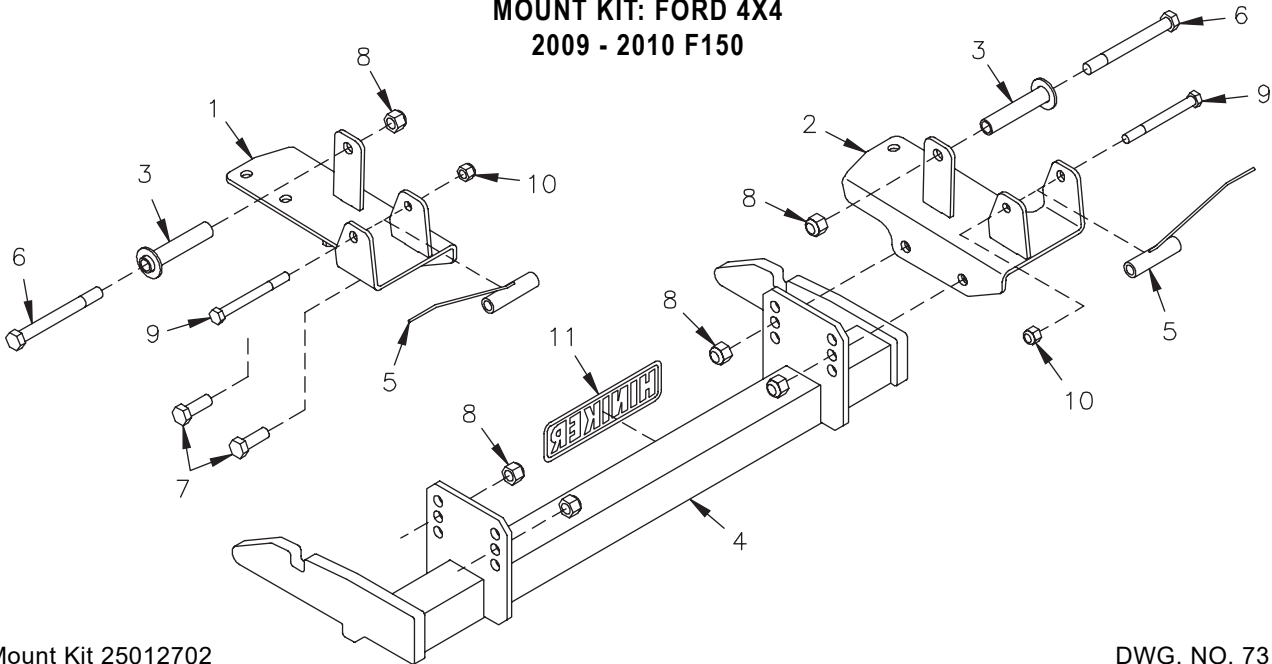
Mount Kit 25013553

DWG. NO. 7310

SECTION 14

REF. NO.	PART NUMBER	DESCRIPTION	QTY.	REF. NO.	PART NUMBER	DESCRIPTION	QTY.
1	25010491	Prong Weldment	1	8	060756	Lock Nut 5/8-11 Nylon Insert	6
2	25013554	LH Bracket Weldment	1	9	950-001-111	Hex Head Cap Screw 1/2-13 x 1 1/4 Gr. 5	2
3	25013555	RH Bracket Weldment	1	10	952-001-004	Lock Washer, 1/2 Inch	2
4	25013556	Spacer Bushing Weldment	2	11	952-004-067	Flat Washer, 1/2 Inch Hardened	2
5	25013557	Nut Bar Weldment	2	12	25010008	Hiniker Decal	1
6	950-001-148	Hex Head Cap Screw 5/8-11 x 5 Gr. 5	2		25013560	Bolt Bag	1
7	950-001-132	Hex Head Cap Screw 5/8-11 x 1 3/4 Gr. 5	4				

MOUNT KIT: FORD 4X4 2009 - 2010 F150



Mount Kit 25012702

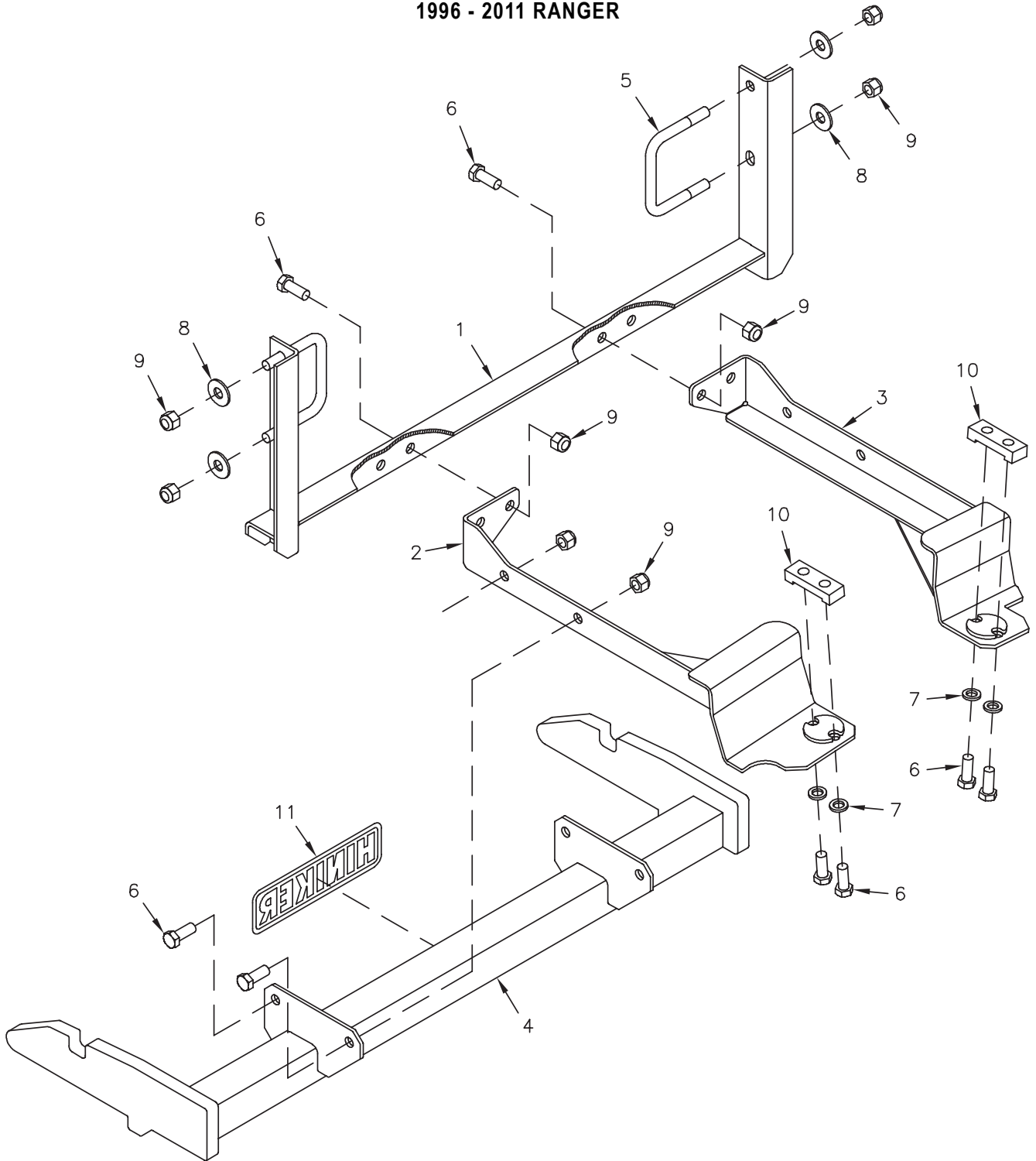
DWG. NO. 7311

REF. NO.	PART NUMBER	DESCRIPTION	QTY.	REF. NO.	PART NUMBER	DESCRIPTION	QTY.
1	25012710	LH Bracket Weldment	1	7	950-001-132	Hex Head Cap Screw 5/8-11 x 1 3/4 Gr. 5	4
2	25012711	RH Bracket Weldment	1	8	060756	Lock Nut 5/8-11 Nylon Insert	6
3	25011519	Front Spacer Bushing Weldment	2	9	950-001-060	Hex Head Cap Screw 1/2-13 x 5 Gr. 5	2
4	25010491	Prong Weldment	1	10	951-003-009	Lock Nut 1/2-13 Nylon Insert	2
5	25011521	Rear Spacer Bushing Weldment	2	11	25010008	Hiniker Decal	1
6	950-001-161	Hex Head Cap Screw 5/8-11 x 6 Gr. 5	2		25011524	Bolt Bag	1

TRUCK MOUNT KITS

MOUNT KIT: FORD 4X4
1996 - 2011 RANGER

SEC
14



Mount Kit 25012024

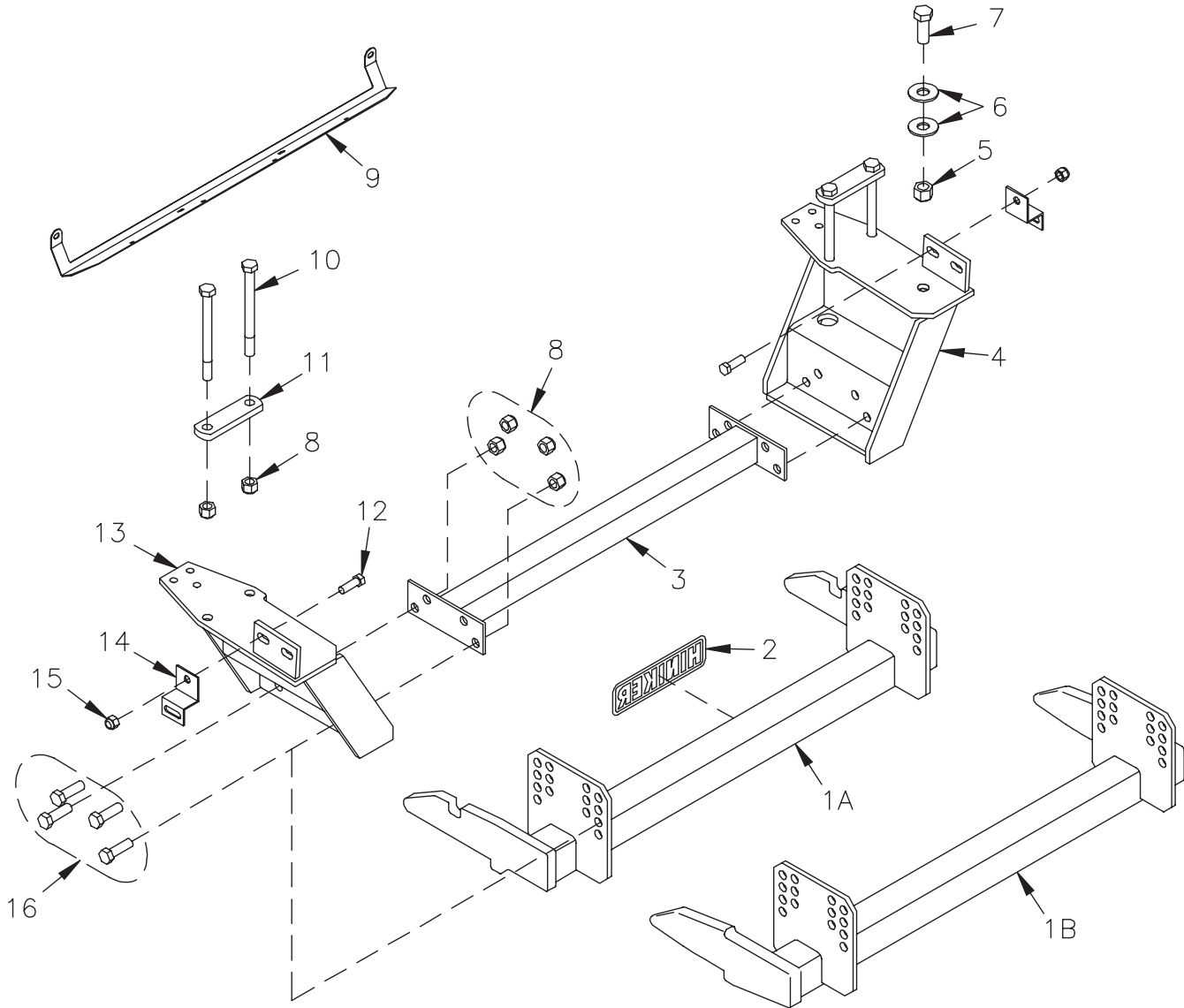
DWG. NO. 5833

REF. NO.	PART NUMBER	DESCRIPTION	QTY.	REF. NO.	PART NUMBER	DESCRIPTION	QTY.
1	25012062	Front Frame Weldment	1	7	952-001-004	Lock Washer 1/2 Inch	4
2	25012063	LH Bracket Weldment	1	8	952-002-005	Flat Washer 1/2 Inch	4
3	25012064	RH Bracket Weldment	1	9	951-003-009	Lock Nut 1/2-13 Nylon Insert	12
4	25012065	Prong Weldment	1	10	25012067	Nut Bar	2
5	25012066	U-Bolt 1/2-13 x 4 1/4 x 3 1/2	2	11	25010008	Hiniker Decal	1
6	950-001-111	Hex Head Cap Screw 1/2-13 x 1 1/4 Gr. 5	12		25012069	Bolt Bag	1

TRUCK MOUNT KITS

MOUNT KIT: FORD 4X4
2005 - 2007 SUPER DUTY
F250-F350-F450-F550

SEC
14



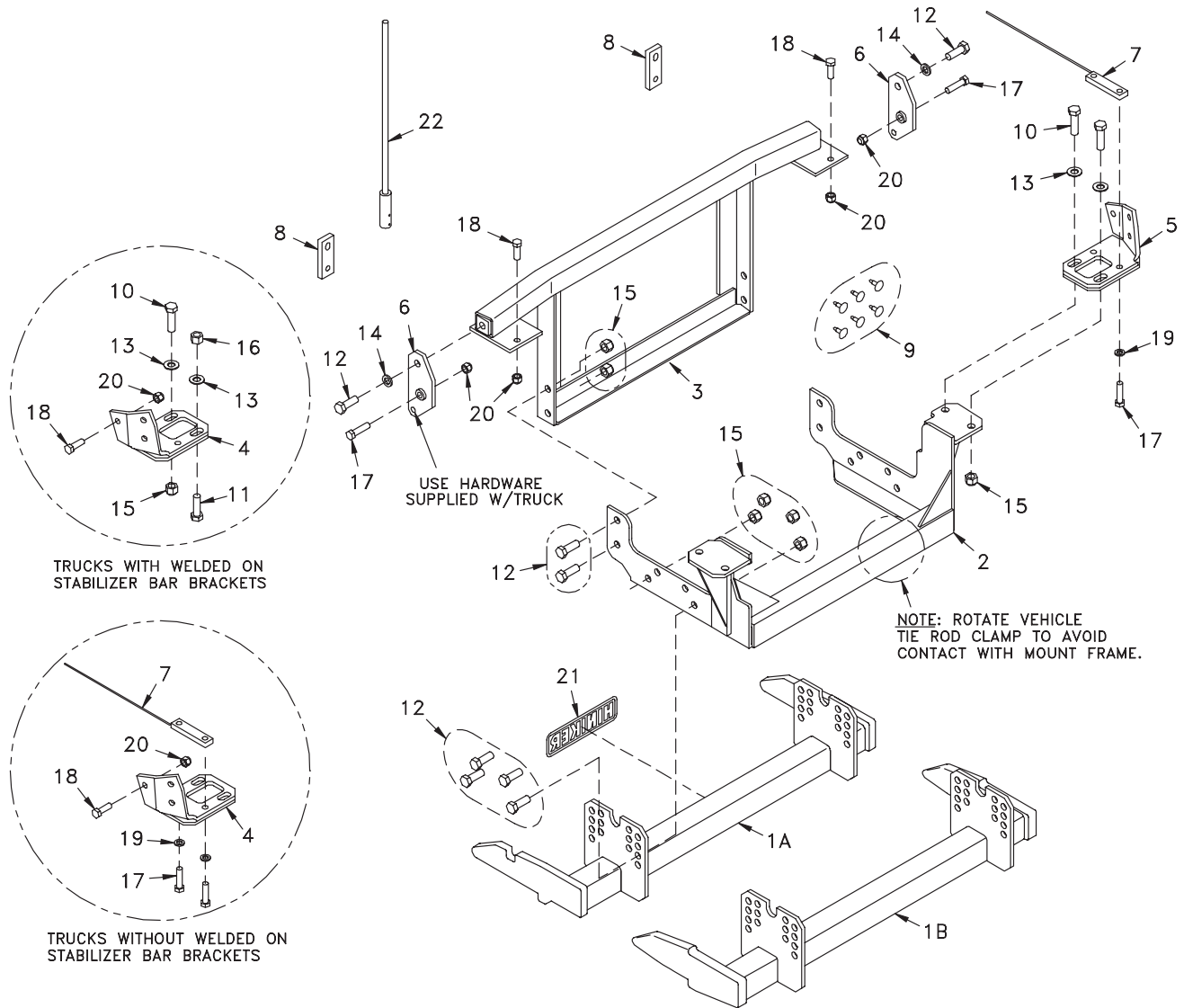
Mount Kit 25011732
QH2 Mount Kit 25012863

DWG. NO. 5477A

REF. NO.	PART NUMBER	DESCRIPTION	QTY.	REF. NO.	PART NUMBER	DESCRIPTION	QTY.
1A	25013277	Prong Weldment	1	9	25011739	Trim Retainer Strap	1
1B	25013276	Prong Weldment - QH2	1	10	950-001-143	Hex Head Cap Screw 5/8-11 x 7 Gr 5	4
2	25010008	Hiniker Decal	1	11	25011736	Top Bar	2
3	25011737	Cross Tube Weldment	1	12	950-001-125	Hex Head Cap Screw 1/2-13 x 1 1/2 Gr 5	2
4	25011735	RH Bracket Weldment	1	13	25011734	LH Bracket Weldment	1
5	951-003-010	Lock Nut 3/4 Nylon Insert	2	14	25011738	Bumper Retainer	2
6	10449	Flat Washer 3/4 Inch	4	15	951-003-009	Lock Nut 1/2 Nylon Insert	2
7	950-001-166	Hex Head Cap Screw 3/4-10 x 2 Gr 5	2	16	950-001-023	Hex Head Cap Screw 5/8-11 x 2 Gr 5	8
8	060756	Lock Nut 5/8 Nylon Insert	12		25011749	Bolt Bag	1

TRUCK MOUNT KITS

MOUNT KIT: FORD 4X4 1999-2004 SUPER DUTY F250-F350-F450-F550



SEC 14

Mount Kit 25013118
QH2 Mount Kit 25012864

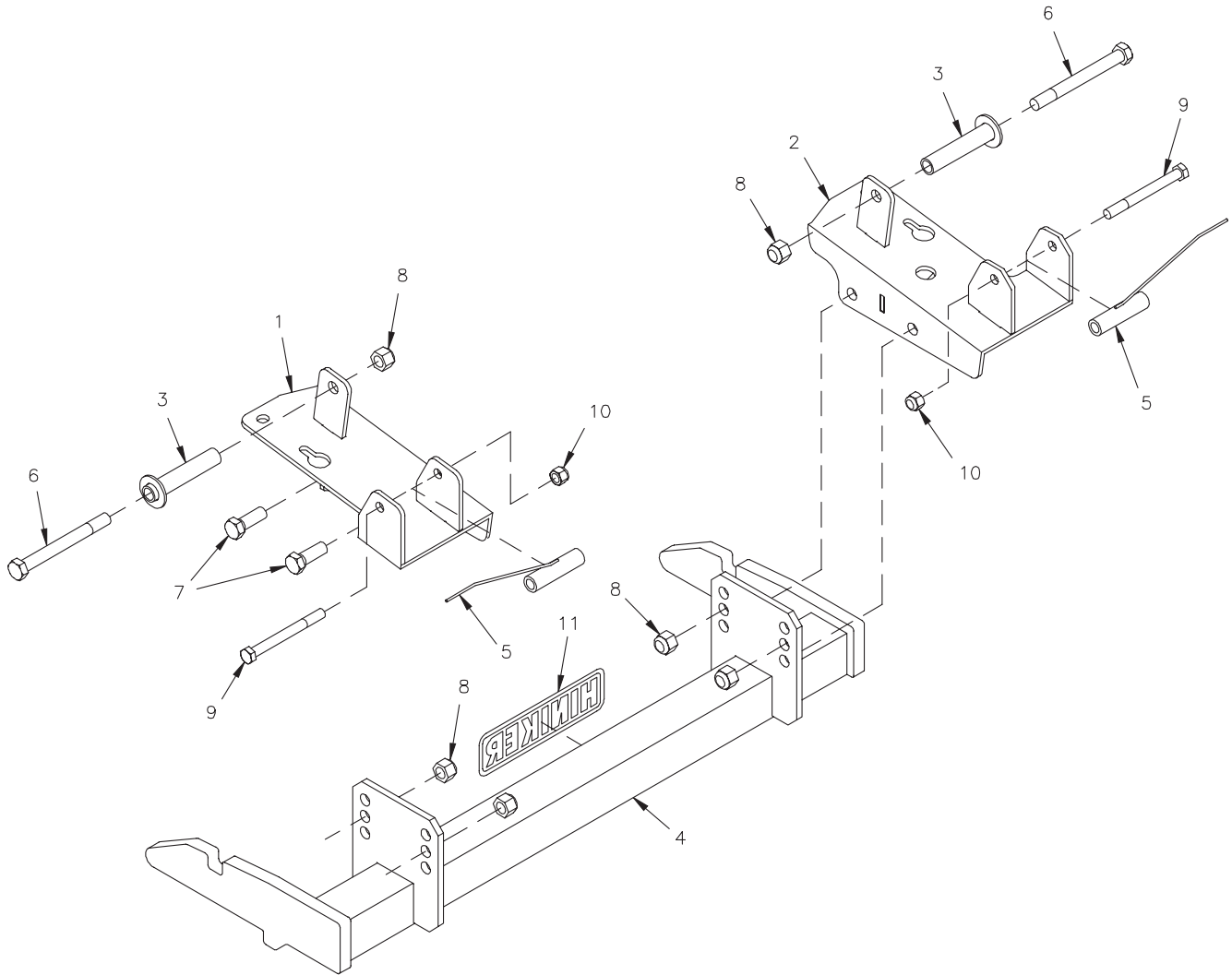
DWG. NO. 3898D

REF. NO.	PART NUMBER	DESCRIPTION	QTY.	REF. NO.	PART NUMBER	DESCRIPTION	QTY.
1A	25010177	Prong Weldment	1	12	950-001-132	Hex Head Cap Screw 5/8-11 x 1 3/4 Gr. 5	14
1B	25012896	Prong Weldment - QH2	1	13	952-003-003	SAE Flat Washer 5/8 Inch	4
2	25012895	Mount Frame Weldment	1	14	952-001-005	Lock Washer 5/8 Inch	2
3	25013134	Front Frame Weldment	1	15	060756	Lock Nut 5/8-11 Nylon Insert	15
4	25010558	LH Rear Bracket Weldment	1	16	951-005-044	Lock Nut 5/8-11 2-Way	1
5	25010559	RH Rear Bracket Weldment	1	17	950-001-112	Hex Head Cap Screw 1/2 -13 x 2 Gr. 5	6
6	25010560	Side Plate Weldment	2	18	950-001-125	Hex Head Cap Screw 1/2-13 x 1 1/2 Gr. 5	8
7	25010942	Nut Bar Weldment	2	19	952-001-004	Lock Washer, 1/2 Inch	4
8	25010610	Spacer	2	20	951-003-009	Lock Nut 1/2-13 Nylon Insert	10
9	25010499	Trim Panel Retainer	6	21	25010008	Hiniker Decal	1
10	950-001-185	Hex Head Cap Screw 5/8-11 x 2 1/4 Gr. 5	3	22	25010552	Drill Bit Extension (Not Included In Kit)	1
11	950-001-023	Hex Head Cap Screw 5/8-11 x 2 Gr. 5	1		25011160	Bolt Bag	1

TRUCK MOUNT KITS

MOUNT KIT: FORD 4X4
2004-2008 F150

SEC
14



Mount Kit 25011509

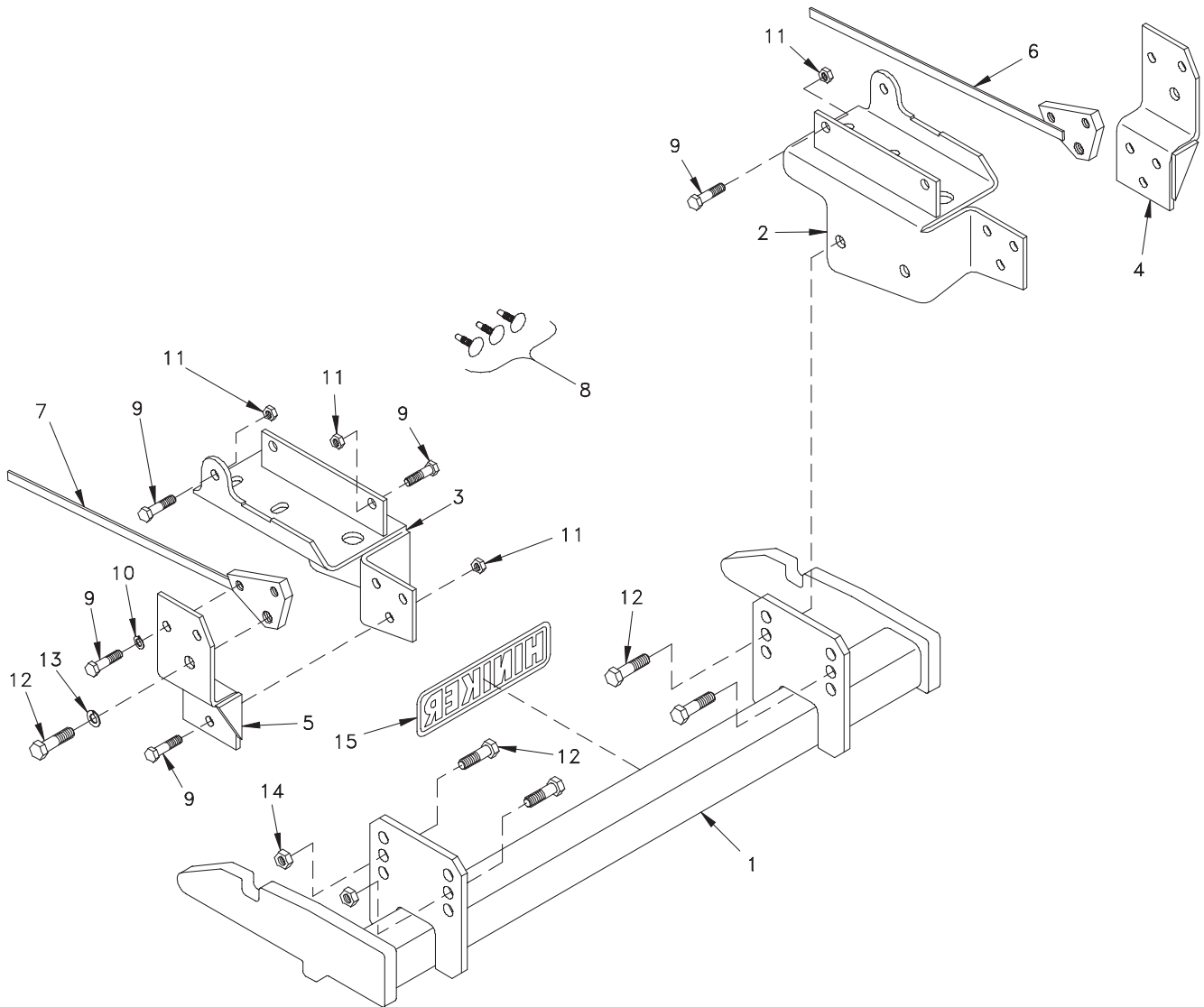
DWG. NO. 5357A

REF. NO.	PART NUMBER	DESCRIPTION	QTY.	REF. NO.	PART NUMBER	DESCRIPTION	QTY.
1	25011517	LH Bracket Weldment	1	7	950-001-132	Hex Head Cap Screw 5/8-11 x 1 3/4 Gr. 5	4
2	25011518	RH Bracket Weldment	1	8	060756	Lock Nut 5/8-11 Nylon Insert	6
3	25011519	Front Spacer Bushing Weldment	2	9	950-001-060	Hex Head Cap Screw 1/2-13 x 5 Gr. 5	2
4	25010491	Prong Weldment	1	10	951-003-009	Lock Nut 1/2-13 Nylon Insert	2
5	25011521	Rear Spacer Bushing Weldment	2	11	25010008	Hiniker Decal	1
6	950-001-161	Hex Head Cap Screw 5/8-11 x 6 Gr. 5	2		25011524	Bolt Bag	1

TRUCK MOUNT KITS

MOUNT KIT: FORD 4X4:
 1997-1999 F250 LD
 2000-2003 F150 (UNDER 7,700 LBS. GVW)
 2004 F150 HERITAGE

SEC
 14



Mount Kit 25010490

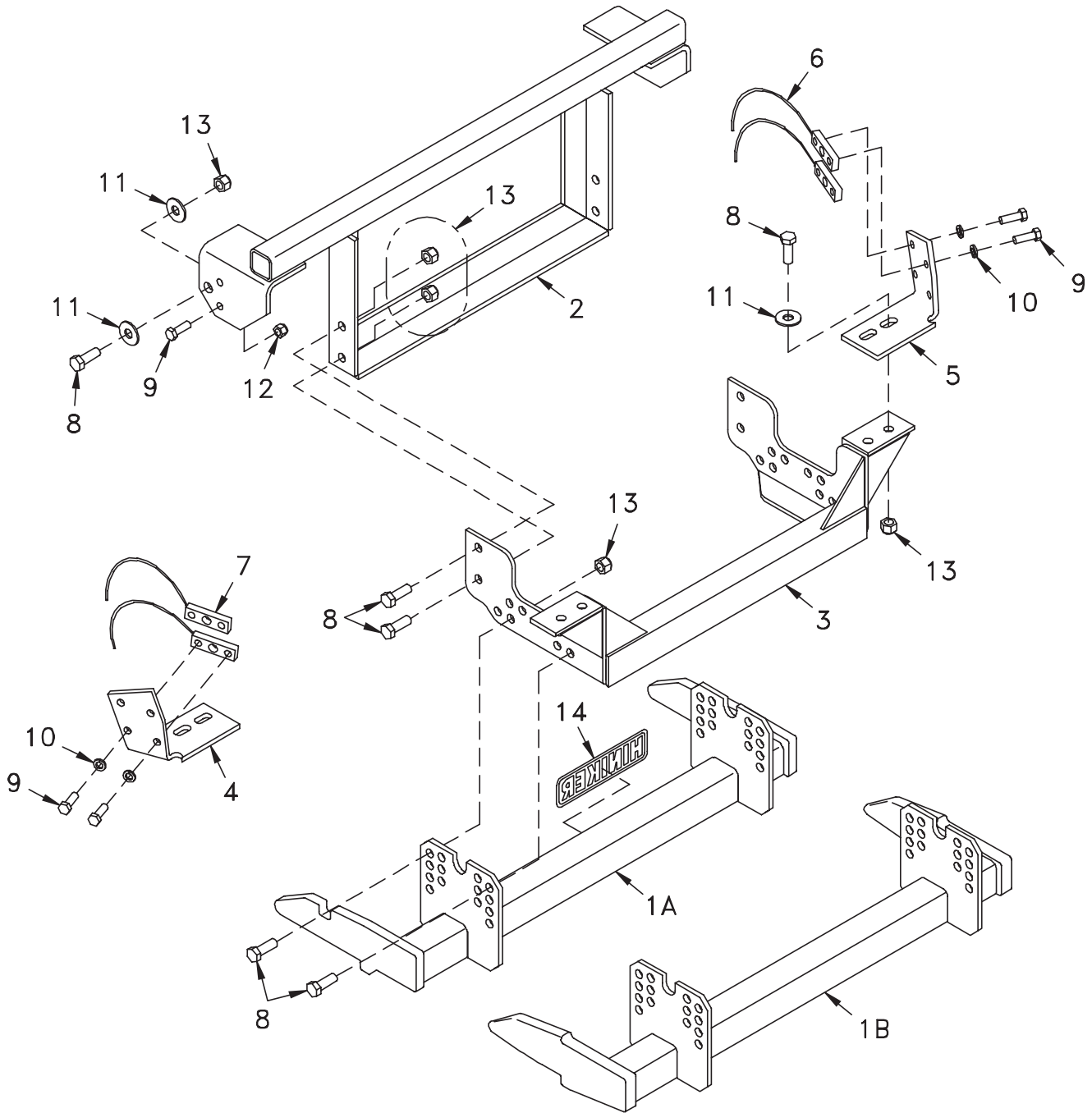
DWG. NO. 3310B

REF. NO.	PART NUMBER	DESCRIPTION	QTY.	REF. NO.	PART NUMBER	DESCRIPTION	QTY.
1	25010491	Prong Weldment	1	9	950-001-125	Hex Head Cap Screw 1/2-13 x 1 1/2 Gr. 5	16
2	25010492	RH Front Bracket Weldment	1	10	952-001-004	Lock Washer 1/2 Inch	4
3	25010493	LH Front Bracket Weldment	1	11	951-003-009	Lock Nut 1/2-13 Nylon Insert	12
4	25010507	RH Rear Bracket Weldment	1	12	950-001-132	Hex Head Cap Screw 5/8-11 x 1 3/4 Gr. 5	6
5	25010506	LH Rear Bracket Weldment	1	13	952-001-005	Lock Washer 5/8 Inch	2
6	25010494	RH Nut Weldment	1	14	060756	Lock Nut 5/8-11 Nylon Insert	4
7	25010495	LH Nut Weldment	1	15	25010008	Hiniker Decal	1
8	25010499	Trim Panel Retainer	3		25011161	Bolt Bag	1

TRUCK MOUNT KITS

MOUNT KIT: FORD 4X4 1992-1997 F250 HD-F350

SEC
14



Mount Kit 25010255
QH2 Mount Kit 25012865

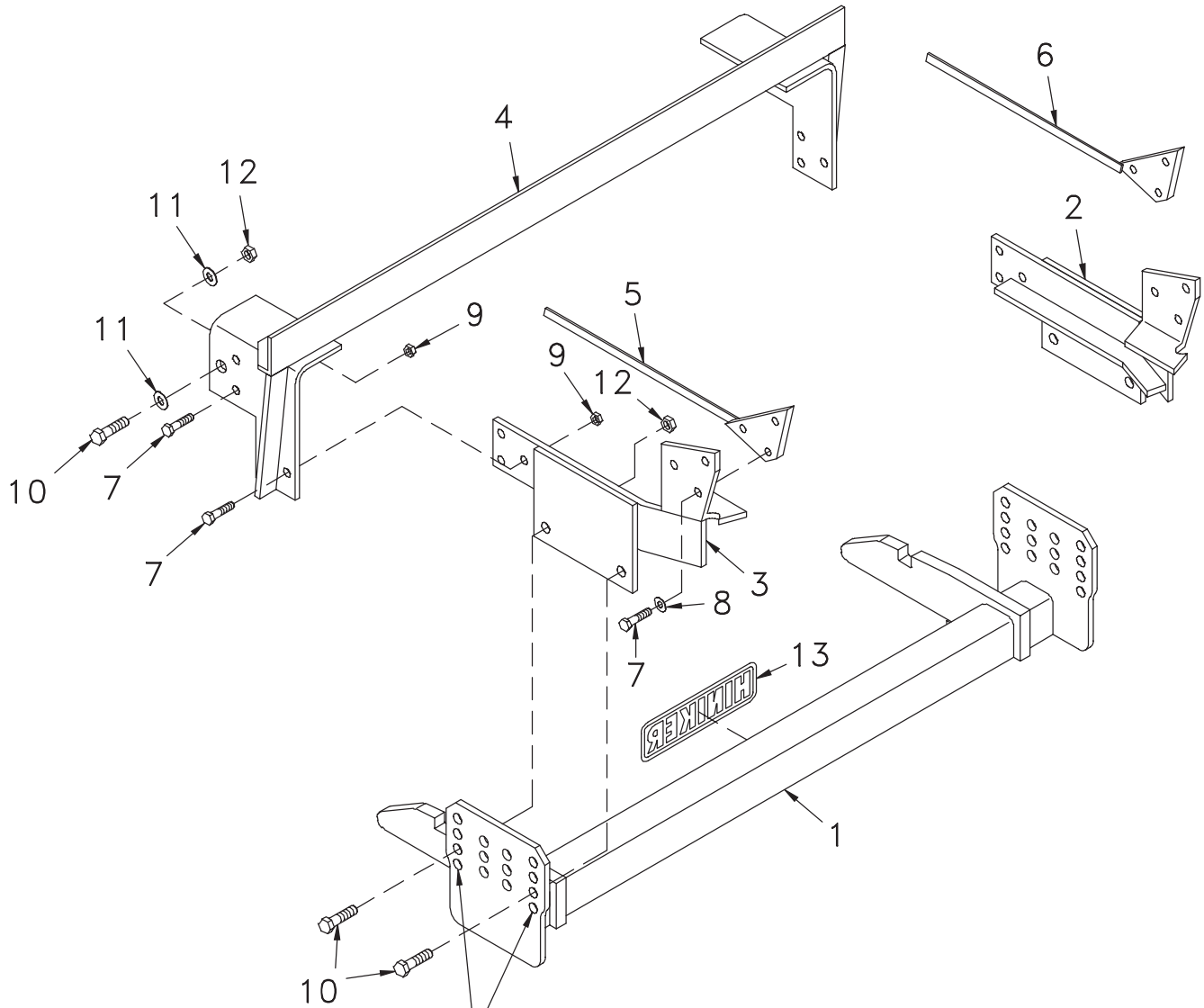
DWG. NO. 3063C

REF. NO.	PART NUMBER	DESCRIPTION	QTY.	REF. NO.	PART NUMBER	DESCRIPTION	QTY.
1A	25010177	Prong Weldment	1	8	950-001-132	Hex Head Cap Screw 5/8-11 x 1 3/4 Gr. 5	18
1B	25012896	Prong Weldment - QH2	1	9	950-001-125	Hex Head Cap Screw 1/2-13 x 1 1/2 Gr. 5	12
2	25010179	Front Bracket Weldment	1	10	952-001-004	Lock Washer 1/2 Inch	8
3	25010485	Mount Frame Weldment	1	11	952-002-007	Flat Washer 5/8 Inch	8
4	25010478	LH Bracket	1	12	951-003-009	Lock Nut 1/2-13 Nylon Insert	4
5	25010479	RH Bracket	1	13	060756	Lock Nut 5/8-11 Nylon Insert	18
6	25010173	RH Nut Weldment	2	14	25010008	Hiniker Decal	1
7	25010174	LH Nut Weldment	2		25011167	Bolt Bag	

TRUCK MOUNT KITS

MOUNT KIT: FORD 4X4
1992-1996 F150

SEC
14



BOTTOM SET OF HOLES CANNOT BE USED ON THIS MODEL TRUCK

Mount Kit 25010254

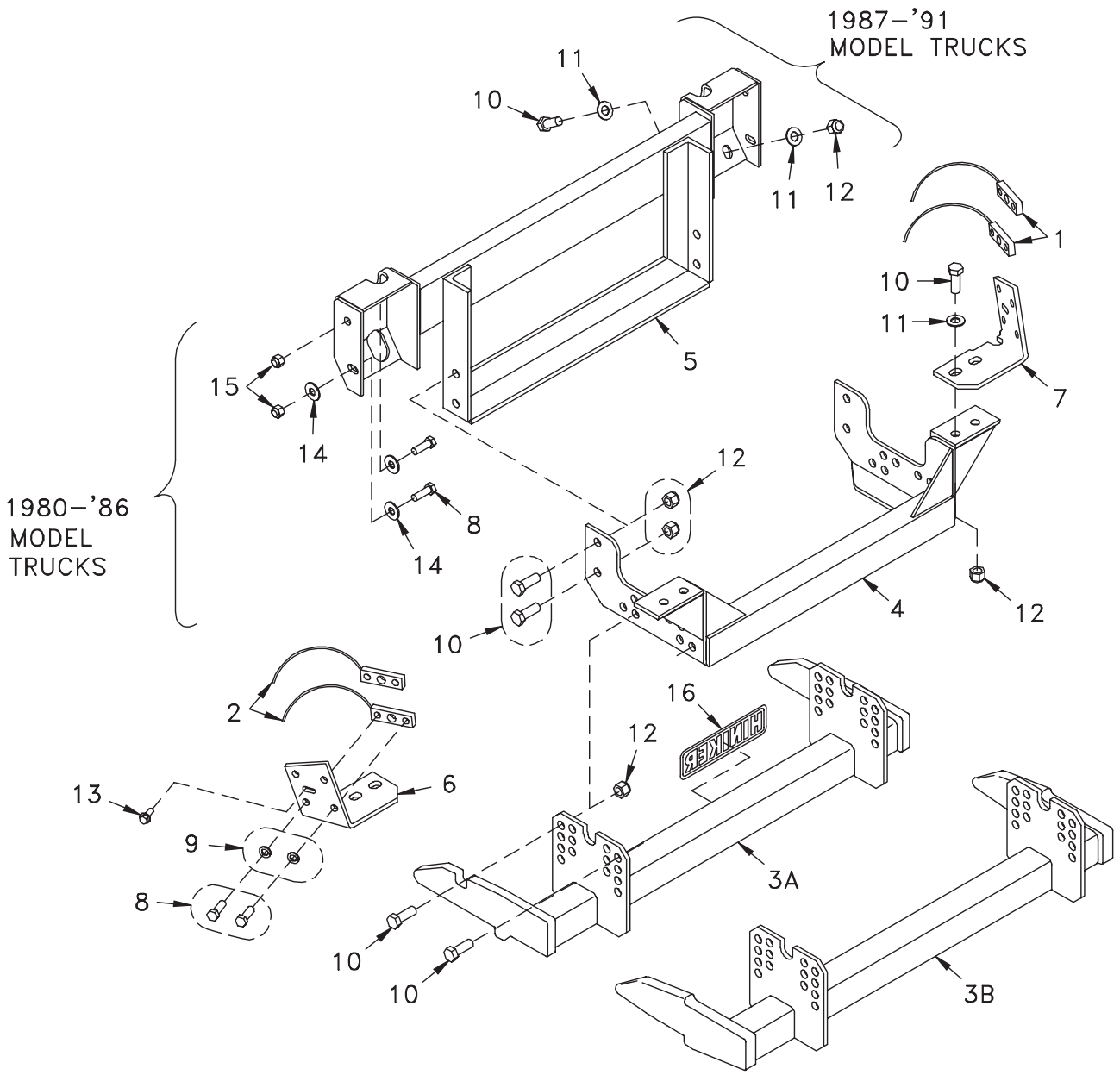
DWG. NO. 3069A

REF. NO.	PART NUMBER	DESCRIPTION	QTY.	REF. NO.	PART NUMBER	DESCRIPTION	QTY.
1	25010150	Prong Weldment	1	8	952-001-004	Lock Washer 1/2 Inch	6
2	25010157	RH Side Bracket Weldment	1	9	951-003-009	Lock Nut 1/2-13 Nylon Insert	10
3	25010158	LH Side Bracket Weldment	1	10	950-001-132	Hex Head Cap Screw 5/8-11 x 1 3/4 Gr. 5	6
4	25010165	Front Mount Weldment	1	11	952-002-007	Flat Washer 5/8 Inch	4
5	25010152	LH Nut Weldment	1	12	060756	Lock Nut 5/8-11 Nylon Insert	6
6	25010151	RH Nut Weldment	1	13	25010008	Hiniker Decal	1
7	950-001-125	Hex Head Cap Screw 1/2-13 x 1 1/2 Gr. 5	16		25011170	Bolt Bag	1

TRUCK MOUNT KITS

MOUNT KIT: FORD 4X4
1980-1991 F150-F250-F350

SEC
14



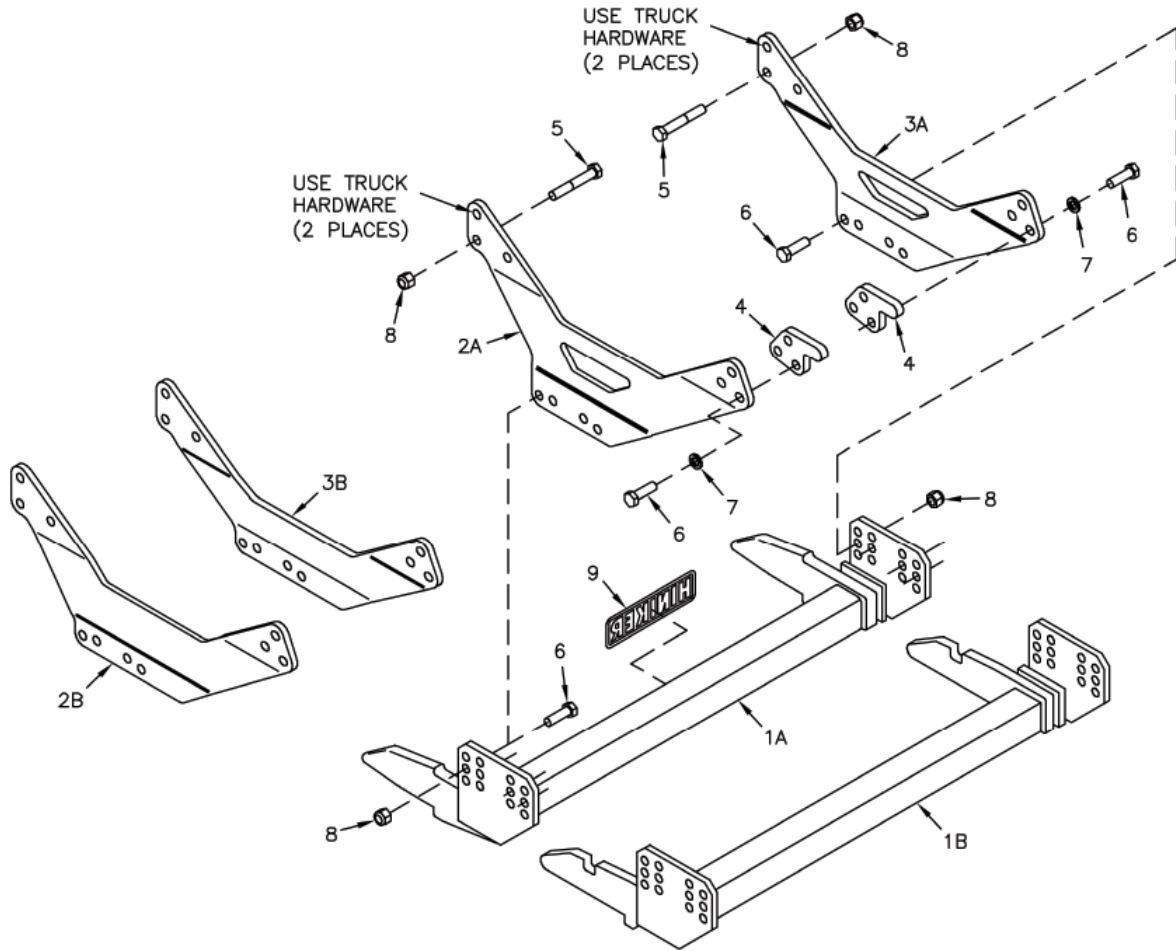
Mount Kit 25010253
QH2 Mount Kit 25012866

DWG. NO. 3060C

REF. NO.	PART NUMBER	DESCRIPTION	QTY.	REF. NO.	PART NUMBER	DESCRIPTION	QTY.
1	25010173	RH Nut Weldment	2	9	952-001-004	Lock Washer 1/2 Inch	8
2	25010174	LH Nut Weldment	2	10	950-001-132	Hex Head Cap Screw 5/8-11 x 1 3/4 Gr. 5	18
3A	25010177	Prong Weldment	1	11	952-003-003	SAE Flat Washer, 5/8 Inch	8
3B	25012896	Prong Weldment - QH2	1	12	060756	Lock Nut 5/8-11 Nylon Insert	18
4	25010488	Mount Frame Weldment	1	13	950-005-026	Self Tapping Screw 3/8-16 x 1 Hex Washer Head	2
5	25010266	Front Mount Weldment	1	14	952-002-005	Flat Washer 1/2 Inch	6
6	25010272	LH Bracket	1	15	951-003-009	Lock Nut 1/2-13 Nylon Insert	4
7	25010273	RH Bracket	1	16	25010008	Hiniker Decal	1
8	950-001-125	Hex Head Cap Screw 1/2-13 x 1 1/2 Gr. 5	12	25011162	Bolt Bag		

TRUCK MOUNT KITS

MOUNT KIT: CHEV/GMC 4X4, 4X2
2019 & NEWER 4500/5500/6500



SEC
14

4WD Mount Kit 25014079
4WD QH2 Mount Kit 25014078
2WD Mount Kit 25014081
2WD QH2 Mount Kit 25014080

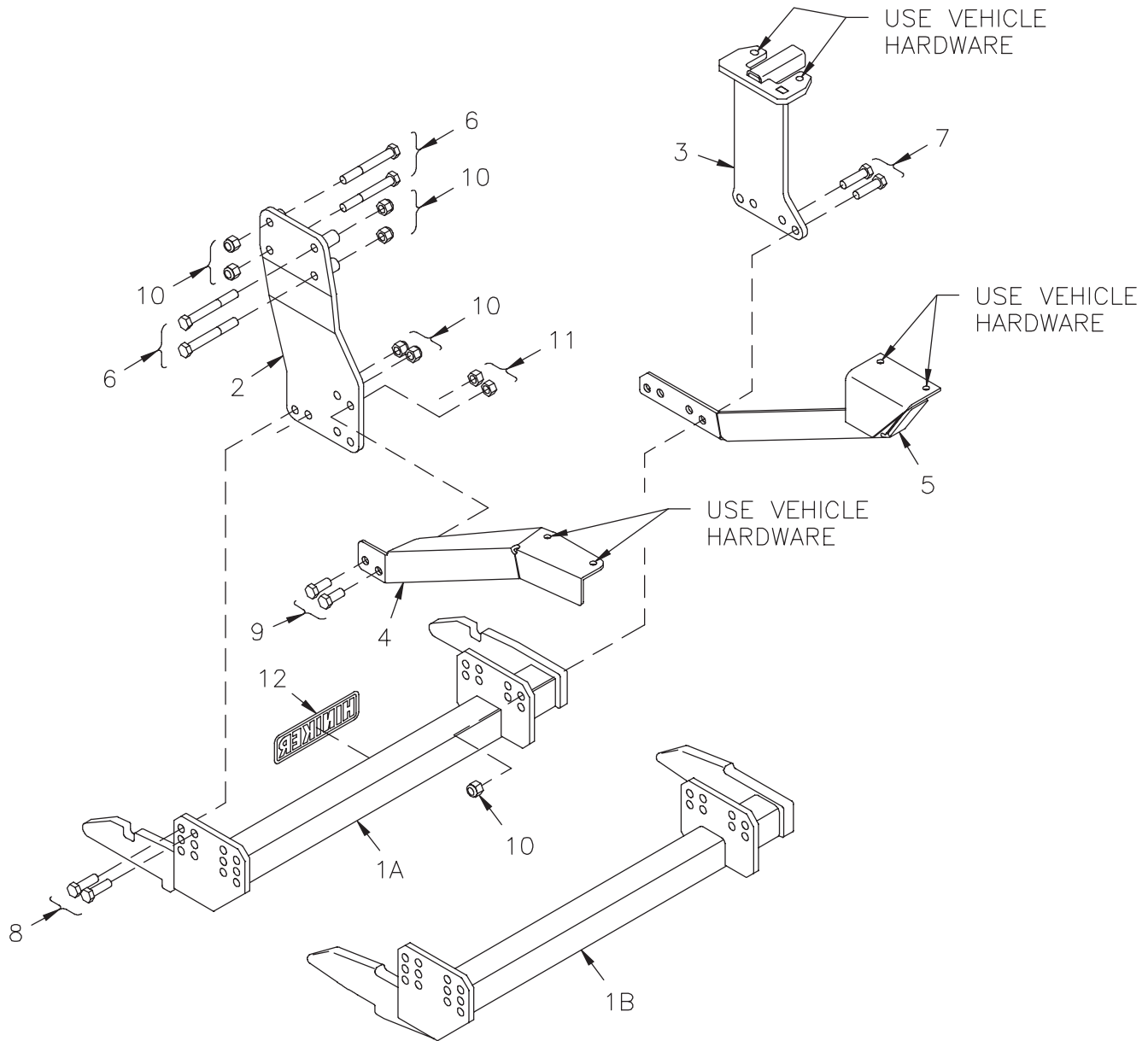
DWG. NO. 7732

REF. NO.	PART NUMBER	DESCRIPTION	QTY.	REF. NO.	PART NUMBER	DESCRIPTION	QTY.
1A	25012929	Prong Weldment - QH2	1	5	061902	Hex Head Cap Screw 5/8-11 x 4 Gr. 8	2
1B	25012124	Prong Weldment	1	6	950-001-023	Hex Head Cap Screw 5/8-11 x 2 Gr. 5	14
2A	25014082	LH Bracket 4WD	1	7	952-001-005	Lock Washer 5/8 Inch	6
2B	25014089	LH Bracket 2WD	1	8	060756	Lock Nut 5/8-11 Nylon Insert	10
3A	25014083	RH Bracket 4WD	1	9	25010008	Hiniker Decal	1
3B	25014090	RH Bracket 2WD	1		25014088	Bolt Bag	1
4	25014084	Nut Plate	2				

TRUCK MOUNT KITS

MOUNT KIT: CHEV/GMC 4X4 2003 - 2010 4500/5500

SEC
14



Mount Kit 25012023
QH2 Mount Kit 25012873

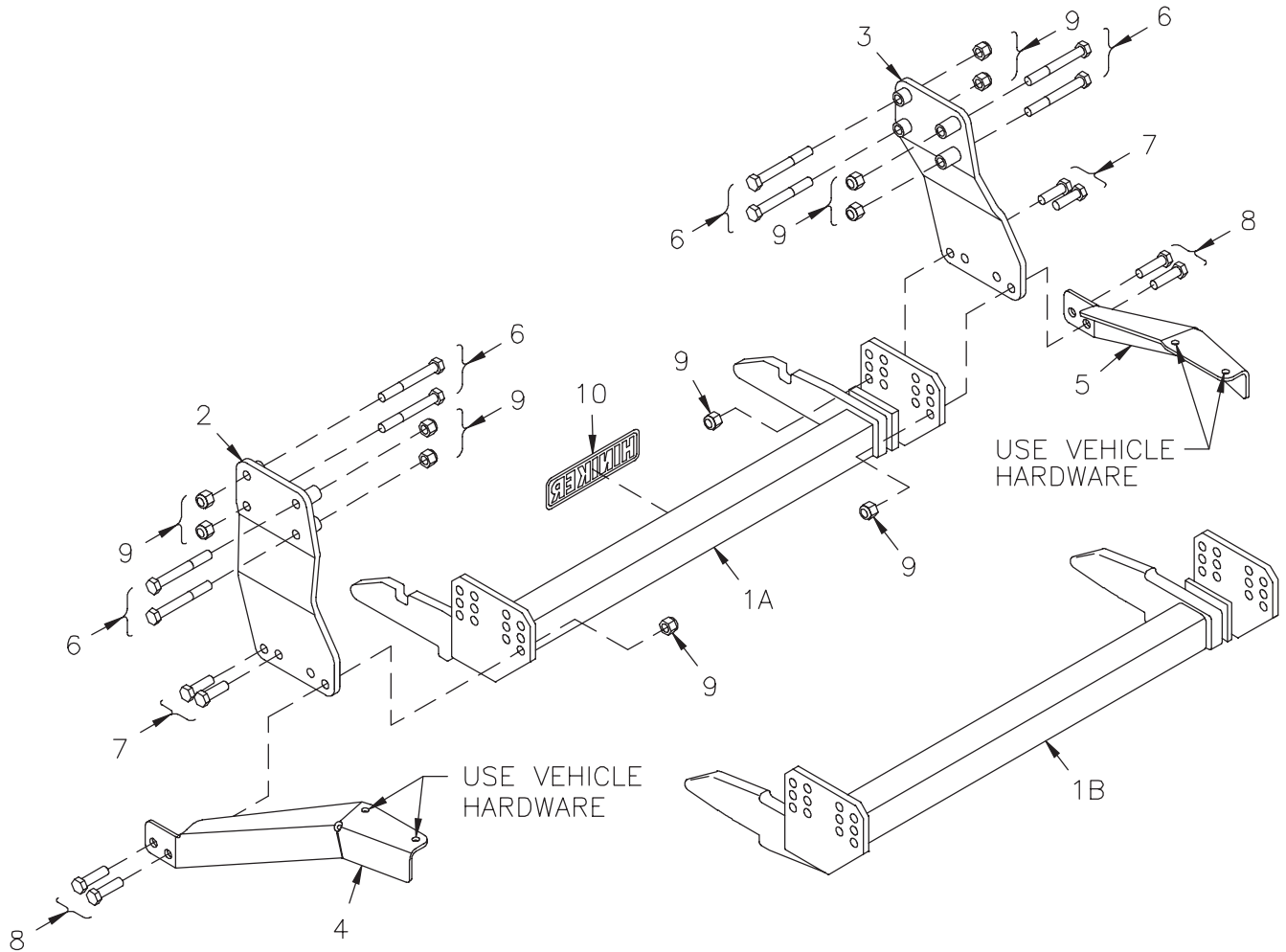
DWG. NO. 5861A

REF. NO.	PART NUMBER	DESCRIPTION	QTY.	REF. NO.	PART NUMBER	DESCRIPTION	QTY.
1A	25012132	Prong Weldment	1	7	950-001-185	Hex Head Cap Screw 5/8-11 x 2 1/4 Gr. 5	4
1B	25012932	Prong Weldment - QH2	1	8	950-001-023	Hex Head Cap Screw 5/8-11 x 2 Gr. 5	4
2	25012133	LH Side Plate Weldment	1	9	950-001-323	Hex Head Cap Screw 5/8-11 x 1 1/2 Gr. 5	2
3	25012134	RH Side Plate Weldment	1	10	060756	Lock Nut 5/8-11 Nylon Insert	12
4	25012135	LH Rear Brace	1	11	951-005-044	Lock Nut 5/8-11, 2-Way	2
5	25012136	RH Rear Brace Weldment	1	12	25010008	Hiniker Decal	1
6	061976	Hex Head Cap Screw 5/8-11 x 5 Gr. 8	4		25012138	Bolt Bag	1

TRUCK MOUNT KITS

MOUNT KIT: CHEV/GMC 4X2
2003 - 2010 4500/5500

SEC
14



Mount Kit 25012122
QH2 Mount Kit 25012872

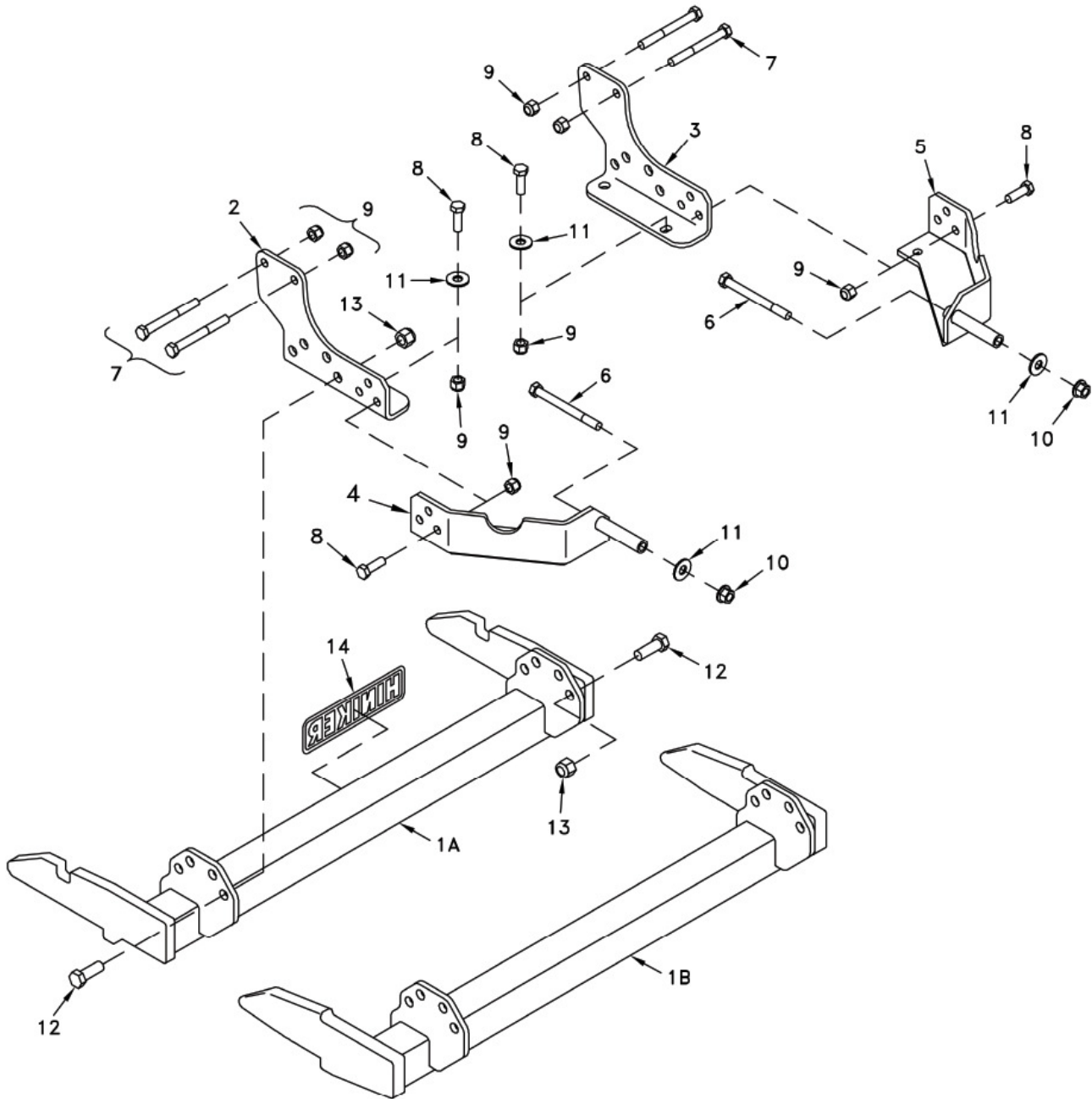
DWG. NO. 5860A

REF. NO.	PART NUMBER	DESCRIPTION	QTY.	REF. NO.	PART NUMBER	DESCRIPTION	QTY.
1A	25012124	Prong Weldment	1	6	061976	Hex Head Cap Screw 5/8-11 x 5 Gr. 8	8
1B	25012929	Prong Weldment - QH2	1	7	950-001-023	Hex Head Cap Screw 5/8-11 x 2 Gr. 5	4
2	25012125	LH Side Plate Weldment	1	8	950-001-185	Hex Head Cap Screw 5/8-11 x 2 1/4 Gr. 5	4
3	25012126	RH Side Plate Weldment	1	9	060756	Lock Nut 5/8-11 Nylon Insert	16
4	25012127	LH Rear Brace	1	10	25010008	Hiniker Decal	1
5	25012128	RH Rear Brace	1		25012130	Bolt Bag	1

TRUCK MOUNT KITS

MOUNT KIT: CHEV/GMC 4X4
2020 & NEWER SILVERADO/SIERRA, 3500, 2500

SEC
14



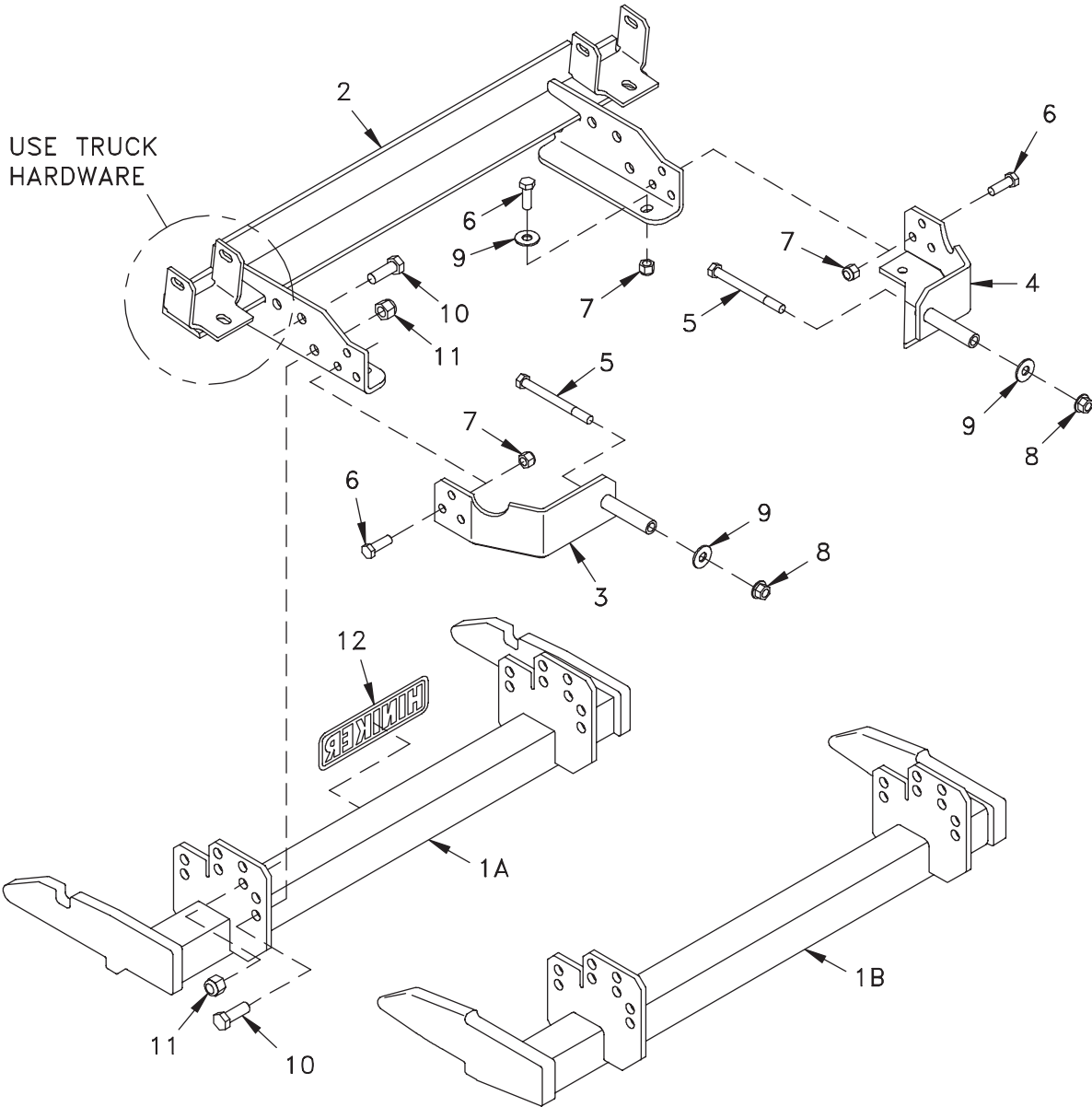
Mount Kit 25014093
QH2 Mount Kit 25014094

DWG. NO. 7765

REF. NO.	PART NUMBER	DESCRIPTION	QTY.	REF. NO.	PART NUMBER	DESCRIPTION	QTY.
1A	25014096	Prong Weldment	1	8	950-001-125	Hex Head Cap Screws 1/2-13 x 1 1/2 Gr. 5	8
1B	25014095	Prong Weldment - QH2	1	9	951-003-009	Lock Nut 1/2-13 Nylon Insert	12
2	25014097	LH Front Bracket	1	10	951-005-055	Lock Nut 1/2-13 Mac Lock	2
3	25014098	RH Front Bracket	1	11	952-004-067	Flat Washer 1/2 Inch Hardened	4
4	25014099	LH Rear Bracket Weldment	1	12	950-001-132	Hex Head Cap Screw 5/8-11 x 1 3/4 Gr. 5	8
5	25014100	RH Rear Bracket Weldment	1	13	060756	Lock Nut 5/8-11 Nylon Insert	8
6	950-001-271	Hex Head Cap Screw 1/2-13 x 5 1/4 Gr. 8	2	14	25010008	Hiniker Decal	1
7	950-001-369	Hex Head Cap Screw 1/2-13 x 4 1/2 Gr. 8	4		25012829	Bolt Bag	

TRUCK MOUNT KITS

MOUNT KIT: CHEV/GMC 4X4
2015-2019 SILVERADO/SIERRA, 3500, 2500



SEC
14

Mount Kit 25013353
QH2 Mount Kit 25013354

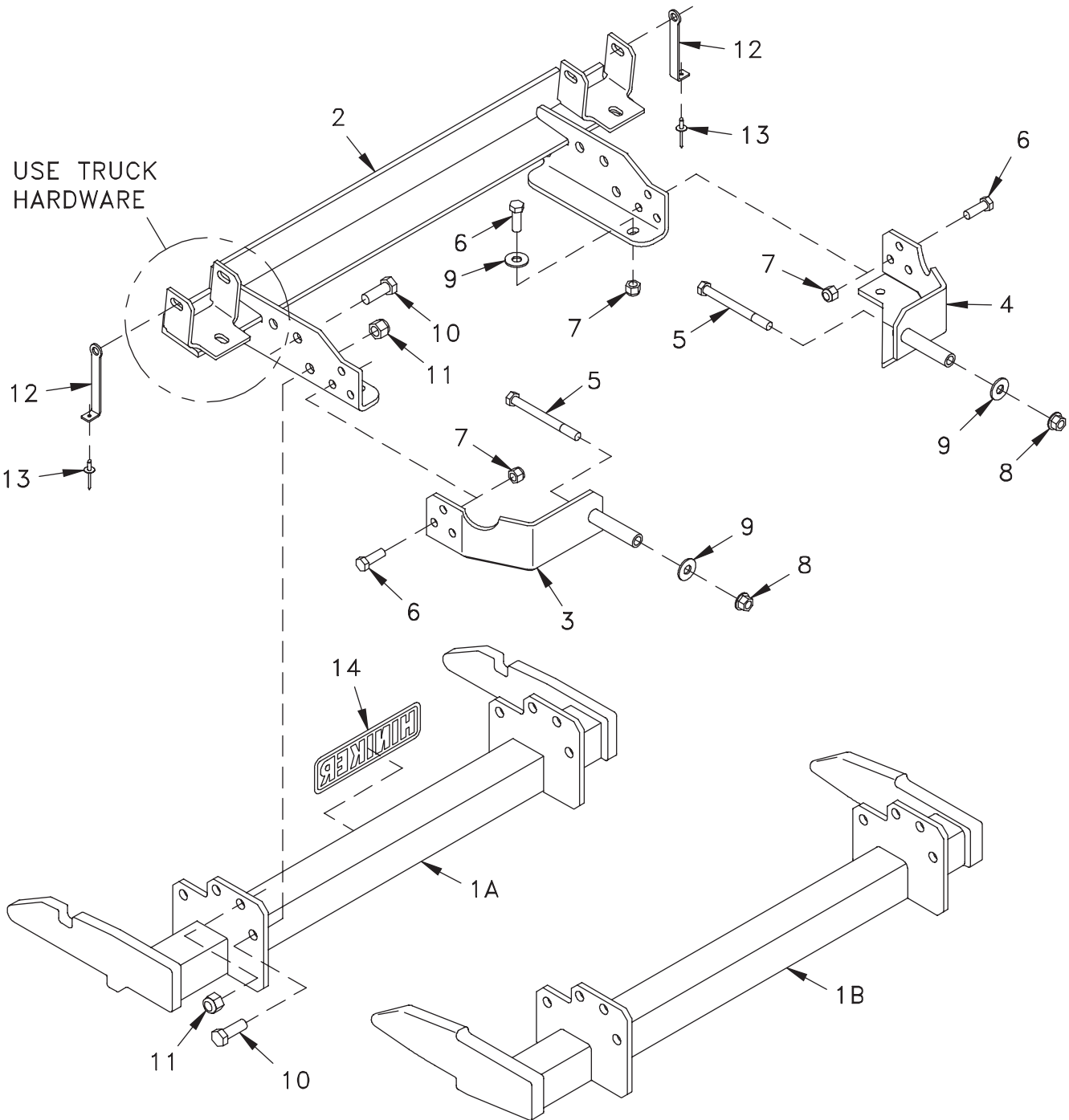
DWG. NO. 7141

REF. NO.	PART NUMBER	DESCRIPTION	QTY.	REF. NO.	PART NUMBER	DESCRIPTION	QTY.
1A	25013355	Prong Weldment	1	7	951-003-009	Lock Nut 1/2-13 Nylon Insert	8
1B	25013356	Prong Weldment - QH2	1	8	951-005-055	Lock Nut 1/2-13 Mac Lock	2
2	25013372	Front Frame Weldment	1	9	952-004-067	Flat Washer 1/2 Inch Hardened	4
3	25013373	LH Rear Bracket Weldment	1	10	950-001-132	Hex Head Cap Screw 5/8-11 x 1 3/4 Gr. 5	8
4	25013374	RH Rear Bracket Weldment	1	11	060756	Lock Nut 5/8-11 Nylon Insert	8
5	950-001-271	Hex Head Cap Screw 1/2-13 x 5 1/4 Gr. 8	2	12	25010008	Hiniker Decal	1
6	950-001-125	Hex Head Cap Screw 1/2-13 x 1 1/2 Gr. 5	8		25012829	Bolt Bag	

TRUCK MOUNT KITS

MOUNT KIT: CHEV/GMC 4X4
2011 - 2014 SILVERADO/SIERRA, 3500, 2500

SEC
14



Mount Kit 25012815
QH2 Mount Kit 25012870

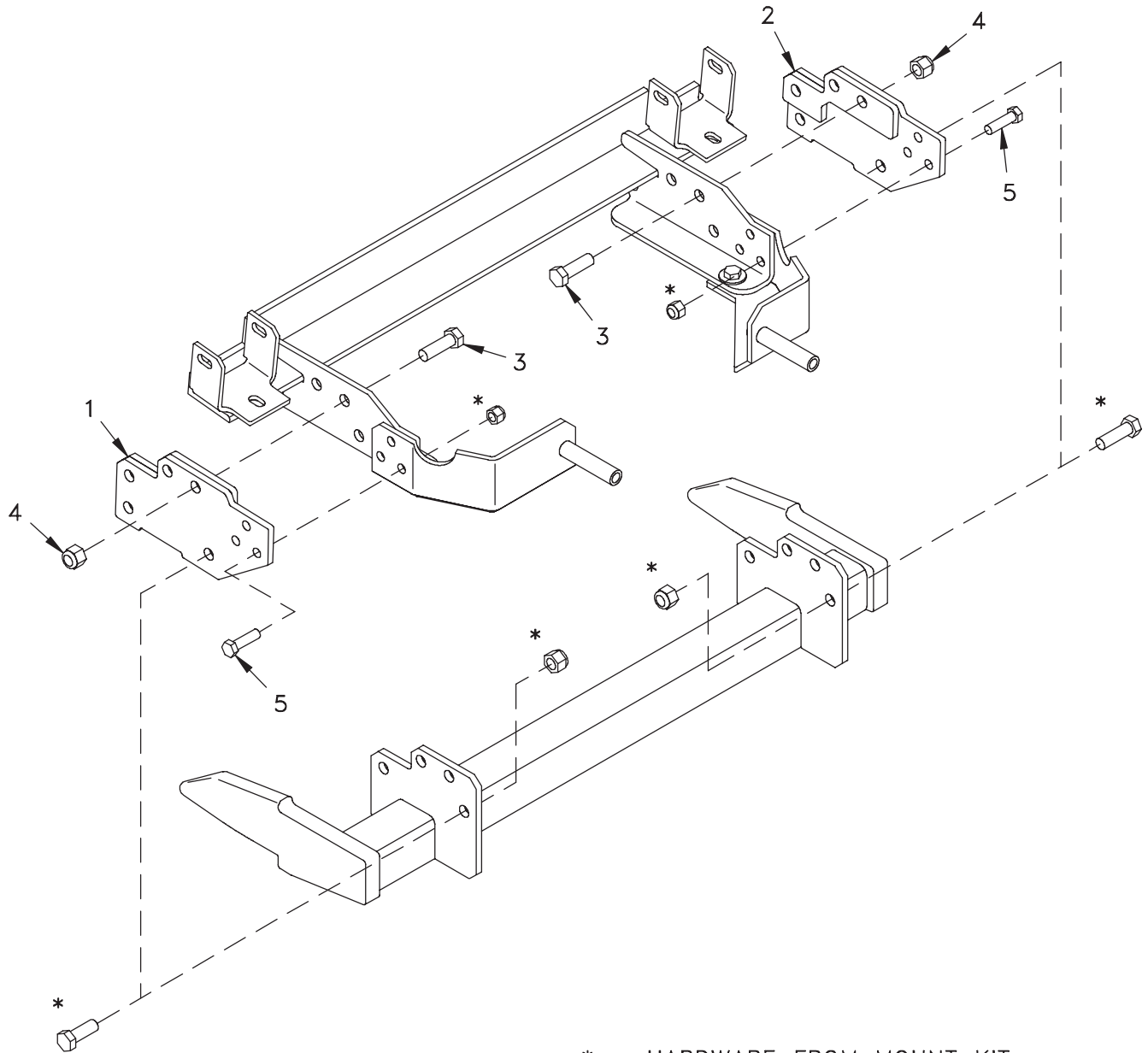
DWG. NO. 7140

REF. NO.	PART NUMBER	DESCRIPTION	QTY.	REF. NO.	PART NUMBER	DESCRIPTION	QTY.
1A	25011179	Prong Weldment	1	8	951-005-055	Lock Nut 1/2-13 Mac Lock	2
1B	25012921	Prong Weldment - QH2	1	9	952-004-067	Flat Washer 1/2 Inch Hardened	2
2	25013372	Front Frame Weldment	1	10	950-001-132	Hex Head Cap Screw 5/8-11 x 1 3/4 Gr. 5	8
3	25013373	LH Rear Bracket Weldment	1	11	060756	Lock Nut 5/8-11 Nylon Insert	8
4	25013374	RH Rear Bracket Weldment	1	12	25012218	Fascia Strap	2
5	950-001-271	Hex Head Cap Screw 1/2-13 x 5 1/4 Gr. 8	2	13	954-002-014	Pop Rivet 3/16 x 3/8	2
6	950-001-125	Hex Head Cap Screw 1/2-13 x 1 1/2 Gr. 5	6	14	25010008	Hiniker Decal	1
7	951-003-009	Lock Nut 1/2-13 Nylon Insert	6		25012829	Bolt Bag	

TRUCK MOUNT KITS

MOUNT BRACKET KIT: CHEV/GM 4X4
2011-2019 SILVERADO/SIERRA 3500, 2500
(USED WITH MOUNT KITS 25013353 / 25013354 AND 25012815 / 25012870)

SEC
14



* = HARDWARE FROM MOUNT KIT

Prong Adapter Kit No. 25013128

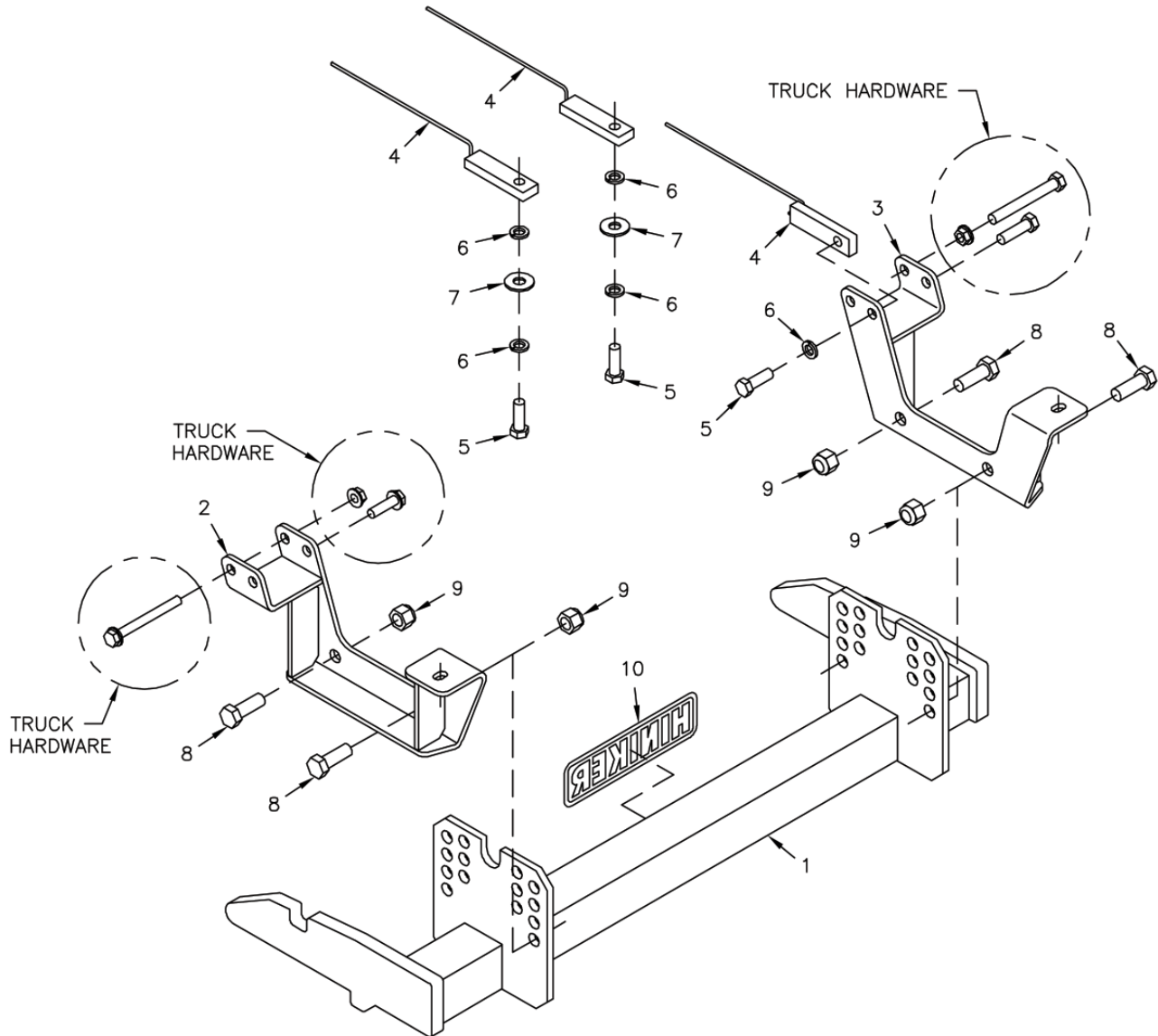
DWG. NO. 6762A

REF. NO.	PART NUMBER	DESCRIPTION	QTY.	REF. NO.	PART NUMBER	DESCRIPTION	QTY.
1	25013130	LH Adapter Plate Weldment	1	4	060756	Lock Nut 5/8-11 Nylon Insert	6
2	25013129	RH Adapter Plate Weldment	1	5	950-001-120	Hex Head Cap Screw 1/2-13 x 1 3/4 Gr. 5	6
3	950-001-023	Hex Head Cap Screw 5/8-11 x 2 Gr. 5	6				

TRUCK MOUNT KITS

MOUNT KIT: CHEV/GMC 4X4 2019 & NEWER SILVERADO/SIERRA 1500

SEC
14



Mount Kit 25014004

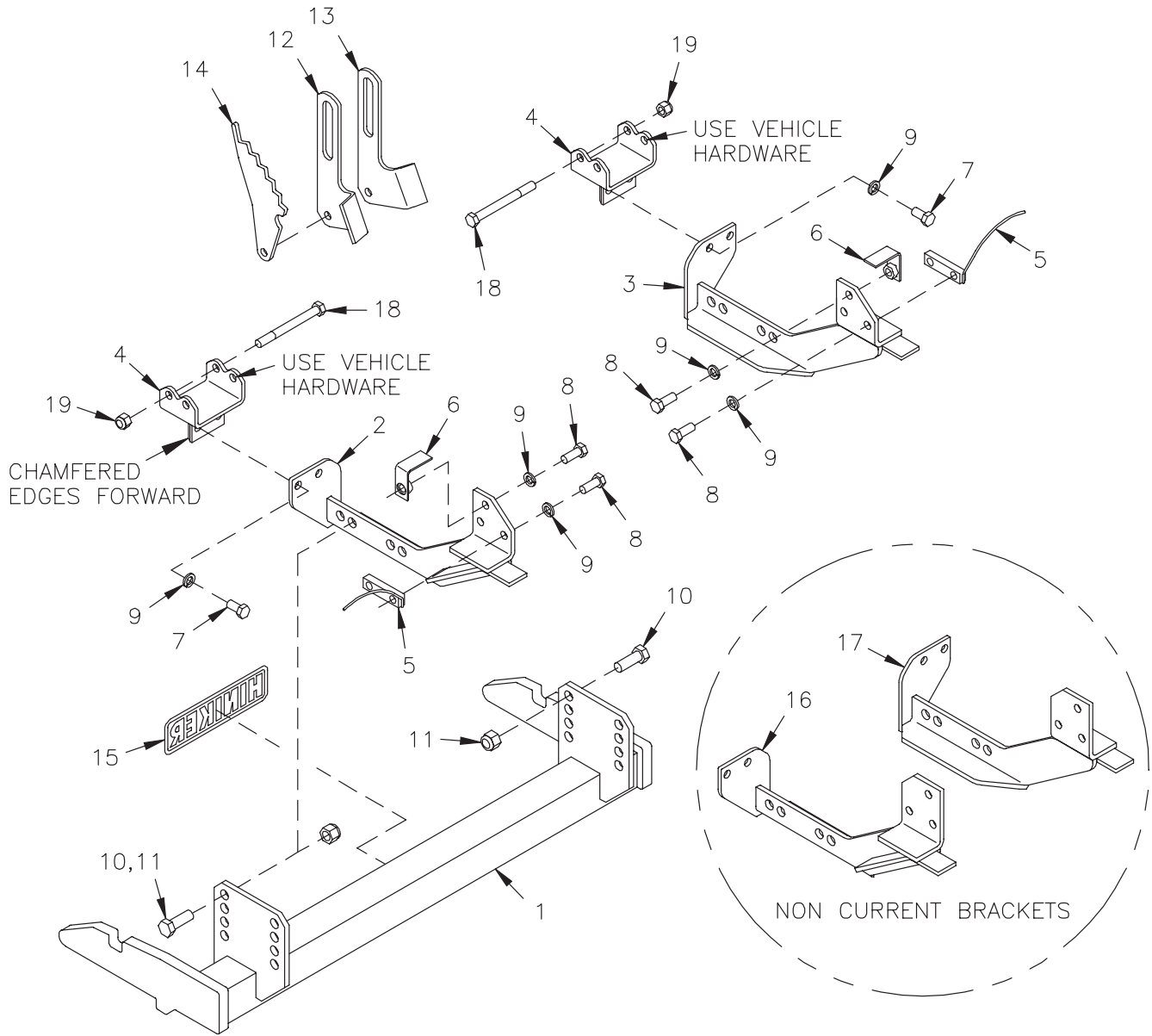
DWG. NO. 7672A

REF. NO.	PART NUMBER	DESCRIPTION	QTY.	REF. NO.	PART NUMBER	DESCRIPTION	QTY.
1	25010177	Prong Weldment	1	7	952-004-067	Flat Washer, 1/2 Inch Hardened	2
2	25014006	LH Bracket Weldment	1	8	950-001-087	Hex Head Cap Screw 5/8-11 x 1 1/2 Gr. 5	4
3	25014007	RH Bracket Weldment	1	9	060756	Lock Nut 5/8-11 Nylon Insert	4
4	25014008	Nut Bar Weldment	3	10	25010008	Hiniker Decal	1
5	950-001-182	Hex Head Cap Screw 1/2-13 x 1 1/2 Gr. 8	3		25014011	Bolt Bag	1
6	952-001-004	Lock Washer, 1/2 Inch	5				

TRUCK MOUNT KITS

MOUNT KIT: CHEV/GMC 4X4
2014 - 2018 1500 SILVERADO/SIERRA

SEC
14



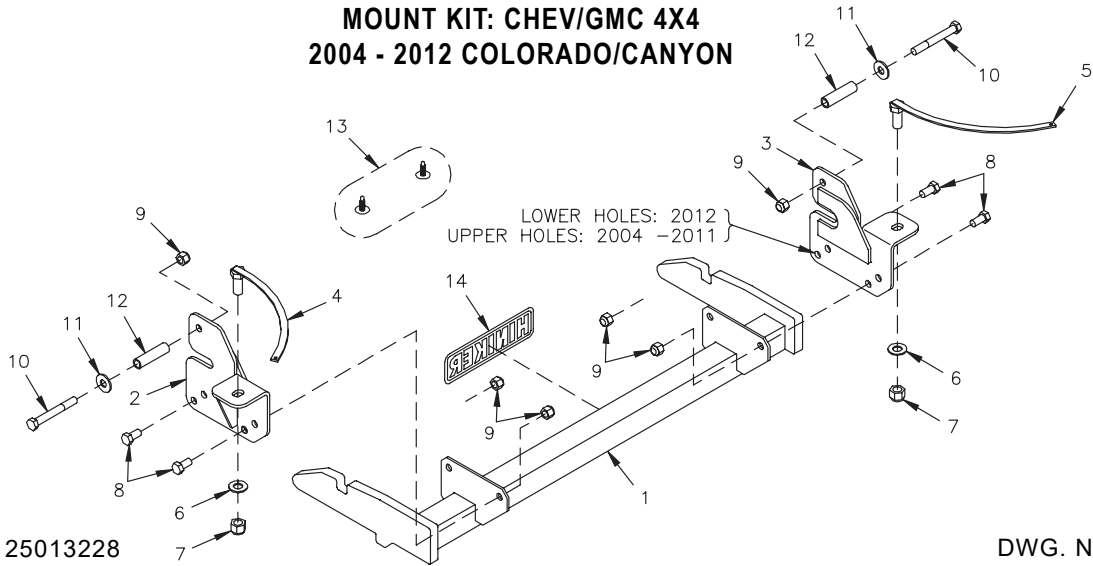
Mount Kit 25013567

DWG. NO. 7383A

REF. NO.	PART NUMBER	DESCRIPTION	QTY.	REF. NO.	PART NUMBER	DESCRIPTION	QTY.
1	25013316	Prong Weldment	1	11	060756	Lock Nut, 5/8-11 Nylon Insert	4
2	25013569	LH Side Bracket Weldment	1	12	25013330	LH Lower Lift Link	1
3	25013570	RH Side Bracket Weldment	1	13	25013331	RH Lower Lift Link	1
4	25013571	Front Bracket Weldment	2	14	25013332	Stop Plate	1
5	25013572	Nut Bar Weldment - 2" Centers	2	15	25010008	Hiniker Decal	1
6	25013573	Nut Bar Weldment	2	16	25013492	Non Current LH Side Bracket Weldment	1
7	950-001-231	Hex Head Cap Screw 1/2-13 x 1 Gr. 5	4	17	25013493	Non Current RH Side Bracket Weldment	1
8	950-001-111	Hex Head Cap Screw 1/2-13 x 1 1/4 Gr. 5	6	18	950-001-325	Hex Head Cap Screw 1/2-13 x 5 Gr. 8	2
9	952-001-004	Lock Washer, 1/2 Inch	10	19	951-003-009	Lock Nut 1/2-13 Nylon Insert	2
10	950-001-132	Hex Head Cap Screw 5/8-11 x 1 3/4 Gr. 5	4		25012207	Bolt Bag	1

TRUCK MOUNT KITS

MOUNT KIT: CHEV/GMC 4X4 2004 - 2012 COLORADO/CANYON



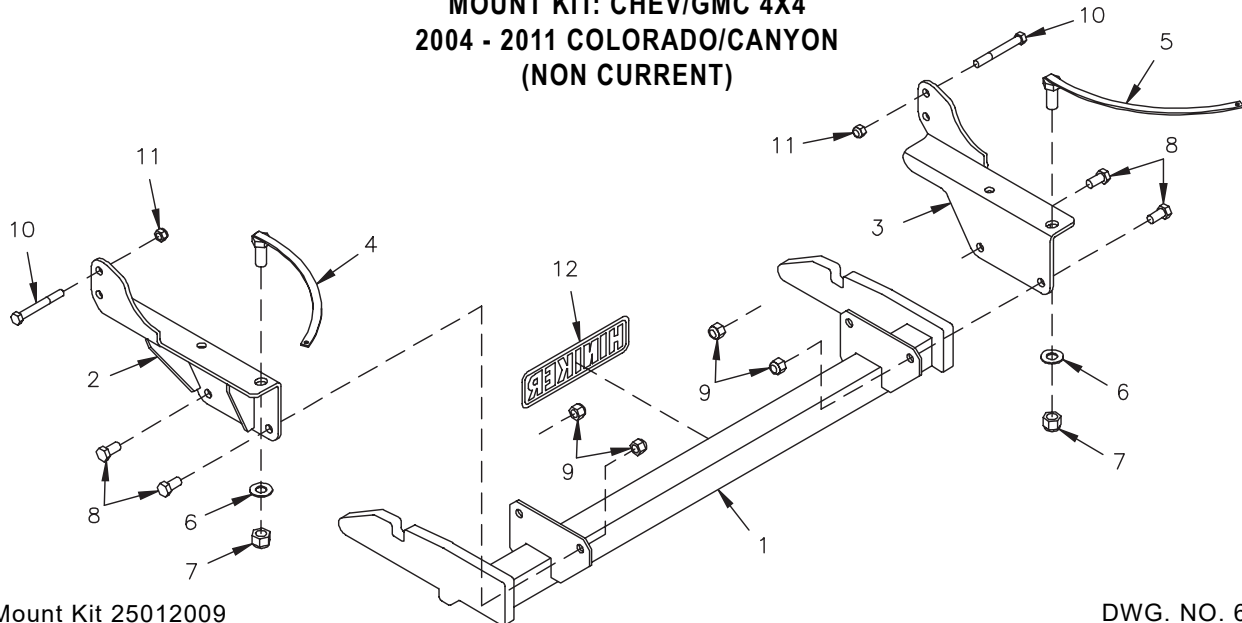
Mount Kit 25013228

DWG. NO. 6994

S E C
14

REF. NO.	PART NUMBER	DESCRIPTION	QTY.	REF. NO.	PART NUMBER	DESCRIPTION	QTY.
1	25013229	Prong Weldment	1	9	951-003-009	Lock Nut 1/2-13 Nylon Insert	6
2	25013230	LH Side Bracket Weldment	1	10	950-001-124	Hex Head Cap Screw 1/2-13 x 4 Gr. 5	2
3	25013231	RH Side Bracket Weldment	1	11	952-004-067	Flat Washer 1/2 Inch, Hardened	2
4	25012013	LH Side Bolt Weldment	1	12	25013232	Spacer Bushing	2
5	25012014	RH Side Bolt Weldment	1	13	25010499	Trim Panel Retainer	2
6	952-003-003	SAE Flat Washer 5/8 Inch	2	14	25010008	Hiniker Decal	1
7	060756	Lock Nut 5/8-11 Nylon Insert	2		25012007	Bolt Bag	1
8	950-001-111	Hex Head Cap Screw 1/2-13 x 1 1/4 Gr. 5	4				

MOUNT KIT: CHEV/GMC 4X4 2004 - 2011 COLORADO/CANYON (NON CURRENT)



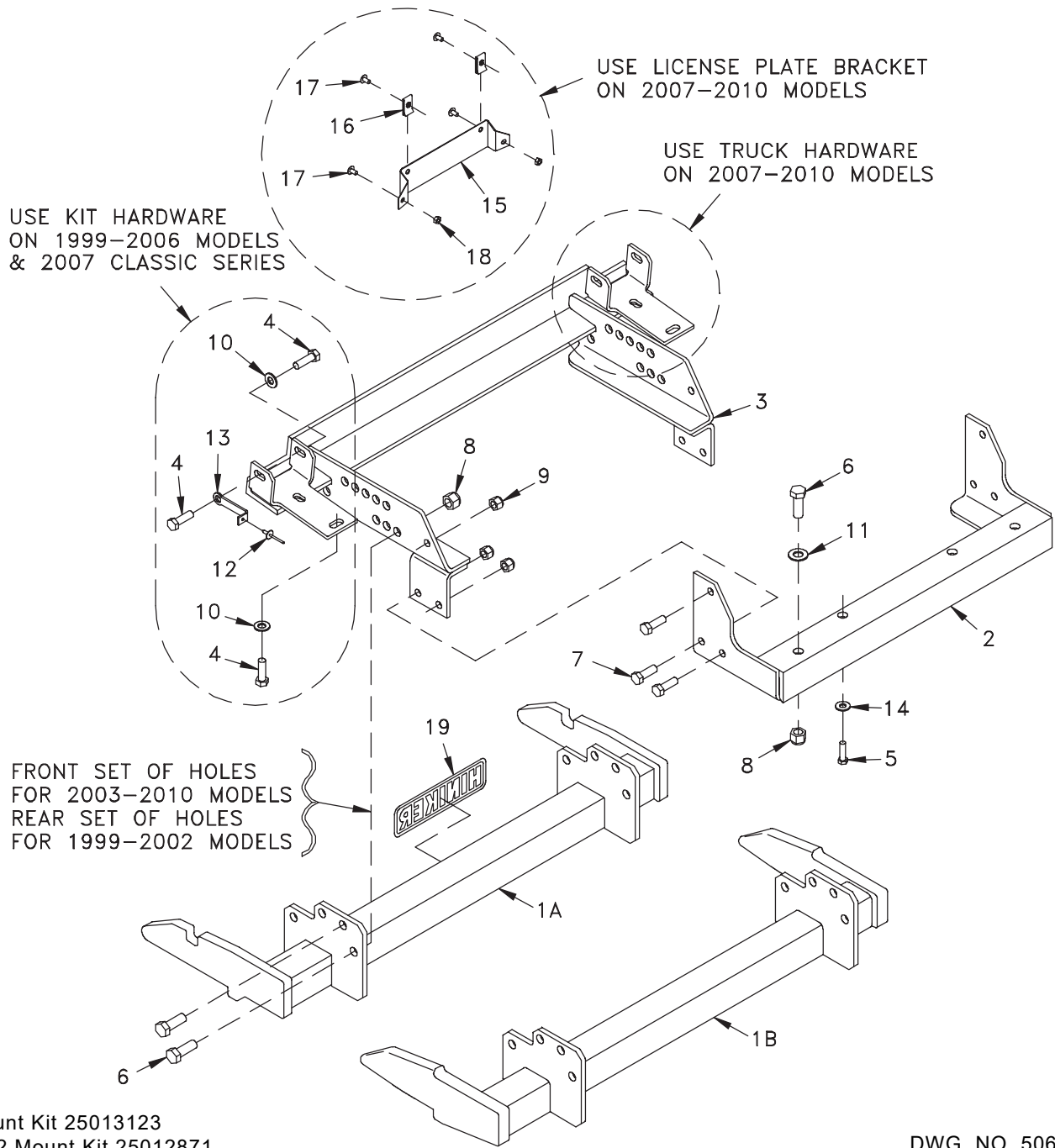
Mount Kit 25012009

DWG. NO. 6995

REF. NO.	PART NUMBER	DESCRIPTION	QTY.	REF. NO.	PART NUMBER	DESCRIPTION	QTY.
1	25012010	Prong Weldment	1	8	950-001-111	Hex Head Cap Screw 1/2-13 x 1 1/4 Gr. 5	4
2	25012011	LH Side Bracket Weldment	1	9	951-003-009	Lock Nut 1/2-13 Nylon Insert	4
3	25012012	RH Side Bracket Weldment	1	10	950-001-257	Hex Head Cap Screw 7/16-14 x 3 1/2 Gr. 5	4
4	25012013	LH Side Bolt Weldment	1	11	951-003-003	Lock Nut 7/16-14 Nylon Insert	4
5	25012014	RH Side Bolt Weldment	1	12	25010008	Hiniker Decal	1
6	952-003-003	SAE Flat Washer 5/8 Inch	2		25012007	Bolt Bag	1
7	060756	Lock Nut 5/8-11 Nylon Insert	2				

TRUCK MOUNT KITS

MOUNT KIT: CHEV/GMC 4X4 1999-2010 SILVERADO/SIERRA, 3500, 2500, 2500HD, 1500HD



SEC 14

Mount Kit 25013123
QH2 Mount Kit 25012871

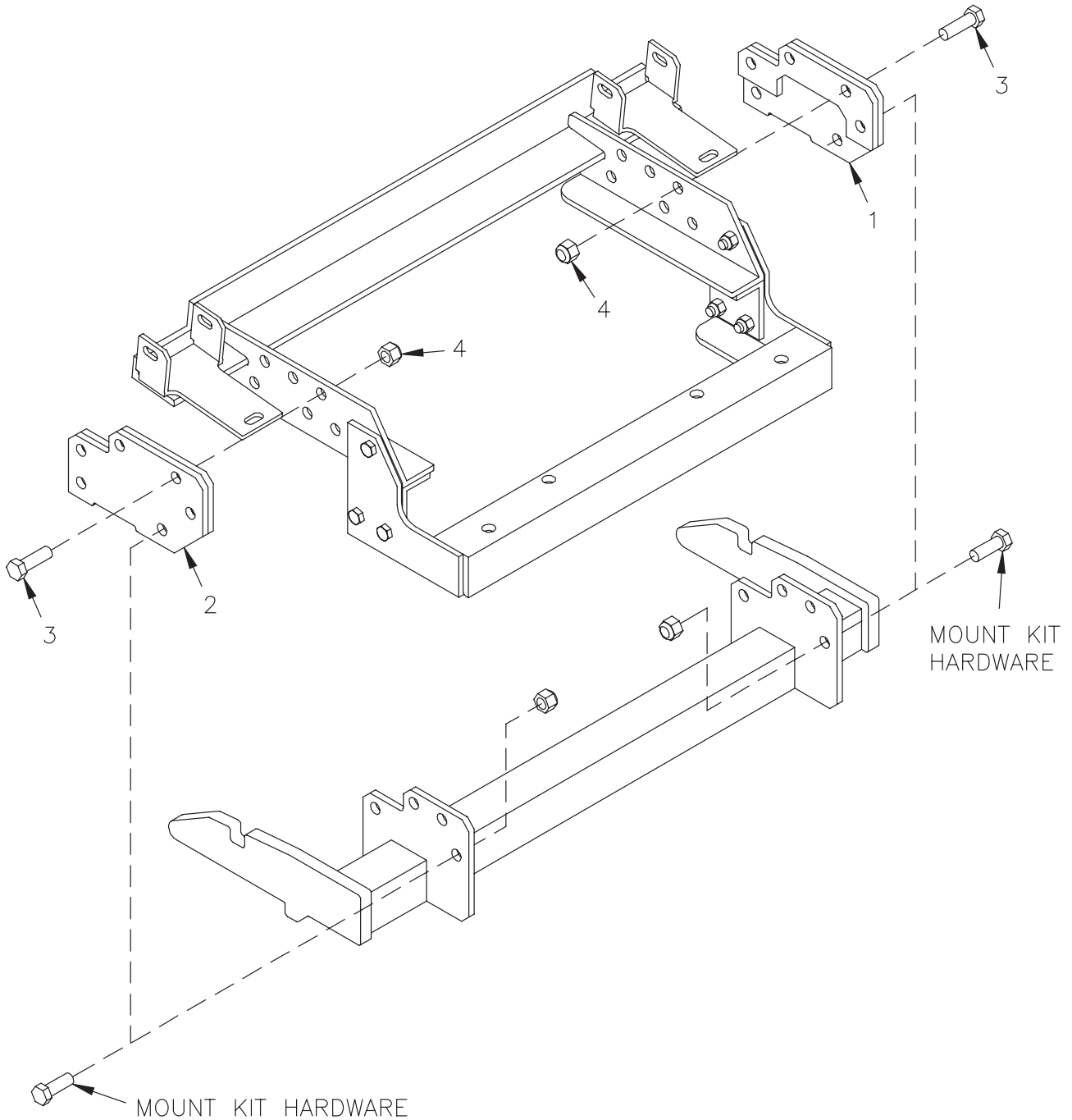
DWG. NO. 5062D

REF. NO.	PART NUMBER	DESCRIPTION	QTY.	REF. NO.	PART NUMBER	DESCRIPTION	QTY.
1A	25011179	Prong Weldment	1	11	952-003-003	SAE Flat Washer 5/8 Inch	2
1B	25012921	Prong Weldment - QH2	1	12	954-002-014	Pop Rivet 3/16 x 3/8	2
2	25011181	Rear Frame Weldment	1	13	25011190	Fascia Strap	2
3	25012924	Front Frame Weldment	1	14	952-002-003	Standard Flat Washer 3/8 Inch	2
4	950-011-046	Hex Head Cap Screw M12 x 1.75 x 40 Class 10.9	6	15	25012216	License Plate Bracket	1
5	950-011-058	Hex Head Cap Screw M10 x 1.5 x 35 Class 10.9	2	16	25012217	Clip Nut 1/4-20	2
6	950-001-132	Hex Head Cap Screw 5/8-11 x 1 3/4 Gr. 5	10	17	950-004-078	Machine Screw 1/4 x 1/2 Slotted Truss Head	4
7	950-001-125	Hex Head Cap Screw 1/2-13 x 1 1/2 Gr. 5	6	18	061278	Lock Nut 1/4-20 Kepts	2
8	060756	Lock Nut 5/8-11 Nylon Insert	10	19	25010008	Hiniker Decal	1
9	951-003-009	Lock Nut 1/2-13 Nylon Insert	6		25012236	Bolt Bag	
10	952-003-004	SAE Flat Washer 1/2 Inch	4				

TRUCK MOUNT KITS

MOUNT BRACKET KIT: CHEV/GMC 4X4
1999-2010 SILVERADO/SIERRA, 3500, 2500, 2500HD, 1500HD
(USED WITH GM MOUNT KITS 25012234, 25013123, 25012871)

SEC
14



Adapter Kit No. 25012645

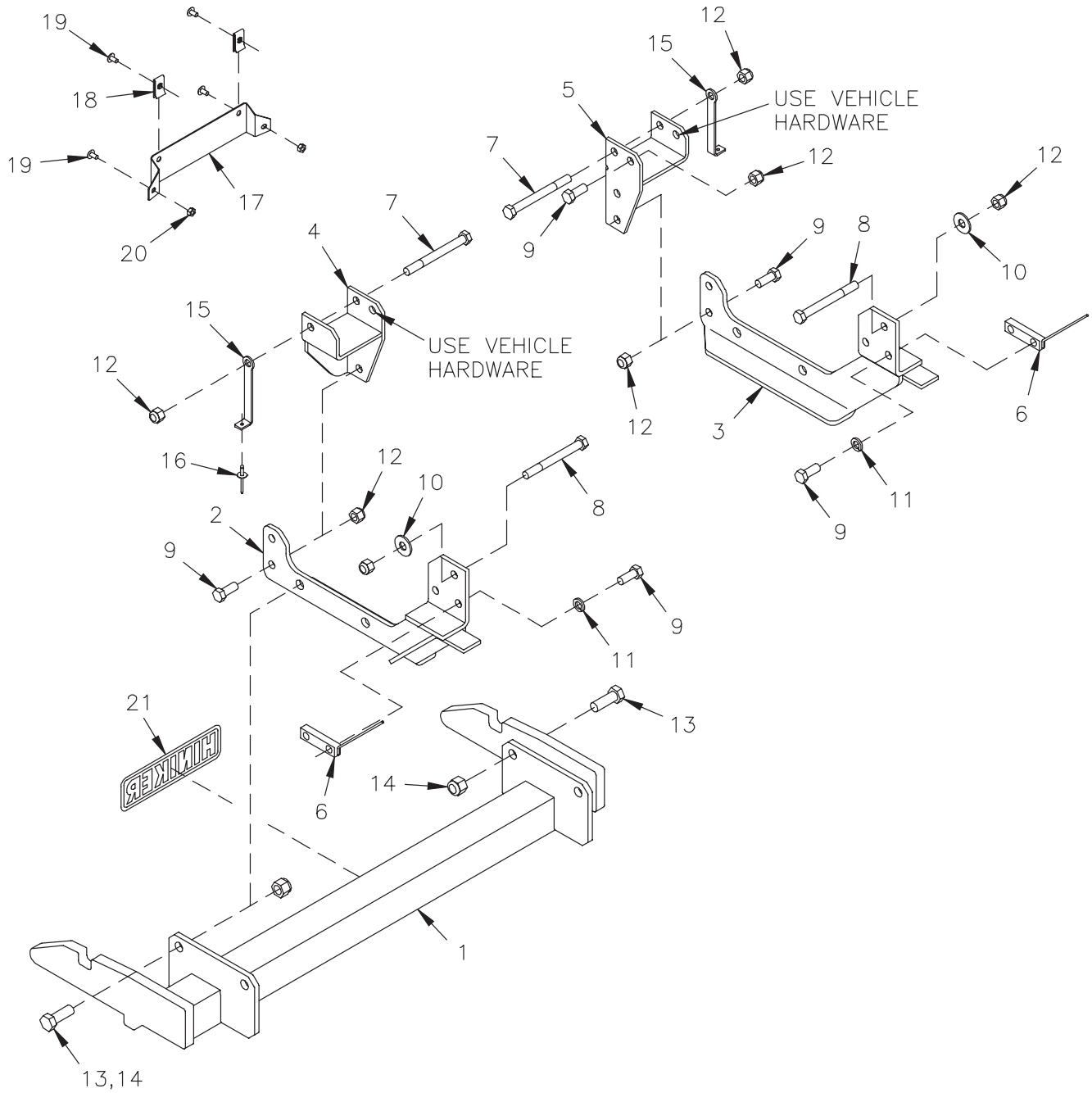
DWG. NO. 6451

REF. NO.	PART NUMBER	DESCRIPTION	QTY.	REF. NO.	PART NUMBER	DESCRIPTION	QTY.
1	25012643	RH Adapter Plate Weldment	1	3	950-001-023	Hex Head Cap Screw 5/8-11 x 2 Gr. 5	8
2	25012644	LH Adapter Plate Weldment	1	4	060756	Lock Nut 5/8-11 Nylon Insert	8

TRUCK MOUNT KITS

MOUNT KIT: CHEV/GMC 4X4
2007 - 2013 SILVERADO/SIERRA 1500

SEC
14



Mount Kit 25012206

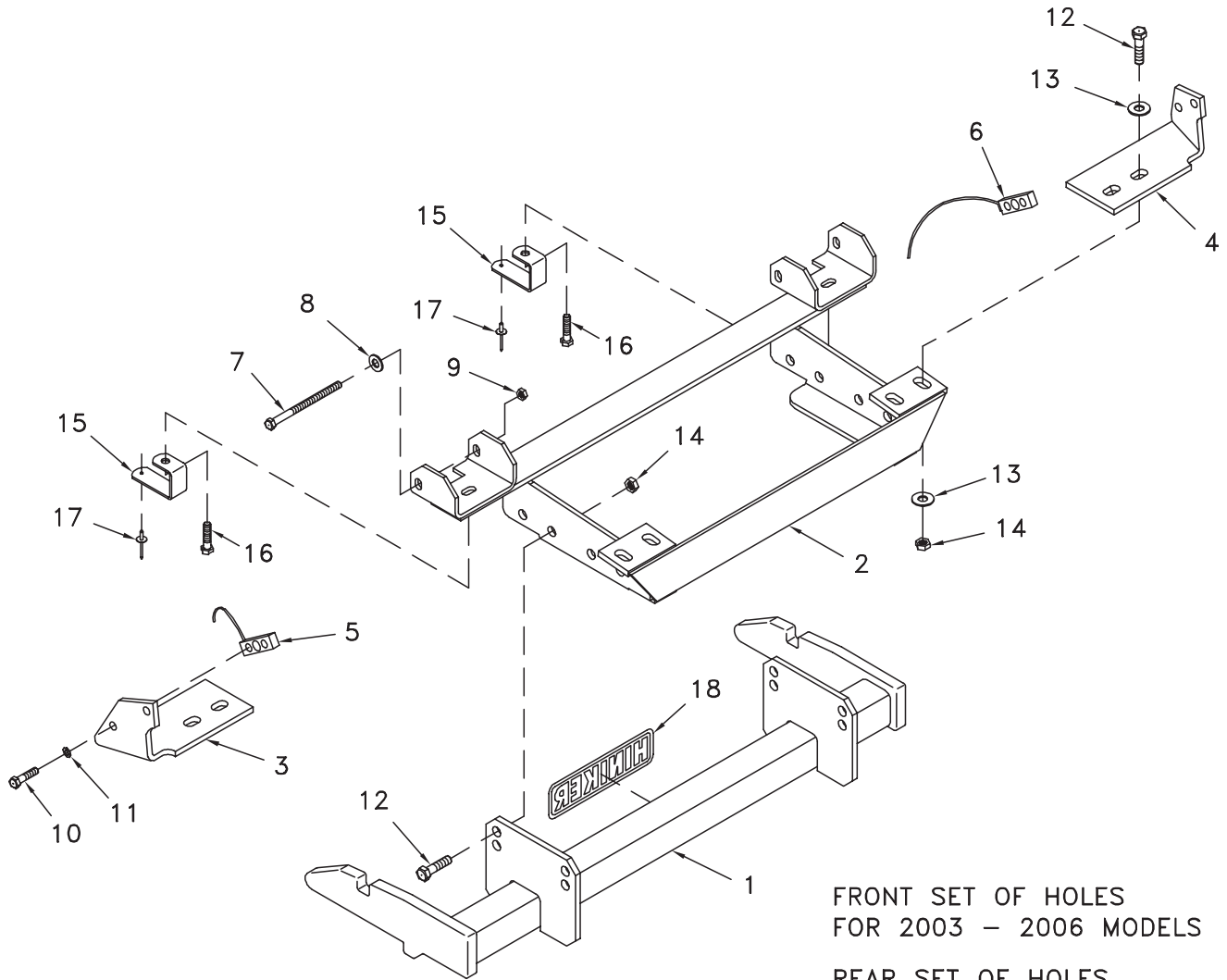
DWG. NO. 5947A

REF. NO.	PART NUMBER	DESCRIPTION	QTY.	REF. NO.	PART NUMBER	DESCRIPTION	QTY.
1	25012208	Prong Weldment	1	12	951-003-009	Lock Nut 1/2-13 Nylon Insert	9
2	25012209	LH Side Bracket Weldment	1	13	950-001-132	Hex Head Cap Screw 5/8-11 x 1 3/4 Gr. 5	4
3	25012210	RH Side Bracket Weldment	1	14	060756	Lock Nut 5/8-11 Nylon Insert	4
4	25012211	LH Front Bracket Weldment	1	15	25012218	Fascia Strap	2
5	25012212	RH Front Bracket Weldment	1	16	954-002-014	Pop Rivet 3/16 x 3/8	2
6	25013572	Nut Bar Weldment	2	17	25012216	License Plate Bracket	1
7	950-001-325	Hex Head Cap Screw 1/2-13 x 5 Gr. 8	2	18	25012217	Clip Nut 1/4-20	2
8	950-001-284	Hex Head Cap Screw 1/2-13 x 4 3/4 Gr. 5	2	19	950-004-078	Machine Screw 1/4 x 1/2 Slotted Truss Head	4
9	950-001-111	Hex Head Cap Screw 1/2-13 x 1 1/4 Gr. 5	9	20	061278	Lock Nut 1/4-20 Keps	2
10	952-004-067	Flat Washer 1/2 Inch Hardened	2	21	25010008	Hiniker Decal	1
11	952-001-004	Lock Washer 1/2 Inch	4		25012207	Bolt Bag	1

TRUCK MOUNT KITS

MOUNT KIT: CHEV/GMC 4X4
1999 - 2006 1500 SILVERADO/SIERRA

SEC
14



FRONT SET OF HOLES
FOR 2003 - 2006 MODELS

REAR SET OF HOLES
FOR 1999-2002 MODELS

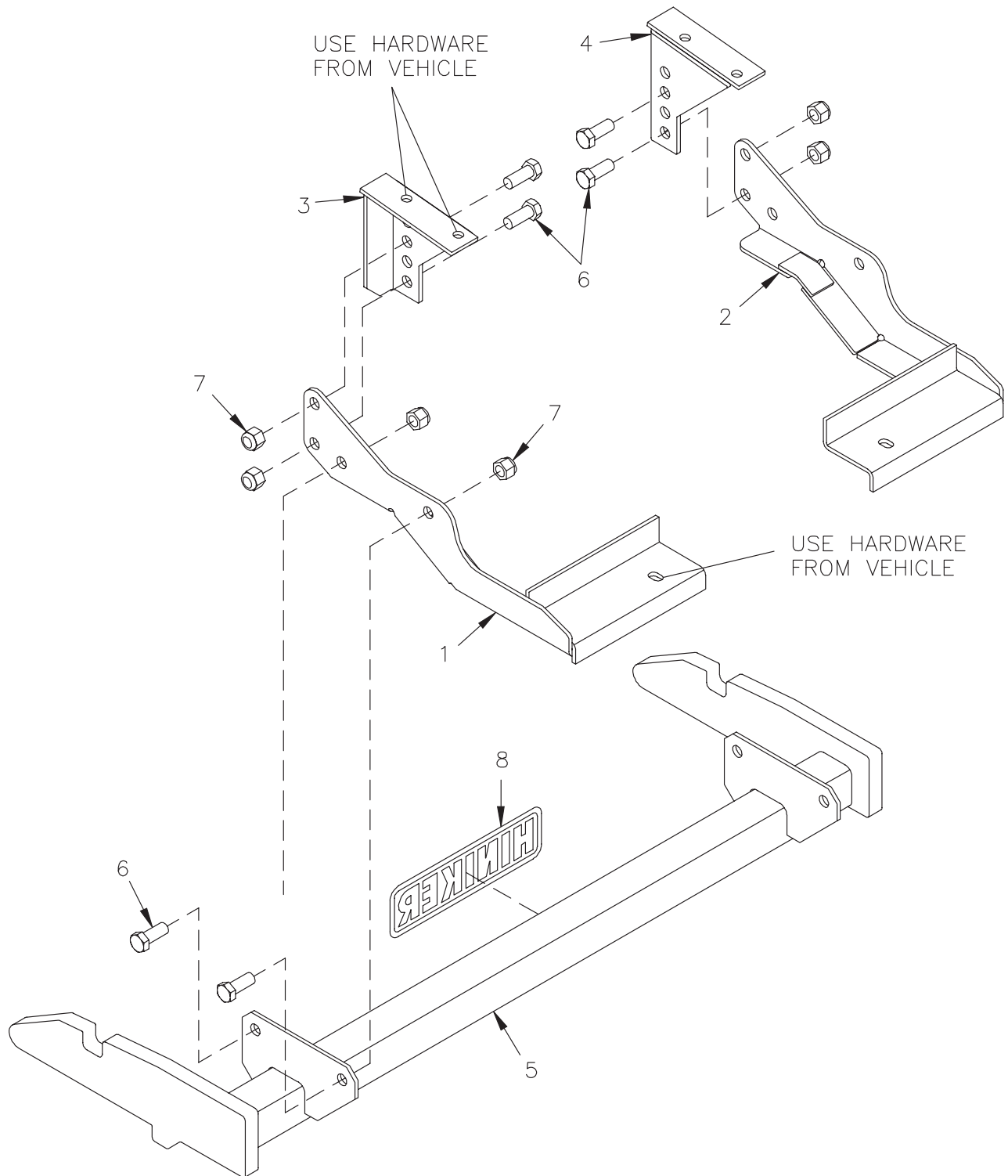
Mount Kit 25011229

DWG. NO. 5102A

REF. NO.	PART NUMBER	DESCRIPTION	QTY.	REF. NO.	PART NUMBER	DESCRIPTION	QTY.
1	25011237	Prong Weldment	1	11	952-001-004	Lock Washer 1/2 Inch	4
2	25011238	Frame Weldment	1	12	950-001-132	Hex Head Cap Screw 5/8-11 x 1 3/4 Gr. 5	8
3	25010597	LH Rear Bracket	1	13	952-003-003	SAE Flat Washer 5/8 Inch	8
4	25010598	RH Rear Bracket	1	14	060756	Lock Nut 5/8 Nylon Insert	8
5	25010174	LH Nut Weldment	1	15	25011236	Fascia Strap	2
6	25010173	RH Nut Weldment	1	16	950-011-046	Hex Head Cap Screw M12 x 1.75 x 40 Class 10.9	2
7	950-001-316	Hex Head Cap Screw 1/2-13 x 5 3/4 Gr. 5	2	17	954-002-014	Pop Rivet 3/16 x 3/8	2
8	952-003-004	SAE Flat Washer 1/2 Inch	2	18	25010008	Hiniker Decal	1
9	951-005-055	Lock Nut 1/2-13 Mac	2		25011239	Bolt Bag	1
10	950-001-125	Hex Head Cap Screw 1/2-13 x 1 1/2 Gr. 5	4				

TRUCK MOUNT KITS

MOUNT KIT: CHEV/GMC 4X4
1995 - 2003 S10/SONOMA



SEC
14

Mount Kit 25012022

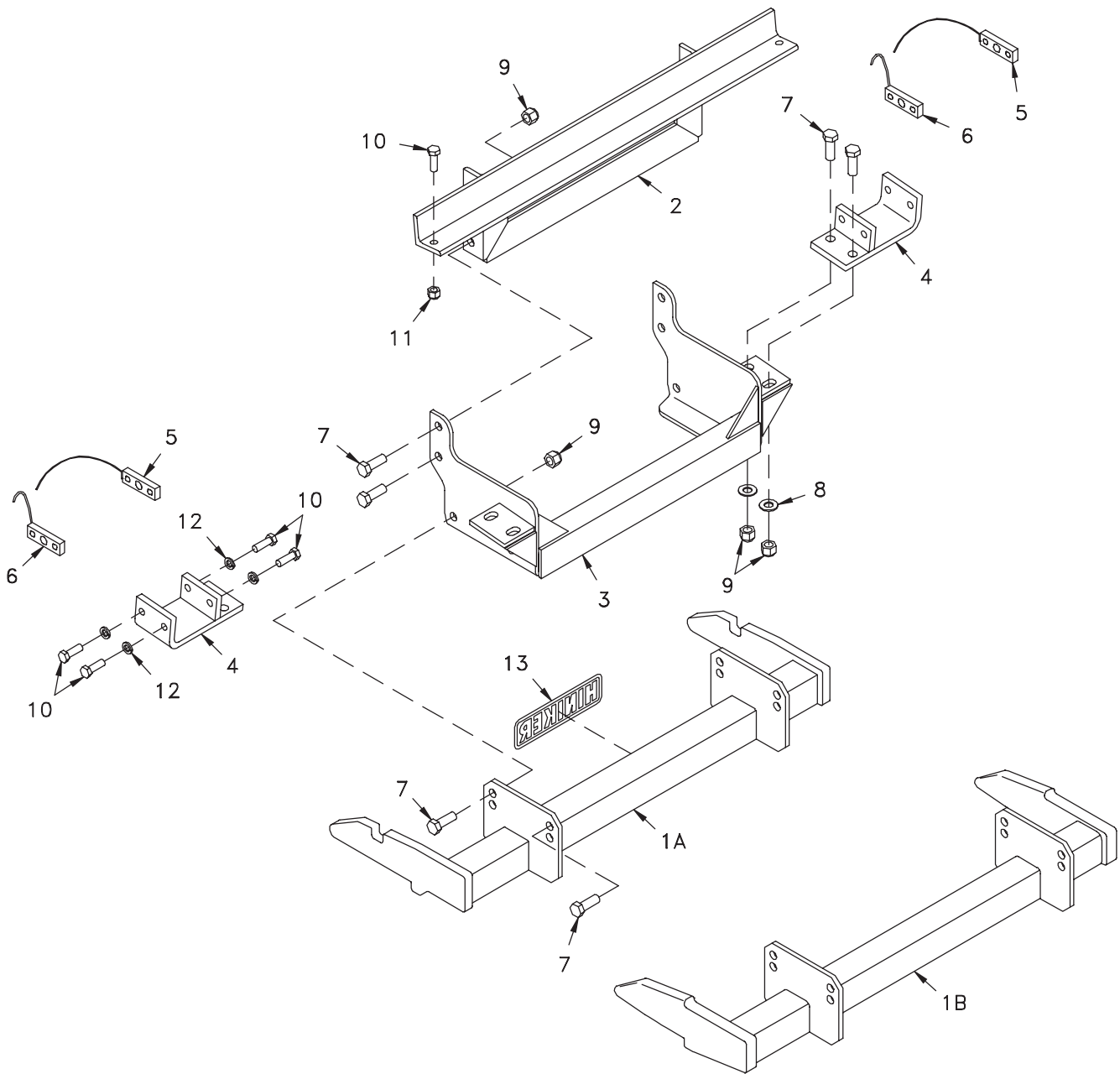
DWG. NO. 5852A

REF. NO.	PART NUMBER	DESCRIPTION	QTY.	REF. NO.	PART NUMBER	DESCRIPTION	QTY.
1	25012197	LH Side Bracket Weldment	1	6	950-001-111	Hex Head Cap Screw 1/2-13 x 1 1/4 Gr. 5	8
2	25012198	RH Side Bracket Weldment	1	7	951-003-009	Lock Nut 1/2-13 Nylon Insert	8
3	25012199	LH Front Bracket Weldment	1	8	25010008	Hiniker Decal	1
4	25012200	RH Front Bracket Weldment	1		25012099	Bolt Bag	1
5	25012097	Prong Weldment	1				

TRUCK MOUNT KITS

**MOUNT KIT: CHEV/GMC 4X2
1991 - 2002 3500 HD CHASSIS CAB**

SEC
14



Mount Kit 25013113
QH2 Mount Kit 25012869

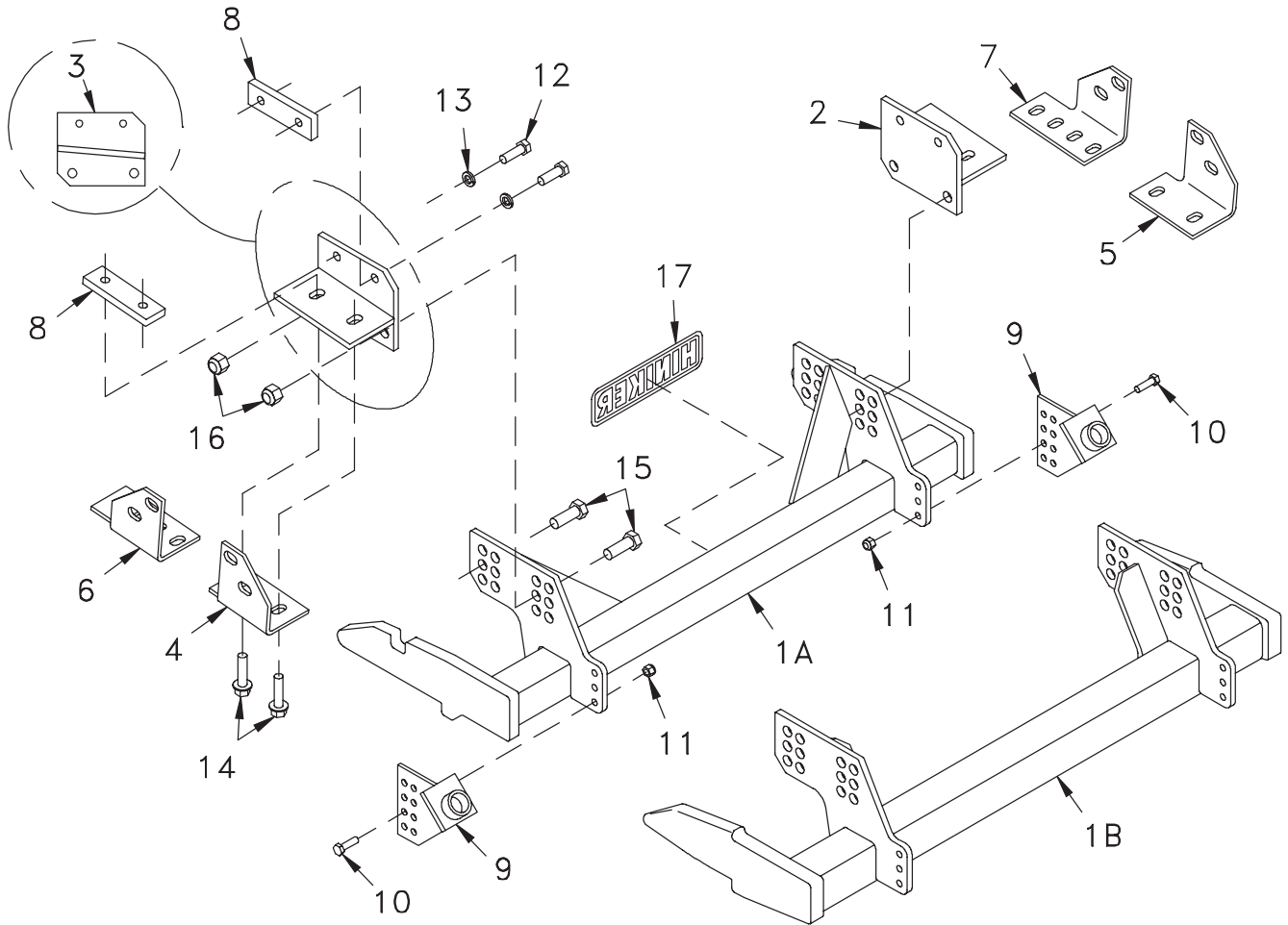
DWG. NO. 3567B

REF. NO.	PART NUMBER	DESCRIPTION	QTY.	REF. NO.	PART NUMBER	DESCRIPTION	QTY.
1A	25010593	Prong Weldment	1	8	952-003-003	SAE Flat Washer 5/8 Inch	4
1B	25012915	Prong Weldment - QH2	1	9	060756	Lock Nut 5/8-11 Nylon Insert	12
2	25010591	Front Frame Weldment	1	10	950-001-125	Hex Head Cap Screw 1/2-13 x 1 1/2 Gr. 5	10
3	25012916	Mount Frame Weldment	1	11	951-003-009	Lock Nut 1/2-13 Nylon Insert	2
4	25010586	Rear Bracket Weldment	2	12	952-001-004	Lock Washer 1/2 Inch	8
5	25010173	RH Nut Weldment	2	13	25010008	Hiniker Decal	1
6	25010174	LH Nut Weldment	2		25011165	Bolt Bag	1
7	950-001-132	Hex Head Cap Screw 5/8-11 x 1 3/4 Gr. 5	12				

TRUCK MOUNT KITS

MOUNT KIT: CHEV/GMC 4X4
1988 -1998 K1500 - 2500 - 3500
1999 K1500 - K2500 WITH 7.4L ENGINE
1999 K3500 (ALL MODELS)

SEC
14



Mount Kit 25010252
 QH2 Mount Kit 25012868

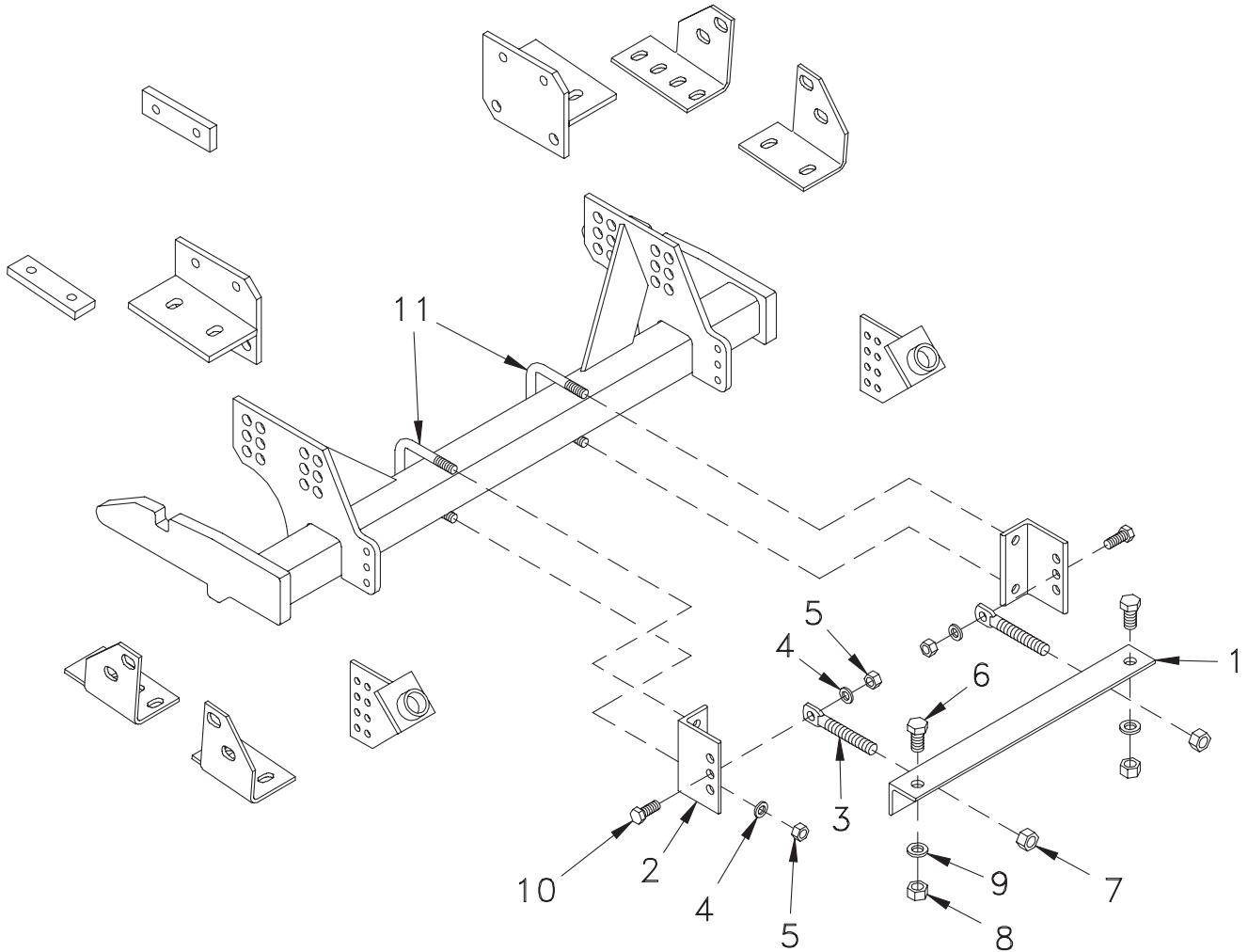
DWG. NO. 3064B

REF. NO.	PART NUMBER	DESCRIPTION	QTY.	REF. NO.	PART NUMBER	DESCRIPTION	QTY.
1A	25010293	Prong Weldment	1	10	950-001-106	Hex Head Cap Screw 3/8-16 x 1 1/4 Gr. 5	4
1B	25012909	Prong Weldment - QH2	1	11	951-003-002	Lock Nut 3/8-16 Nylon Insert	4
2	25010370	RH Bracket Assembly	1	12	950-001-125	Hex Head Cap Screw 1/2-13 x 1 1/2 Gr. 5	4
3	25010371	LH Bracket Assembly	1	13	952-001-004	Lock Washer 1/2 Inch	4
4	25010296	LH Mount Bracket	1	14	950-002-016	Whiz Bolt 1/2-13 x 2 Gr. 5	4
5	25010297	RH Mount Bracket	1	15	950-001-132	Hex Head Cap Screw 5/8-11 x 1 3/4 Gr. 5	4
6	25010298	LH Mount Bracket	1	16	060756	Lock Nut 5/8-11 Nylon Insert	4
7	25010299	RH Mount Bracket	1	17	25010008	Hiniker Decal	1
8	25010300	Nut Bar	4		25011166	Bolt Bag	1
9	25010326	Stop Weldment	2				

TRUCK MOUNT KITS

MOUNT BRACKET KIT: CHEV/GMC 4X4
1988 -1998 K1500 - 2500 - 3500
1999 K1500 - K2500 WITH 7.4L ENGINE
1999 K3500 (ALL MODELS)
(USED WITH GM MOUNT KITS 25010252, 25012868)

SEC
14



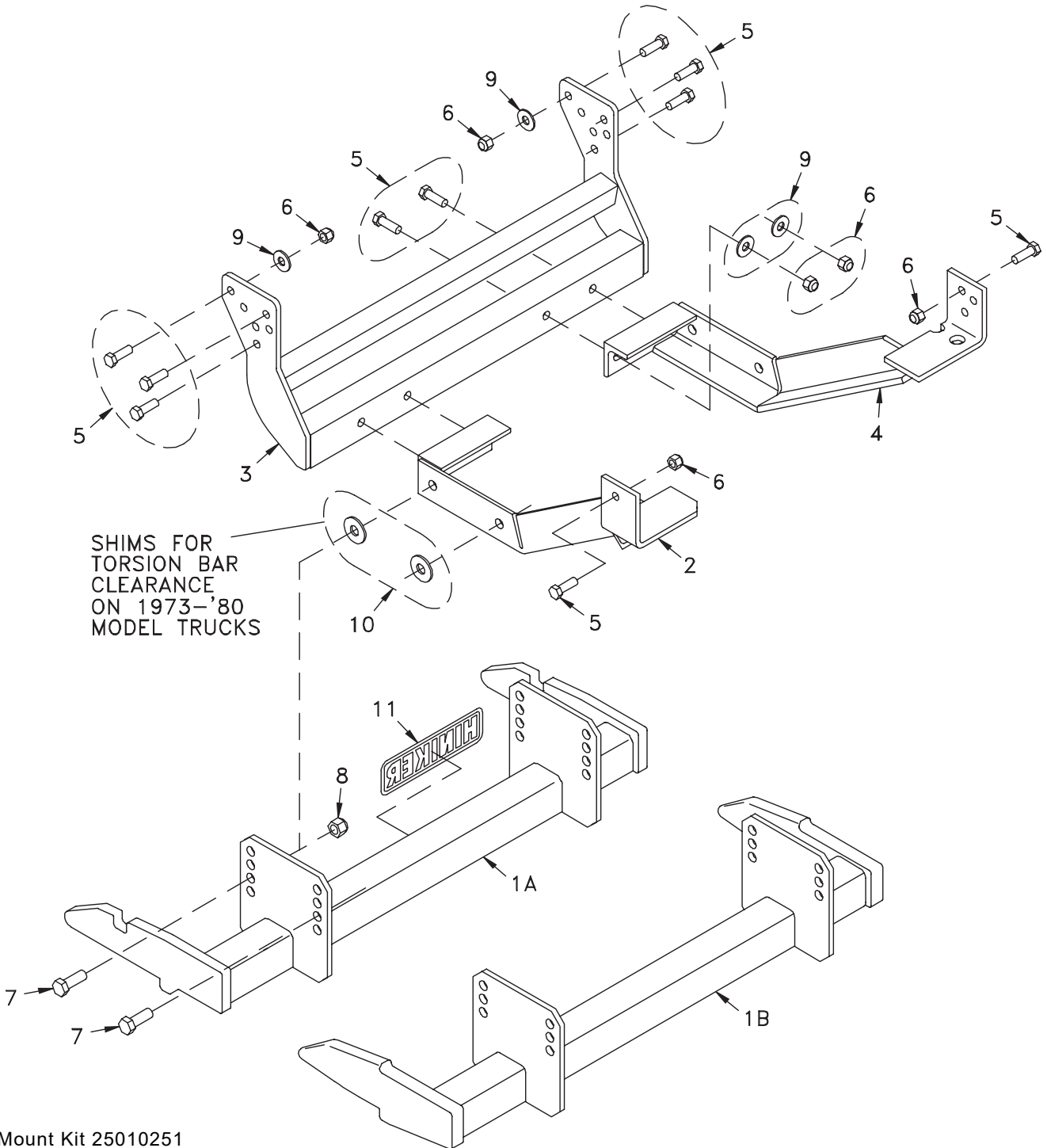
Mount Bracket Kit 25010920

DWG. NO. 3846

REF. NO.	PART NUMBER	DESCRIPTION	QTY.	REF. NO.	PART NUMBER	DESCRIPTION	QTY.
1	25010923	Angle Iron	1	7	951-005-044	2-Way Lock Nut 5/8-11	2
2	25010921	Angle Iron	2	8	951-001-008	Hex Nut 5/8-11	2
3	25010996	Threaded Stud	2	9	952-001-005	Lock Washer 5/8 Inch	2
4	952-001-004	Lock Washer 1/2 Inch	6	10	950-001-111	Hex Head Cap Screw 1/2-13 x 1 1/4 Gr. 5	2
5	951-001-007	Hex Nut 1/2-13	6	11	618542	U-Bolt 1/2-13 x 3	2
6	031-06302	Hex Head Cap Screw 5/8-11 x 1 1/4 Gr. 5	2				

TRUCK MOUNT KITS

MOUNT KIT: CHEV/GMC 4X4
1973 -1987 K10-K20-K30/V1500-V2500-V3500



SEC 14

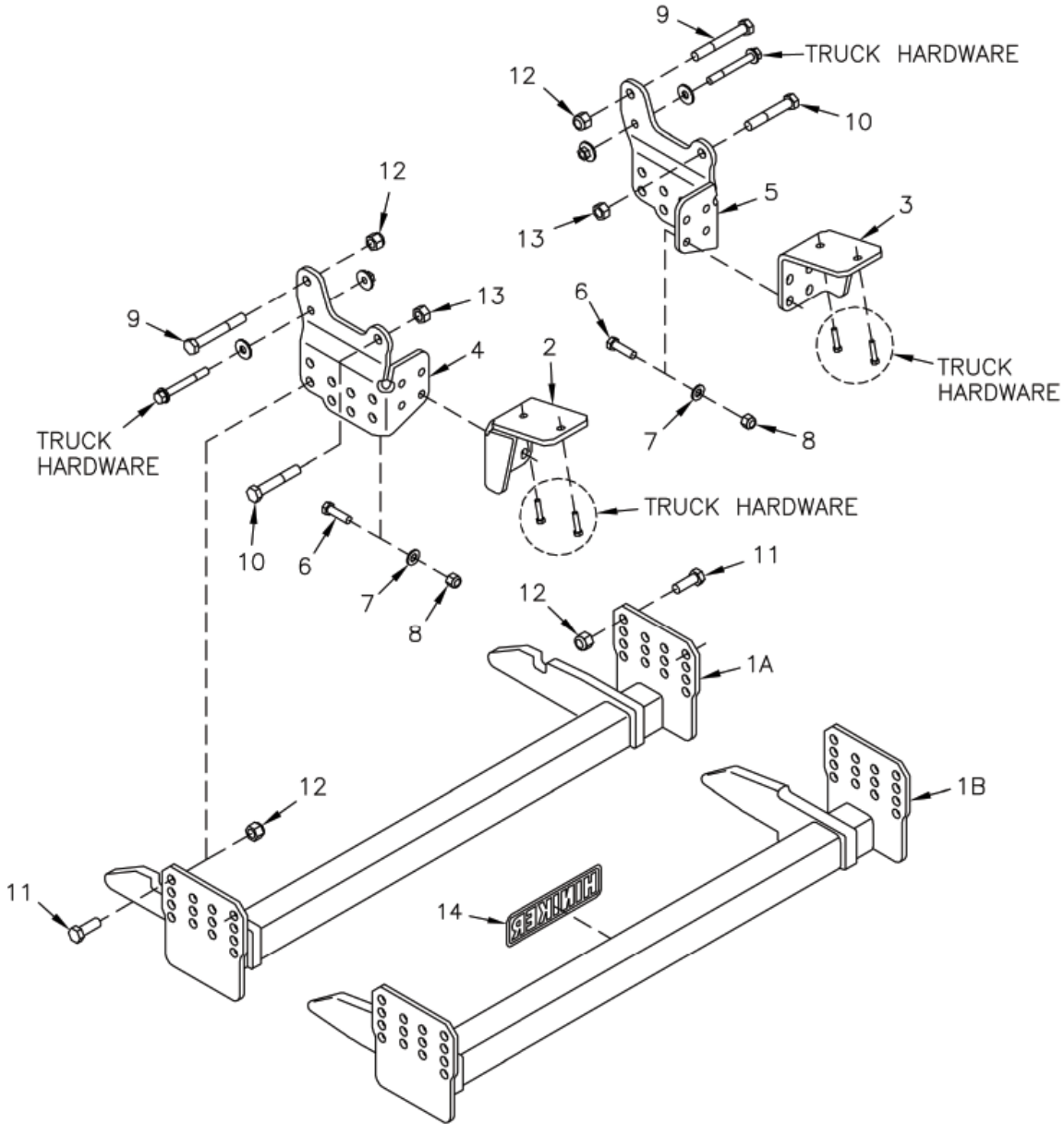
Mount Kit 25010251
QH2 Mount Kit 25012867

DWG. NO. 3059B

REF. NO.	PART NUMBER	DESCRIPTION	QTY.	REF. NO.	PART NUMBER	DESCRIPTION	QTY.
1A	25010130	Prong Weldment	1	7	950-001-132	Hex Head Cap Screw 5/8-11 x 1 3/4 Gr. 5	4
1B	25012905	Prong Weldment - QH2	1	8	060756	Lock Nut 5/8-11 Nylon Insert	4
2	25010364	LH Arm Weldment	1	9	952-002-005	Standard Flat Washer 1/2 Inch	10
3	25010141	Front Mount Weldment	1	10	952-002-007	Standard Flat Washer 5/8 Inch	2
4	25010365	RH Arm Weldment	1	11	25010008	Hiniker Decal	1
5	950-001-125	Hex Head Cap Screw 1/2-13 x 1 1/2 Gr. 5	12		25011171	Bolt Bag	1
6	951-003-009	Lock Nut 1/2-13 Nylon Insert	12				

TRUCK MOUNT KITS

MOUNT KIT: RAM 4X4
2019 & NEWER 3500, 4500, 5500
CHASSIS CAB



Mount Kit 25014137
QH2 Mount Kit 25014136

DWG. NO. 7780

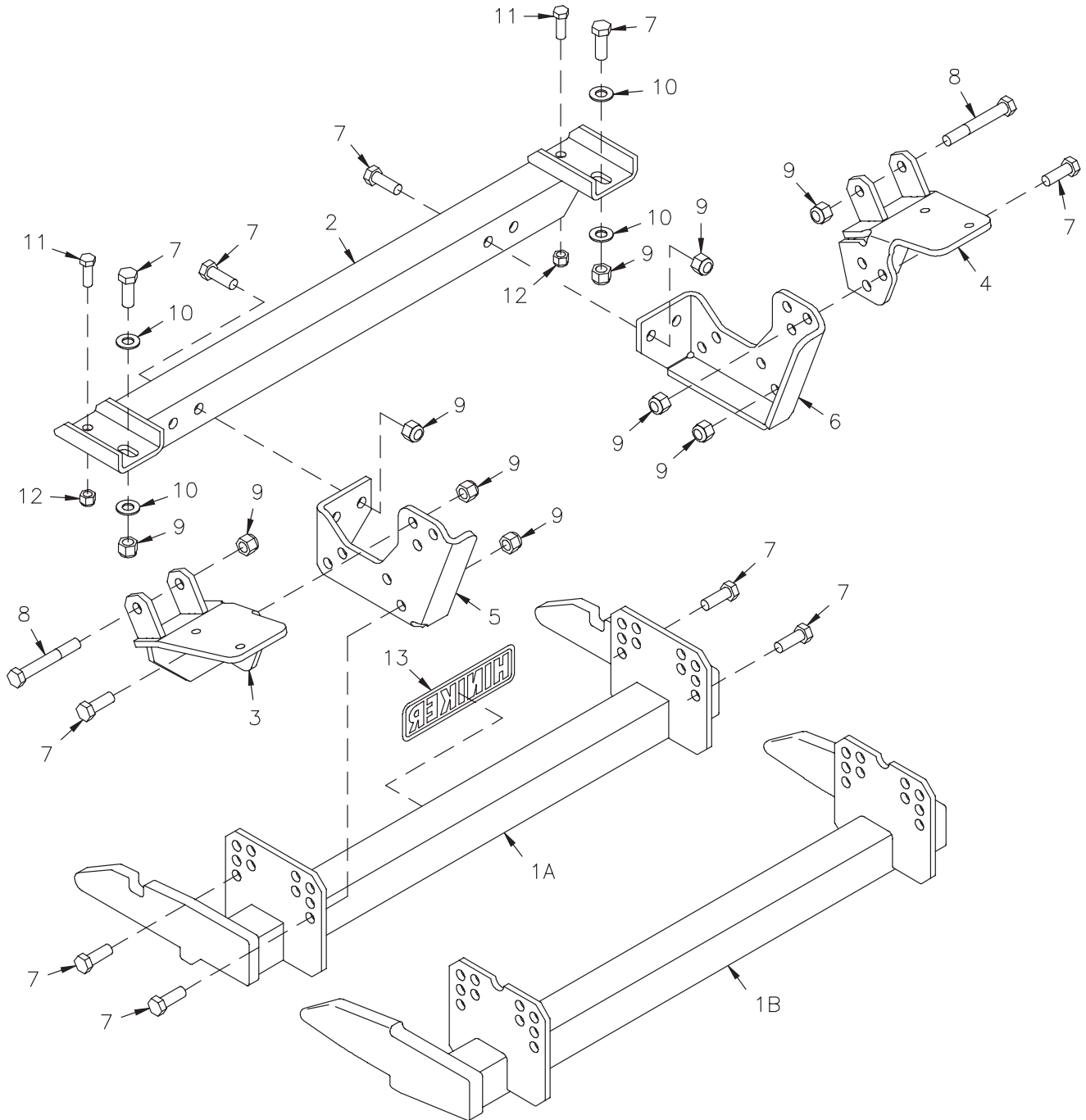
REF. NO.	PART NUMBER	DESCRIPTION	QTY.	REF. NO.	PART NUMBER	DESCRIPTION	QTY.
1A	25010150	Prong Weldment	1	8	951-003-009	Lock Nut 1/2-13 Nylon Insert	8
1B	25012946	Prong Weldment- QH2	1	9	061961	Hex Head Cap Screw 5/8-11 x 4 1/2 GR. 8	2
2	25014138	LH Rear Bracket	1	10	950-001-191	Hex Head Cap Screw 5/8-11 x 3 3/4 Gr. 5	2
3	25014139	RH Rear Bracket	1	11	950-001-132	Hex Head Cap Screw 5/8-11 x 1 3/4 Gr. 5	8
4	25014140	LH Front Bracket	1	12	060756	Lock Nut 5/8-11, Nylon Insert	10
5	25014141	RH Front Bracket	1	13	951-005-044	Lock Nut 5/8-11 2-Way	2
6	950-001-120	Hex Head Cap Screw 1/2-13 x 1 3/4 Gr. 5	8	14	25010008	Hiniker Decal	1
7	952-003-004	SAE Flat Washer 1/2 Inch	8		25014144	Bolt Bag	1

SEC
14

TRUCK MOUNT KITS

MOUNT KIT: DODGE RAM/STERLING BULLET 4X4, 4X2
2008- 2018 4500-5500

SEC
14



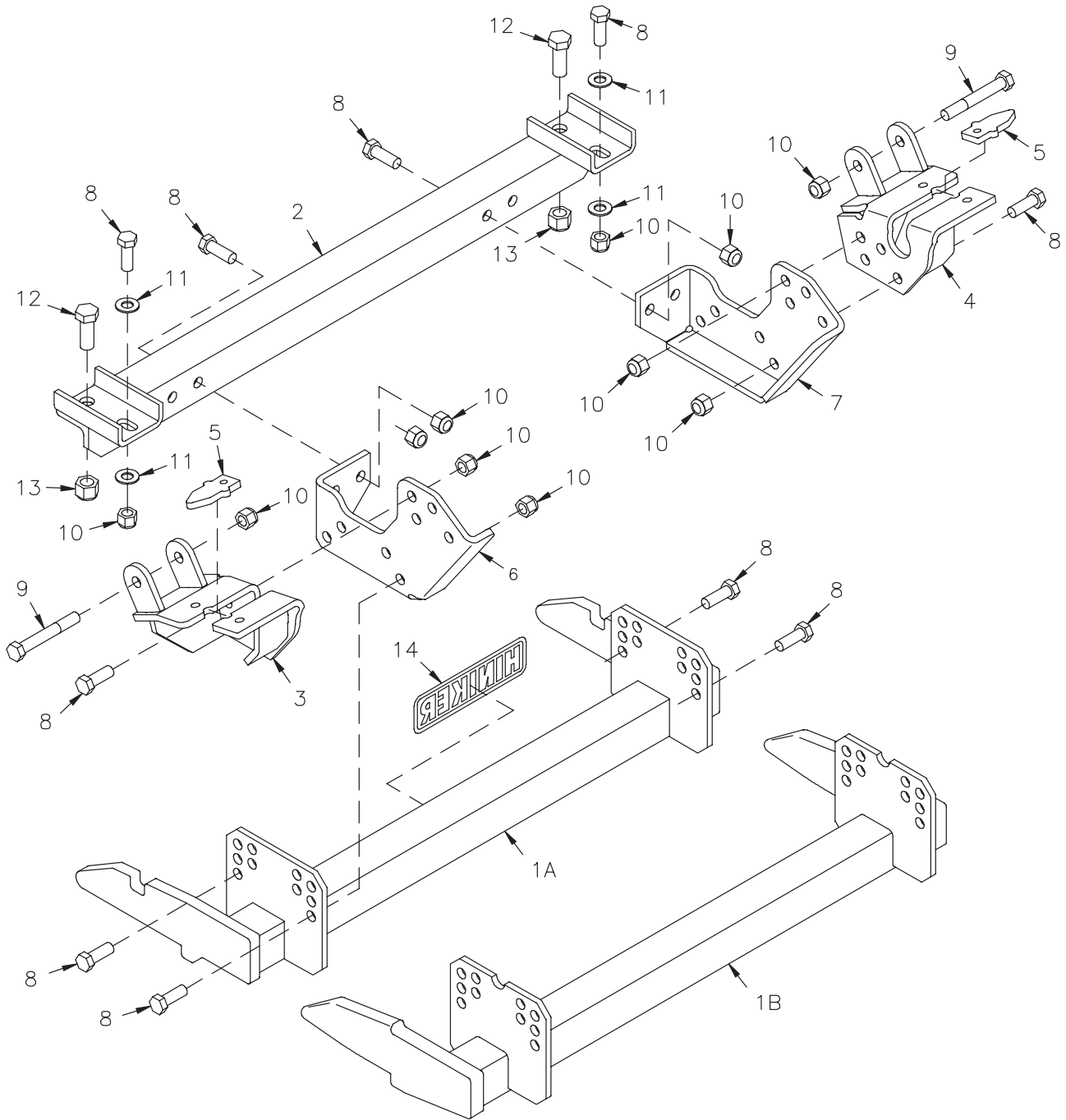
Mount Kit 25013305
QH2 Mount Kit 25013306

DWG. NO. 6952

REF. NO.	PART NUMBER	DESCRIPTION	QTY.	REF. NO.	PART NUMBER	DESCRIPTION	QTY.
1A	25012253	Prong Weldment	1	8	061961	Hex Head Cap Screw 5/8-11 x 4 1/2 Gr. 8	2
1B	25012879	Prong Weldment - QH2	1	9	060756	Lock Nut 5/8-11 Nylon Insert	20
2	25012936	Cross Brace Weldment	1	10	952-004-070	Flat Washer, 5/8 Inch Hardened	4
3	25013307	LH Rear Bracket Weldment	1	11	950-001-125	Hex Head Cap Screw 1/2-13 x 1 1/2 Gr. 5	2
4	25013308	RH Rear Bracket Weldment	1	12	951-003-009	Lock Nut 1/2-13 Nylon Insert	2
5	25013309	LH Side Bracket	1	13	25010008	Hiniker Decal	1
6	25013310	RH Side Bracket	1	14	25012603	Bolt Bag	1
7	950-001-132	Hex Head Cap Screw 5/8-11 x 1 3/4 Gr. 5	18				

TRUCK MOUNT KITS

MOUNT KIT: DODGE RAM/STERLING BULLET 4X4, 4X2
2008 - 2012 4500/5500
(NON CURRENT)



Mount Kit 25012594
 QH2 Mount Kit 25012874

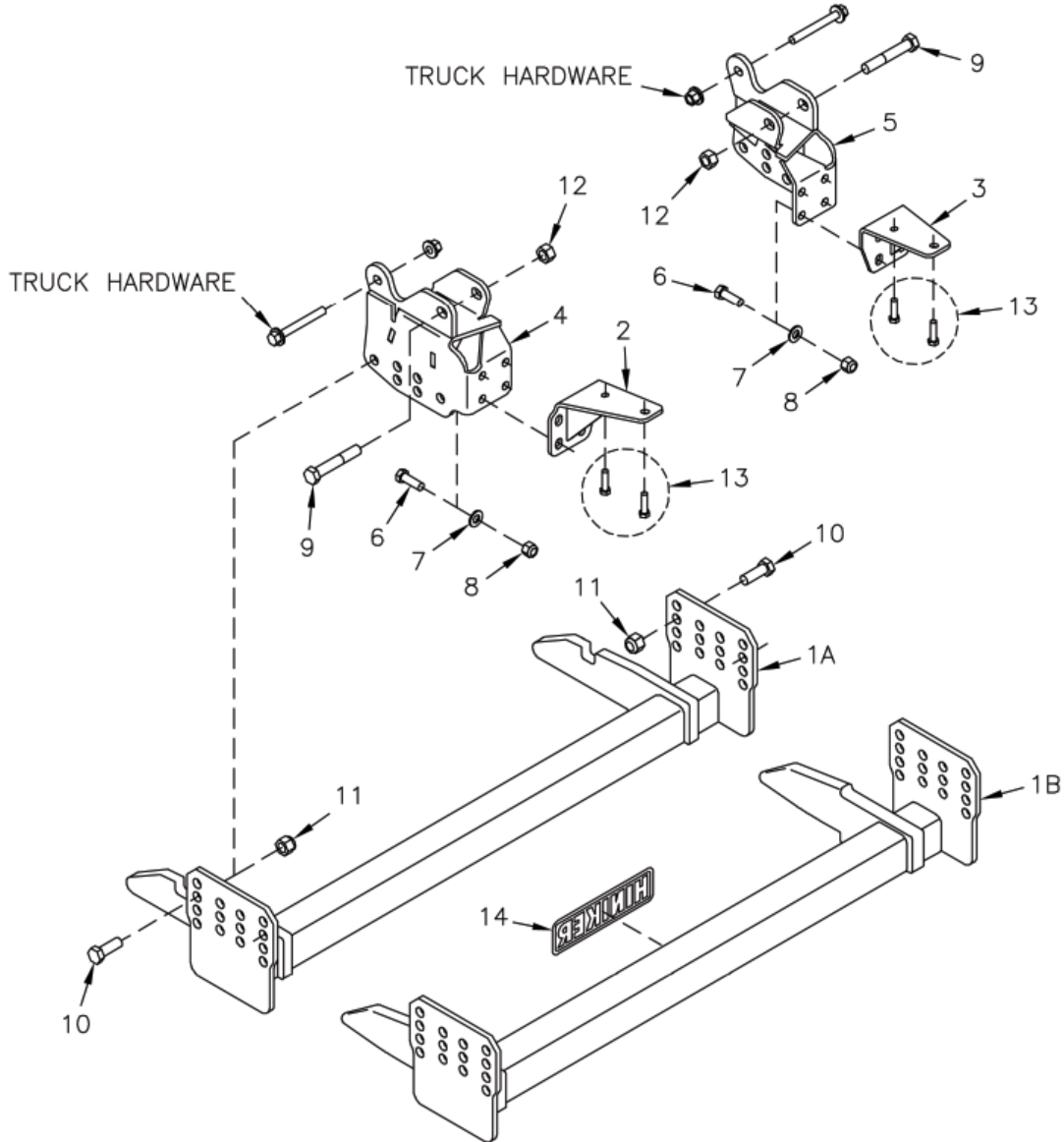
DWG. NO. 6333A

REF. NO.	PART NUMBER	DESCRIPTION	QTY.	REF. NO.	PART NUMBER	DESCRIPTION	QTY.
1A	25012253	Prong Weldment	1	8	950-001-132	Hex Head Cap Screw 5/8-11 x 1 3/4 Gr. 5	22
1B	25012879	Prong Weldment - QH2	1	9	061961	Hex Head Cap Screw 5/8-11 x 4 1/2 Gr. 8	2
2	25012936	Cross Brace Weldment	1	10	060756	Lock Nut 5/8-11 Nylon Insert	24
3	25012598	LH Rear Bracket Weldment	1	11	952-004-070	Flat Washer 5/8 Inch Hardened	4
4	25012599	RH Rear Bracket Weldment	1	12	950-001-029	Hex Head Cap Screw 3/4-10 x 1 3/4 Gr. 5	2
5	25012600	Spacer	2	13	951-003-010	Lock Nut 3/4-10 Nylon Insert	2
6	25012937	LH Side Bracket	1	14	25010008	Hiniker Decal	1
7	25012938	RH Side Bracket	1		25012603	Bolt Bag	1

SEC
14

TRUCK MOUNT KITS

MOUNT KIT: RAM 4X4
2019 & NEWER 2500-3500



SEC
14

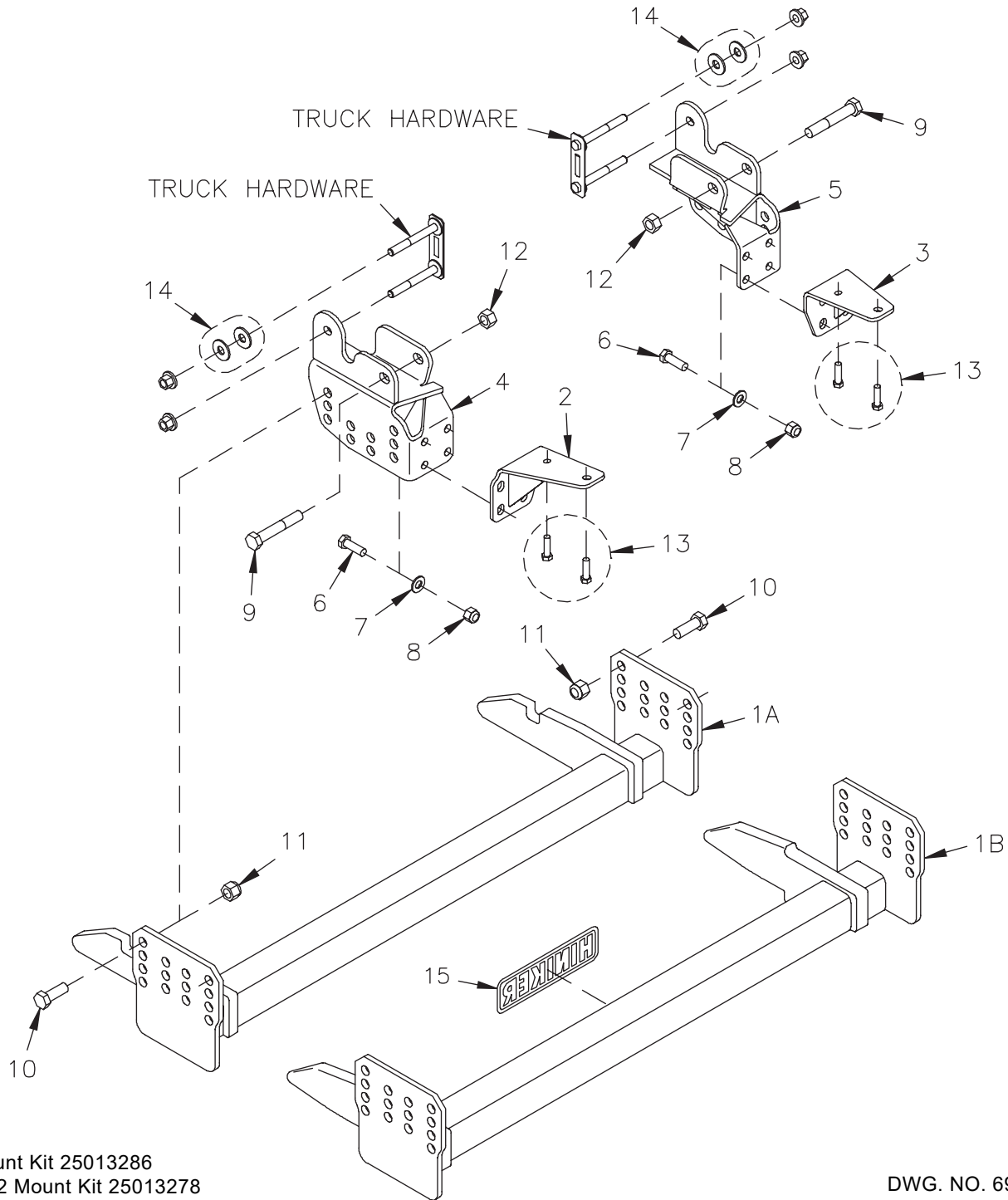
Mount Kit 25014067
QH2 Mount Kit 25014068

DWG. NO. 7721

REF. NO.	PART NUMBER	DESCRIPTION	QTY.	REF. NO.	PART NUMBER	DESCRIPTION	QTY.
1A	25010150	Prong Weldment	1	8	951-003-009	Lock Nut 1/2-13 Nylon Insert	8
1B	25012946	Prong Weldment-QH2	1	9	950-001-191	Hex Head Cap Screw 5/8-11 x 3 3/4 Gr. 5	2
2	25013281	LH Rear Bracket Weldment	1	10	950-001-132	Hex Head Cap Screw 5/8-11 x 1 3/4 Gr. 5	8
3	25013282	RH Rear Bracket Weldment	1	11	060756	Lock Nut 5/8-11 Nylon Insert	8
4	25014069	LH Bracket Weldment	1	12	951-005-044	Lock Nut 5/8-11 2-Way	2
5	25014070	RH Bracket Weldment	1	13	950-011-058	Hex Head Cap Screw M10x1.5x35 Class 10.9	4
6	950-001-125	Hex Head Cap Screw 1/2-13 x 1 1/2 Gr. 5	8	14	25010008	Hiniker Decal	1
7	952-003-004	SAE Flat Washer, 1/2 Inch	8		25013285	Bolt Bag	1

TRUCK MOUNT KITS

MOUNT KIT: DODGE RAM 4X4 2013 - 2018 2500-3500



Mount Kit 25013286
QH2 Mount Kit 25013278

DWG. NO. 6901C

REF. NO.	PART NUMBER	DESCRIPTION	QTY.	REF. NO.	PART NUMBER	DESCRIPTION	QTY.
1A	25010150	Prong Weldment	1	9	950-001-191	Hex Head Cap Screw 5/8-11 x 3 3/4 Gr. 5	2
1B	25012946	Prong Weldment - QH2	1	10	950-001-132	Hex Head Cap Screw 5/8-11 x 1 3/4 Gr. 5	8
2	25013281	LH Rear Bracket Weldment	1	11	060756	Lock Nut 5/8-11 Nylon Insert	8
3	25013282	RH Rear Bracket Weldment	1	12	951-005-044	Lock Nut 5/8-11 2-Way	2
4	25013846	LH Bracket Weldment	1	13	950-011-058	Hex Head Cap Screw M10 x 1.5 x 35 Class 10.9	4
5	25013845	RH Bracket Weldment	1	14	952-002-005	Standard Flat Washer, 1/2 Inch	4
6	950-001-125	Hex Head Cap Screw 1/2-13 x 1 1/2 Gr. 5	8	15	25010008	Hiniker Decal	1
7	952-003-004	SAE Flat Washer, 1/2 Inch	8		25013285	Bolt Bag	1
8	951-003-009	Lock Nut 1/2-13 Nylon Insert	8				

TRUCK MOUNT KITS

MOUNT BRACKET KIT: DODGE RAM 4X4
2013 & NEWER 2500-3500
(USED WITH RAM MOUNT KITS 25013286, 25013278)

IMPORTANT:
 DRILL $21/32$ " DIA.
 HOLES IN BRACKETS
 TO MATCH HOLES
 IN ADAPTERS &
 ASSEMBLE EACH
 PLATE WITH FOUR
 FASTENERS.

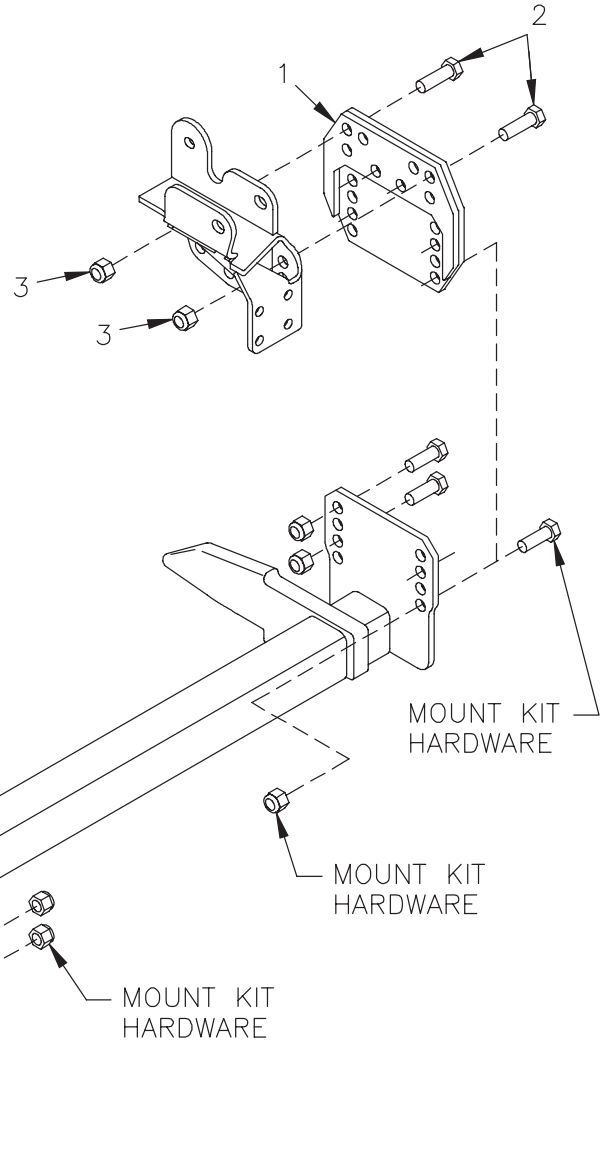
NOTE: CANNOT USE
 BOTTOM HOLE AT
 FRONT OF PLATES

HARDWARE
 MOUNT KIT

MOUNT KIT
 HARDWARE

MOUNT KIT
 HARDWARE

MOUNT KIT
 HARDWARE



SEC
14

Prong Adapter Kit 25013334

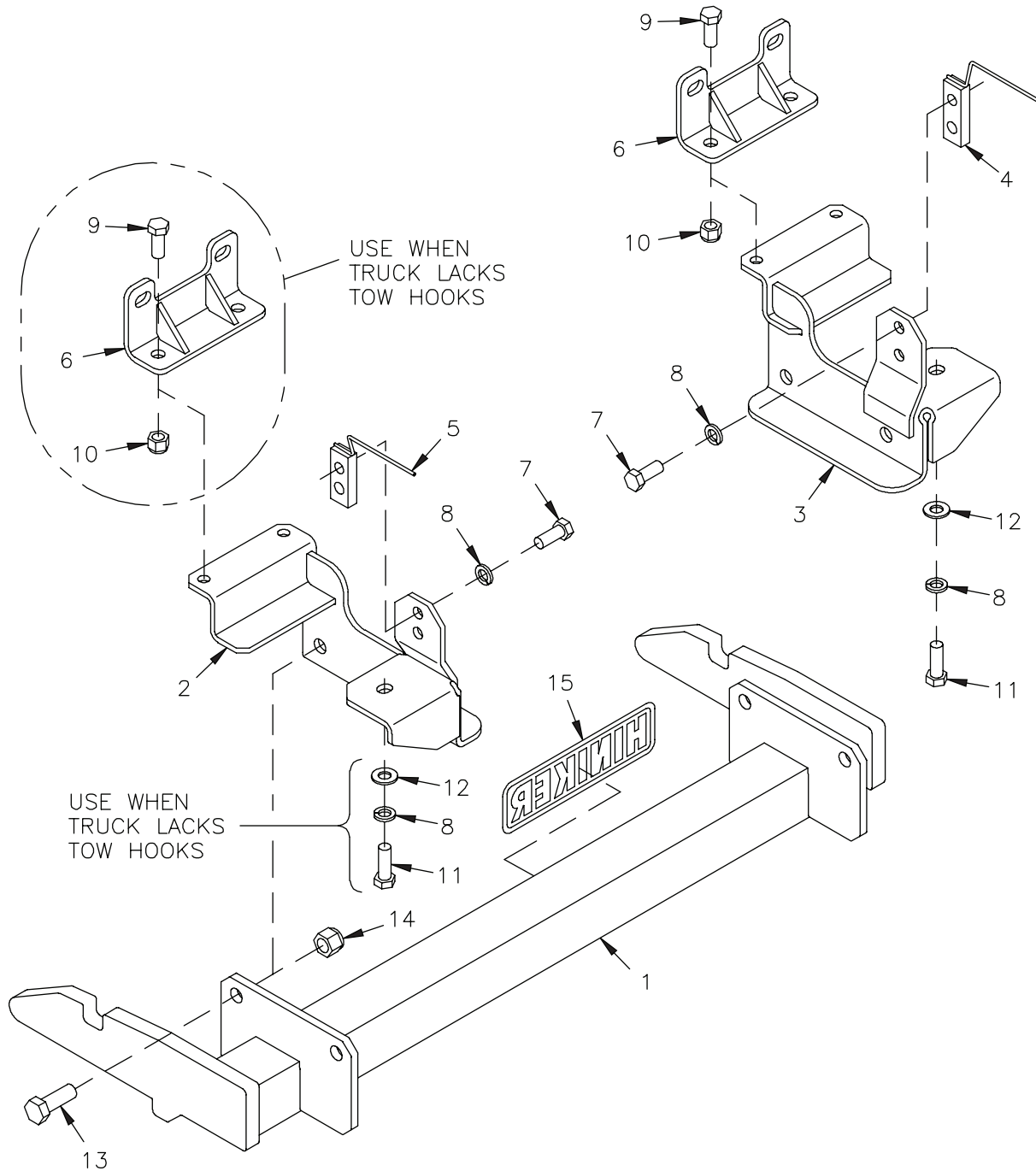
DWG. NO. 7017C

REF. NO.	PART NUMBER	DESCRIPTION	QTY.	REF. NO.	PART NUMBER	DESCRIPTION	QTY.
1	25013335	Adapter Plate Weldment	2	3	060756	Lock Nut 5/8-11 Nylon Insert	8
2	950-001-023	Hex Head Cap Screw 5/8-11 x 2 Gr. 5	8				

TRUCK MOUNT KITS

MOUNT KIT: DODGE RAM 4X4
2009 - 2012 1500

SEC
14



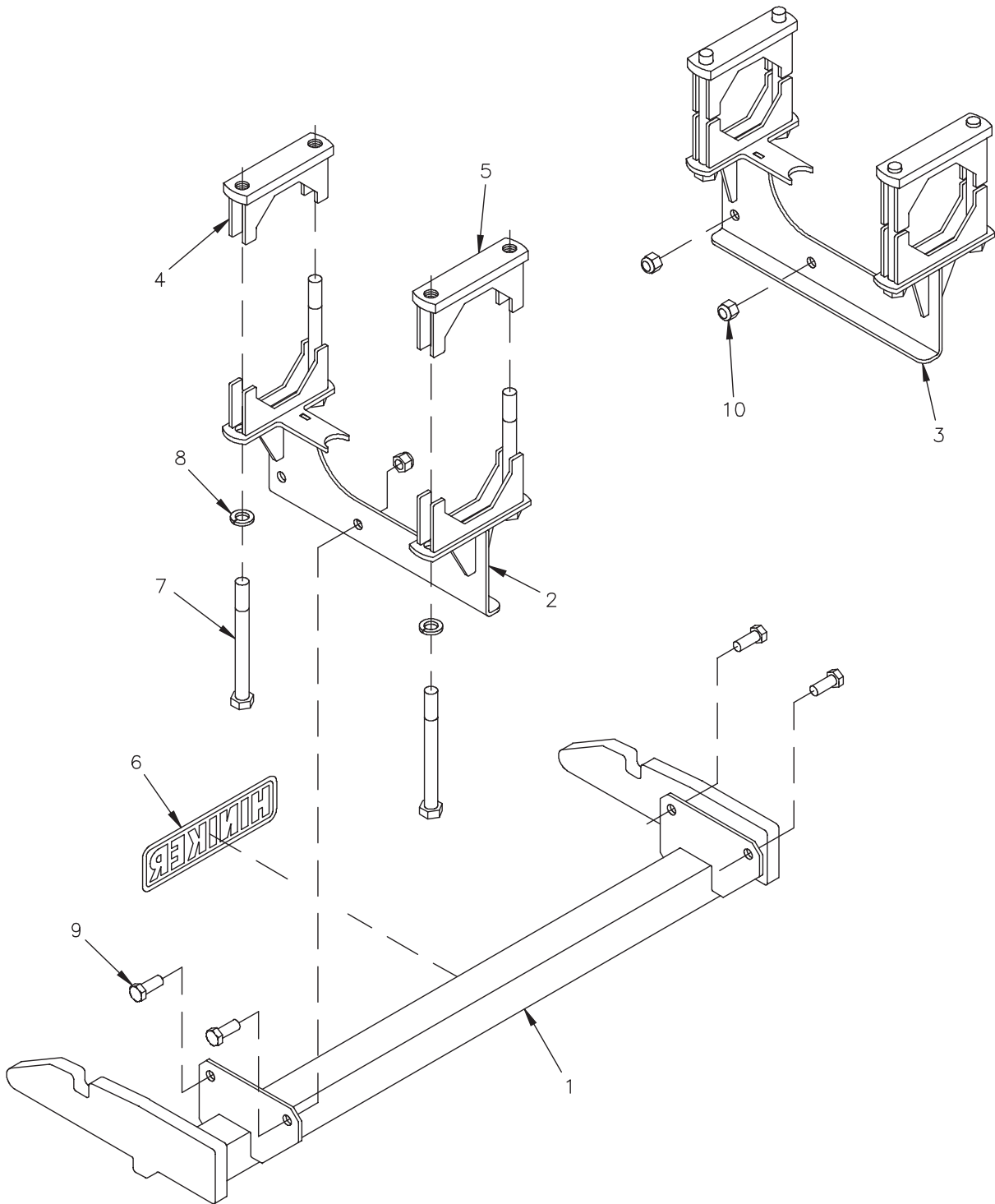
Mount Kit 25012703

DWG. NO. 6533

REF. NO.	PART NUMBER	DESCRIPTION	QTY.	REF. NO.	PART NUMBER	DESCRIPTION	QTY.
1	25012208	Prong Weldment	1	9	950-001-111	Hex Head Cap Screw 1/2-13 x 1 1/4 Gr. 5	4
2	25012738	LH Bracket Weldment	1	10	951-003-009	Lock Nut 1/2-13 Nylon Insert	4
3	25012739	RH Bracket Weldment	1	11	950-011-046	Hex Head Cap Screw M12 x 1.75 x 40 CL. 10.9	2
4	25012747	Nut Bar Weldment 1-3/8" Centers	1	12	952-003-004	SAE Flat Washer 1/2 Inch	2
5	25012748	Nut Bar Weldment 1" Centers	1	13	950-001-087	Hex Head Cap Screw 5/8-11 x 1 1/2 Gr. 5	4
6	25012750	Front Bracket Weldment	2	14	060756	Lock Nut 5/8-11 Nylon Insert	4
7	950-001-231	Hex Head Cap Screw 1/2-13 x 1 Gr. 5	4	15	25010008	Hiniker Decal	1
8	952-001-004	Lock Washer 1/2 Inch	6		25012752	Bolt Bag	1

TRUCK MOUNT KITS

MOUNT KIT: DODGE DAKOTA 4X4
2005 - 2011



SEC
14

Mount Kit 25011817

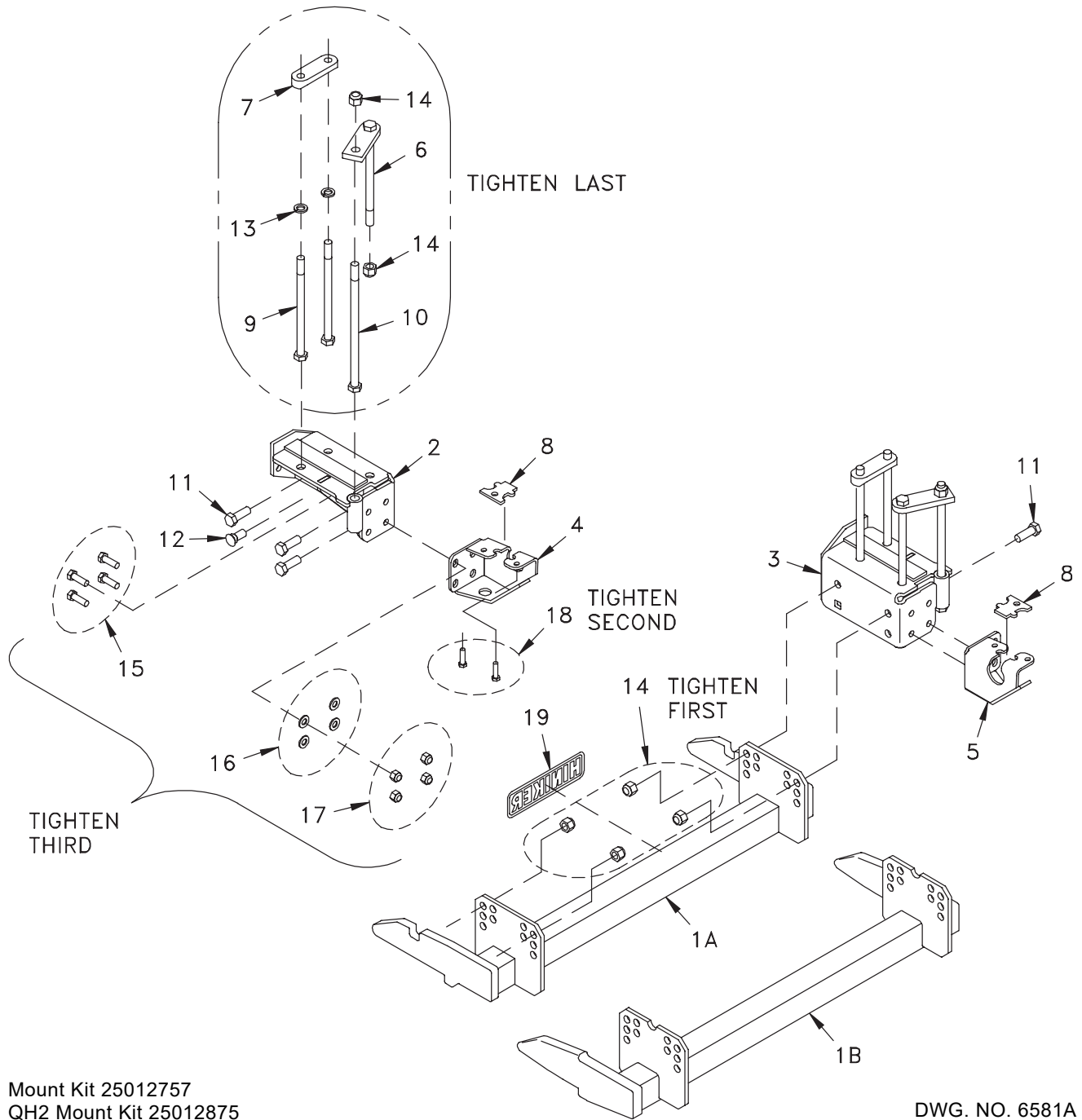
DWG. NO. 5743

REF. NO.	PART NUMBER	DESCRIPTION	QTY.	REF. NO.	PART NUMBER	DESCRIPTION	QTY.
1	25011953	Prong Weldment	1	7	950-001-027	Hex Head Cap Screw 5/8-11 x 6 1/2 Gr. 5	8
2	25011954	LH Bracket Weldment	1	8	952-001-005	Lock Washer, 5/8 Inch	8
3	25011955	RH Bracket Weldment	1	9	950-001-111	Hex Head Cap Screw 1/2-13 x 1 1/4 Gr. 5	4
4	25011956	Front Clamp Weldment	2	10	951-003-009	Lock Nut 1/2-13 Nylon Insert	4
5	25011957	Rear Clamp Weldment	2		25011959	Bolt Bag	1
6	25010008	Hiniker Decal	1				

TRUCK MOUNT KITS

MOUNT KIT: DODGE RAM 4X4 2010 - 2012 2500-3500

SEC
14



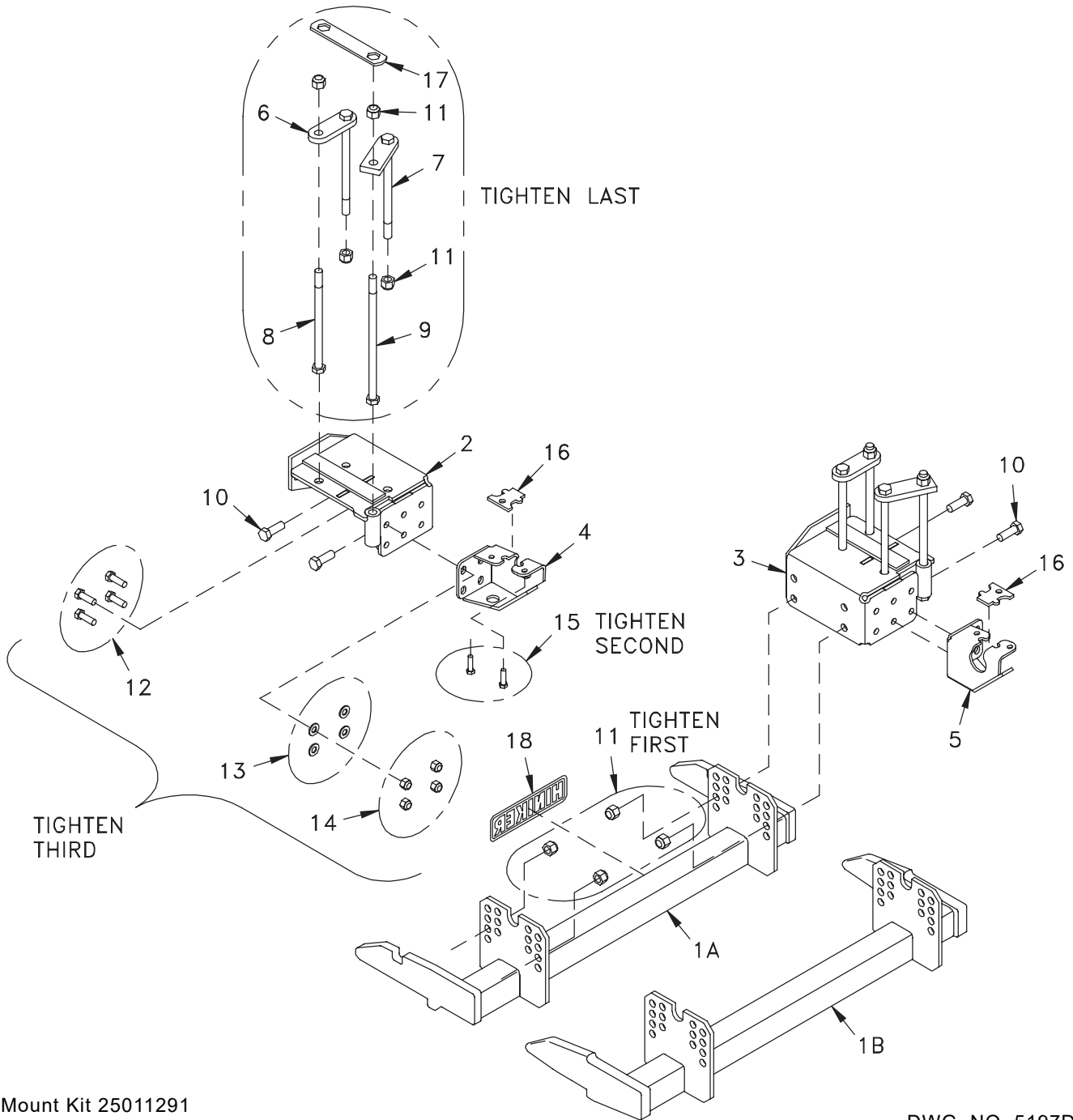
Mount Kit 25012757
QH2 Mount Kit 25012875

DWG. NO. 6581A

REF. NO.	PART NUMBER	DESCRIPTION	QTY.	REF. NO.	PART NUMBER	DESCRIPTION	QTY.
1A	25012253	Prong Weldment	1	11	950-001-132	Hex Head Cap Screw 5/8-11 x 1 3/4 Gr. 5	6
1B	25012879	Prong Weldment - QH2	1	12	030-76060	Plow Bolt 5/8-11 x 1 1/2 Gr. 5	2
2	25012758	LH Bracket Weldment	1	13	952-001-005	Lock Washer 5/8 Inch	4
3	25012759	RH Bracket Weldment	1	14	060756	Lock Nut 5/8-11 Nylon Insert	12
4	25011309	LH Rear Bracket Weldment	1	15	950-001-125	Hex Head Cap Screw 1/2-13 x 1 1/2 Gr. 5	8
5	25011310	RH Rear Bracket Weldment	1	16	952-003-004	SAE Flat Washer, 1/2 Inch	8
6	25012633	Wide Clamp Weldment (Square End)	2	17	951-003-009	Lock Nut 1/2-13 Nylon Insert	8
7	25012760	Nut Bar	2	18	950-011-058	Hex Head Cap Screw M10 x 1.5 x 35 Class 10.9	4
8	25011316	Spacer Plate	2	19	25010008	Hiniker Decal	1
9	950-001-230	Hex Head Cap Screw 5/8-11 x 9 1/2 Gr. 5	4		25012762	Bolt Bag	
10	950-001-303	Hex Head Cap Screw 5/8-11 x 12 Gr. 5	2				

TRUCK MOUNT KITS

MOUNT KIT: DODGE RAM 4X4
2003-2009 2500-3500



SEC
14

Mount Kit 25011291
QH2 Mount Kit 25012876

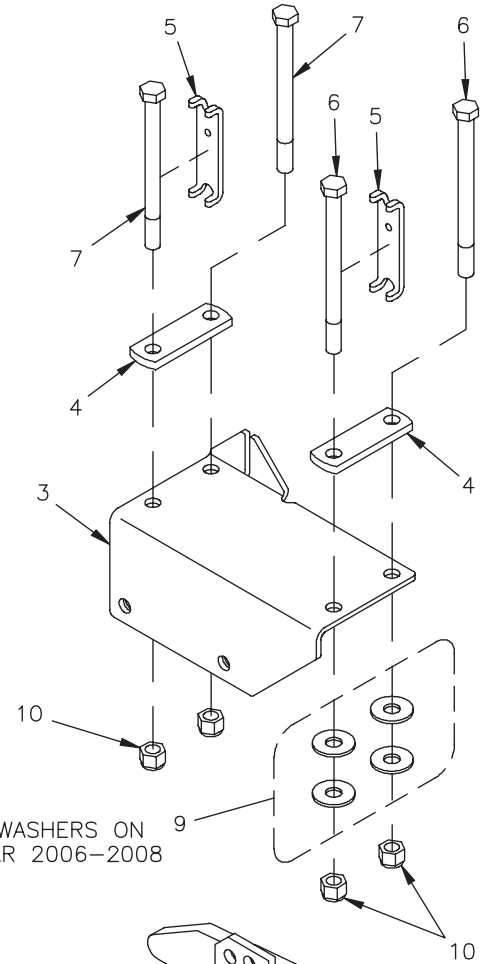
DWG. NO. 5197D

REF. NO.	PART NUMBER	DESCRIPTION	QTY.	REF. NO.	PART NUMBER	DESCRIPTION	QTY.
1A	25010177	Prong Weldment	1	10	950-001-132	Hex Head Cap Screw 5/8-11 x 1 3/4 Gr. 5	8
1B	25012896	Prong Weldment - QH2	1	11	060756	Lock Nut 5/8-11 Nylon Insert	16
2	25011298	LH Bracket Weldment	1	12	950-001-125	Hex Head Cap Screw 1/2-13 x 1 1/2 Gr. 5	8
3	25011299	RH Bracket Weldment	1	13	952-003-004	SAE Flat Washer, 1/2 Inch	8
4	25011309	LH Rear Bracket Weldment	1	14	951-003-009	Lock Nut 1/2-13 Nylon Insert	8
5	25011310	RH Rear Bracket Weldment	1	15	950-011-058	Hex Head Cap Screw M10 x 1.5 x 35 Class 10.9	4
6	25012632	Narrow Clamp Weldment (Round End)	2	16	25011316	Spacer Plate	2
7	25012633	Wide Clamp Weldment (Square End)	2	17	25011315	Nut Bar Tool	1
8	950-001-230	Hex Head Cap Screw 5/8-11 x 9 1/2 Gr. 5	2	18	25010008	Hiniker Decal	1
9	950-001-303	Hex Head Cap Screw 5/8-11 x 12 Gr. 5	2		25011314	Bolt Bag	

TRUCK MOUNT KITS

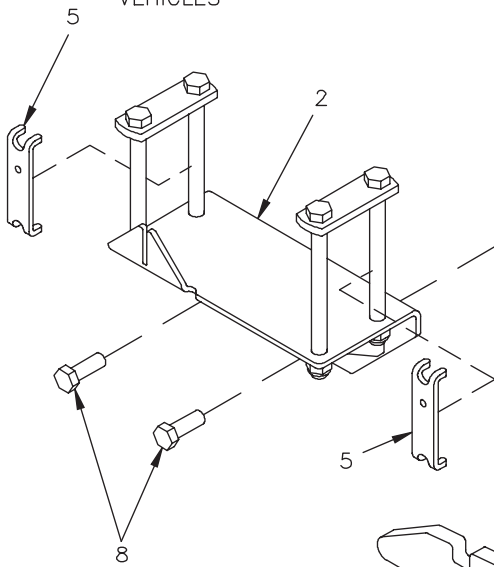
MOUNT KIT: DODGE RAM 4X4 2002-2008 1500

SEC
14



USE SHIM STRAPS ON
MODEL YEAR 2006-2008
VEHICLES

USE FLAT WASHERS ON
MODEL YEAR 2006-2008
VEHICLES



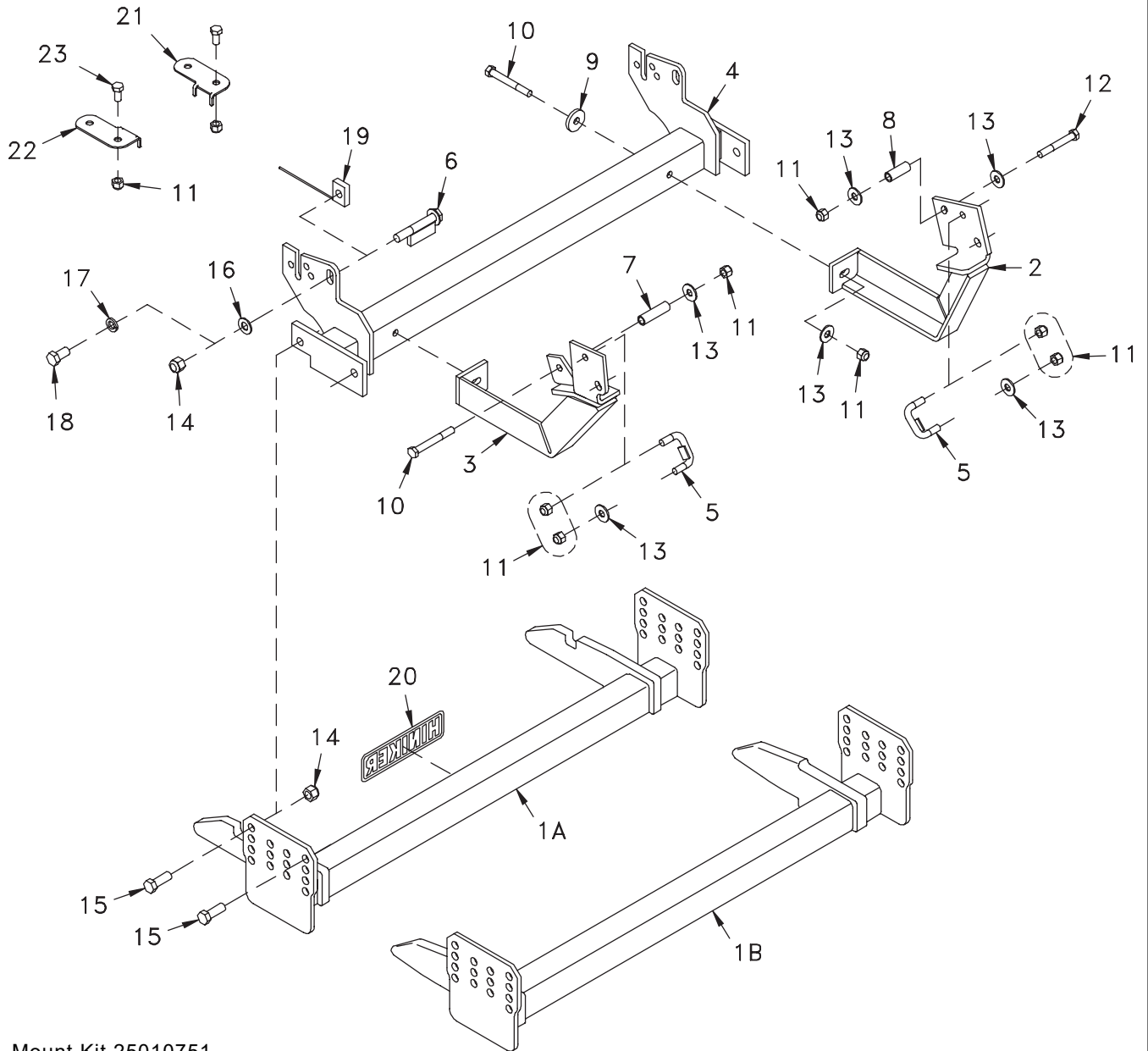
Mount Kit 25011815

DWG. NO. 5747

REF. NO.	PART NUMBER	DESCRIPTION	QTY.	REF. NO.	PART NUMBER	DESCRIPTION	QTY.
1	25010177	Prong Weldment	1	7	950-001-165	Hex Head Cap Screw 5/8-11 x 7 1/2 Gr. 5	4
2	25011971	LH Bracket Weldment	1	8	950-001-132	Hex Head Cap Screw 5/8-11 x 1 3/4 Gr. 5	4
3	25011970	RH Bracket Weldment	1	9	952-002-007	Flat Washer, 5/8 Inch	8
4	25011972	Top Bar	4	10	060756	Lock Nut 5/8-11 Nylon Insert	12
5	25011973	Shim Strap	4	11	25010008	Hiniker Decal	1
6	950-001-238	Hex Head Cap Screw 5/8-11 x 8 Gr. 5	4		25011979	Bolt Bag	1

TRUCK MOUNT KITS

MOUNT KIT: DODGE RAM 4X4
1994-2001 W1500
1994-2002 W2500-W3500



SEC
14

Mount Kit 25010751
QH2 Mount Kit 25012877

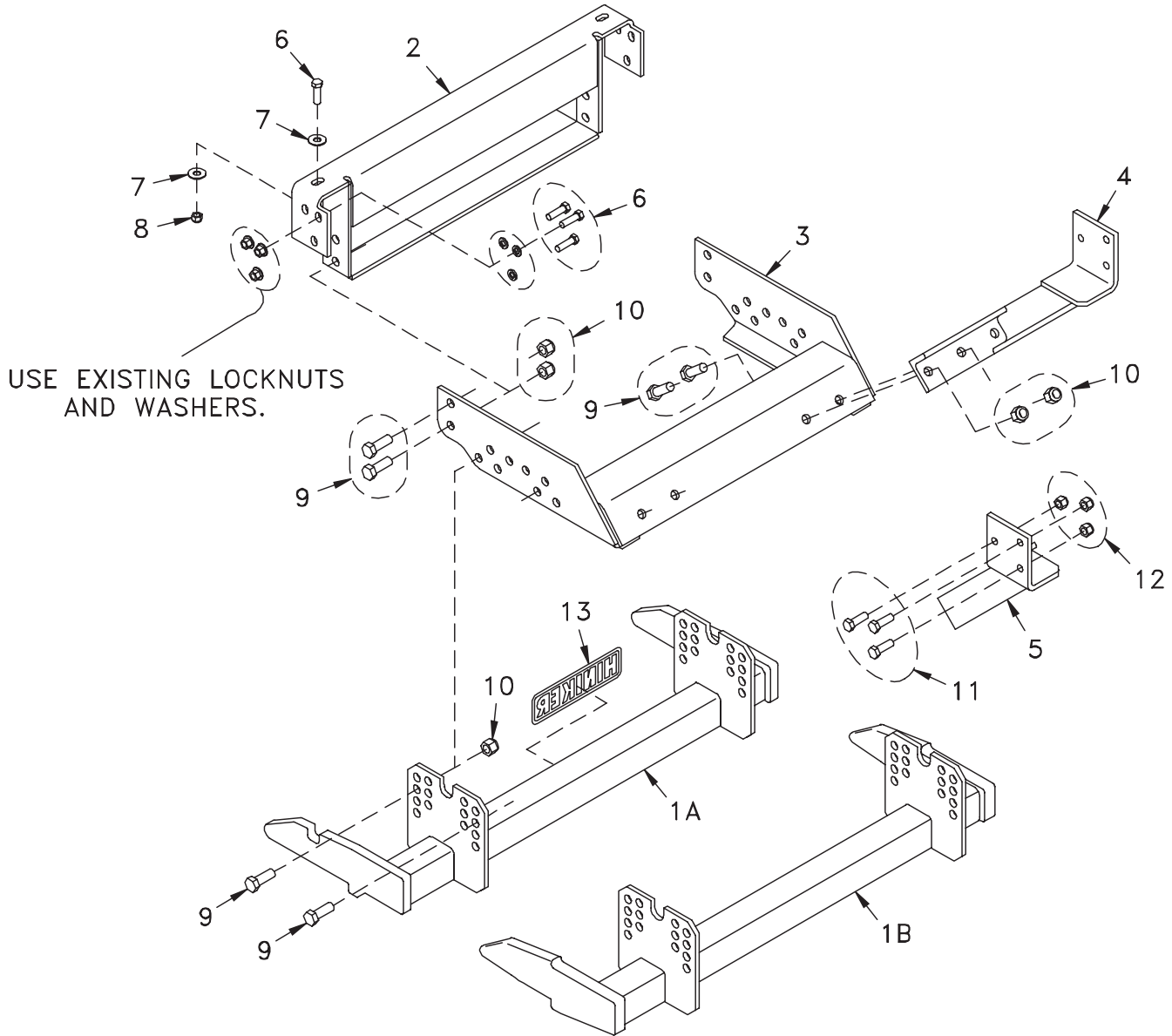
DWG. NO. 3061D

REF. NO.	PART NUMBER	DESCRIPTION	QTY.	REF. NO.	PART NUMBER	DESCRIPTION	QTY.
1A	25010150	Prong Weldment	1	13	952-002-005	Flat Washer, 1/2 Inch	7
1B	25012946	Prong Weldment - QH2	1	14	060756	Lock Nut 5/8-11 Nylon Insert	6
2	25010202	RH Arm Weldment	1	15	950-001-132	Hex Head Cap Screw 5/8-11 x 1 3/4 Gr. 5	4
3	25010203	LH Arm Weldment	1	16	952-003-003	SAE Flat Washer, 5/8 Inch	2
4	25010752	Front Bracket Weldment	1	17	952-001-005	Lock Washer 5/8 Inch	2
5	25010194	U-Bolt Weldment	2	18	031-06302	Hex Head Cap Screw 5/8-11 x 1 1/4 Gr. 5	2
6	25010196	Bolt Weldment	2	19	25011033	Nut Bar Weldment	2
7	25010211	Long Spacer 2 11/16"	1	20	25010008	Hiniker Decal	1
8	25010212	Short Spacer 2"	1	21	25012254	RH Headlight Extension Bracket	1
9	952-004-059	Flat Washer 9/16 x 1 3/4 x 1/4 Thick	2	22	25012255	LH Headlight Extension Bracket	1
10	950-001-124	Hex Head Cap Screw 1/2-13 x 4 Gr. 5	3	23	950-001-231	Hex Head Cap Screw 1/2-13 x 1 Gr. 5	2
11	951-003-009	Lock Nut 1/2-13 Nylon Insert	10		25011164	Bolt Bag	1
12	950-001-142	Hex Head Cap Screw 1/2-13 x 3 1/2 Gr. 5	1				

TRUCK MOUNT KITS

MOUNT KIT: DODGE RAM 4X4
1972-1993 W100-W150-W200-W250-W300-W350

SEC
14



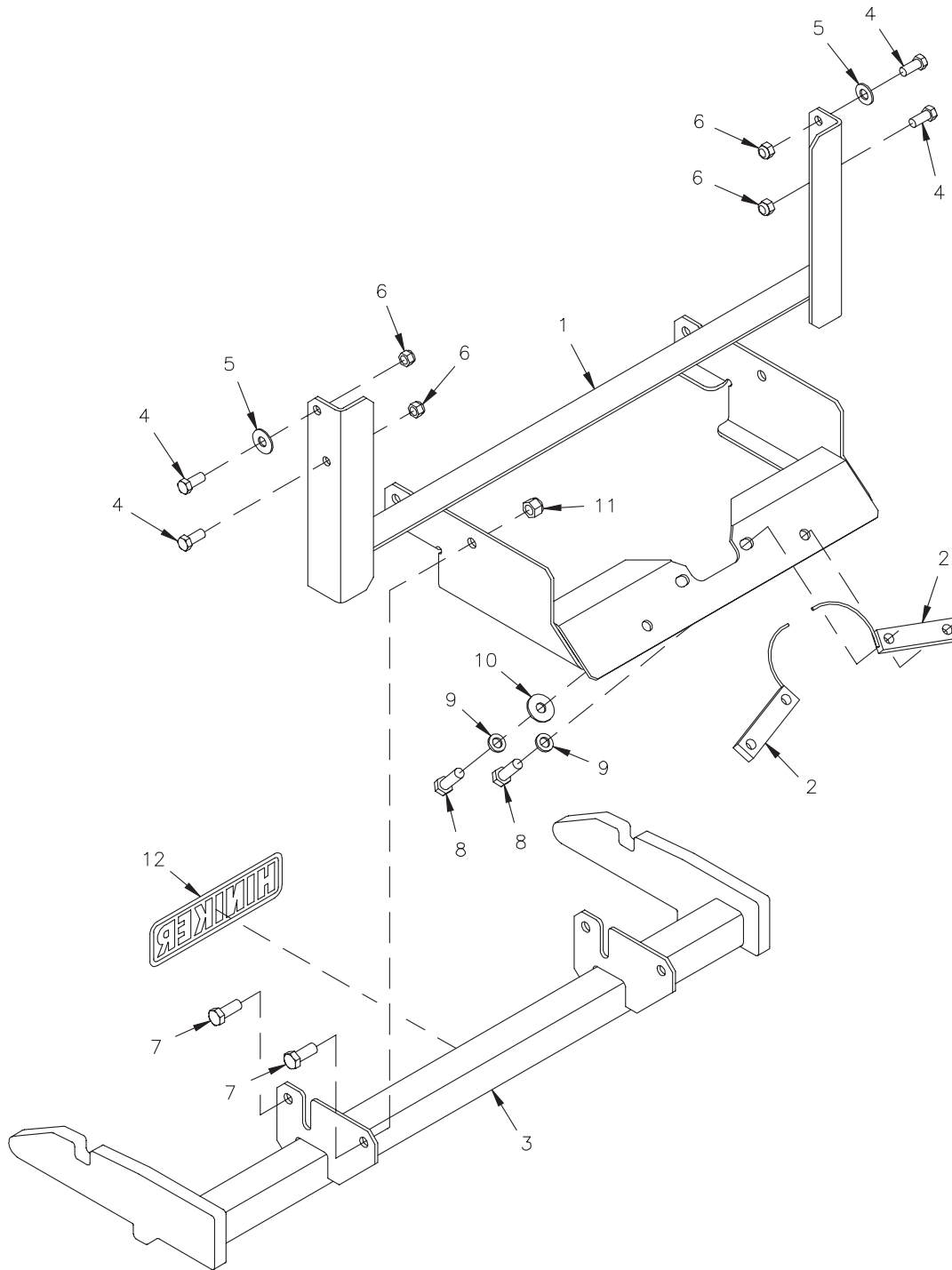
Mount Kit 25010347
QH2 Mount Kit 25012878

DWG. NO. 3115C

REF. NO.	PART NUMBER	DESCRIPTION	QTY.	REF. NO.	PART NUMBER	DESCRIPTION	QTY.
1A	25010177	Prong Weldment	1	8	951-003-003	Lock Nut 7/16-14 Nylon Insert	2
1B	25012896	Prong Weldment - QH2	1	9	950-001-132	Hex Head Cap Screw 5/8-11 x 1 3/4 Gr. 5	16
2	25010359	Front Mount Weldment	1	10	060756	Lock Nut 5/8-11 Nylon Insert	16
3	25010355	Mount Frame Weldment	1	11	950-001-125	Hex Head Cap Screw 1/2-13 x 1 1/2 Gr. 5	6
4	25010348	RH Bracket Weldment	1	12	951-003-009	Lock Nut 1/2-13 Nylon Insert	6
5	25010352	LH Bracket Weldment	1	13	25010008	Hiniker Decal	1
6	950-001-094	Hex Head Cap Screw 7/16-14 x 1 1/2 Gr. 5	8		25011163	Bolt Bag	
7	952-002-004	Flat Washer 7/16 Inch	4				

TRUCK MOUNT KITS

MOUNT KIT: DODGE DAKOTA 4X4
2000-2004



SEC
14

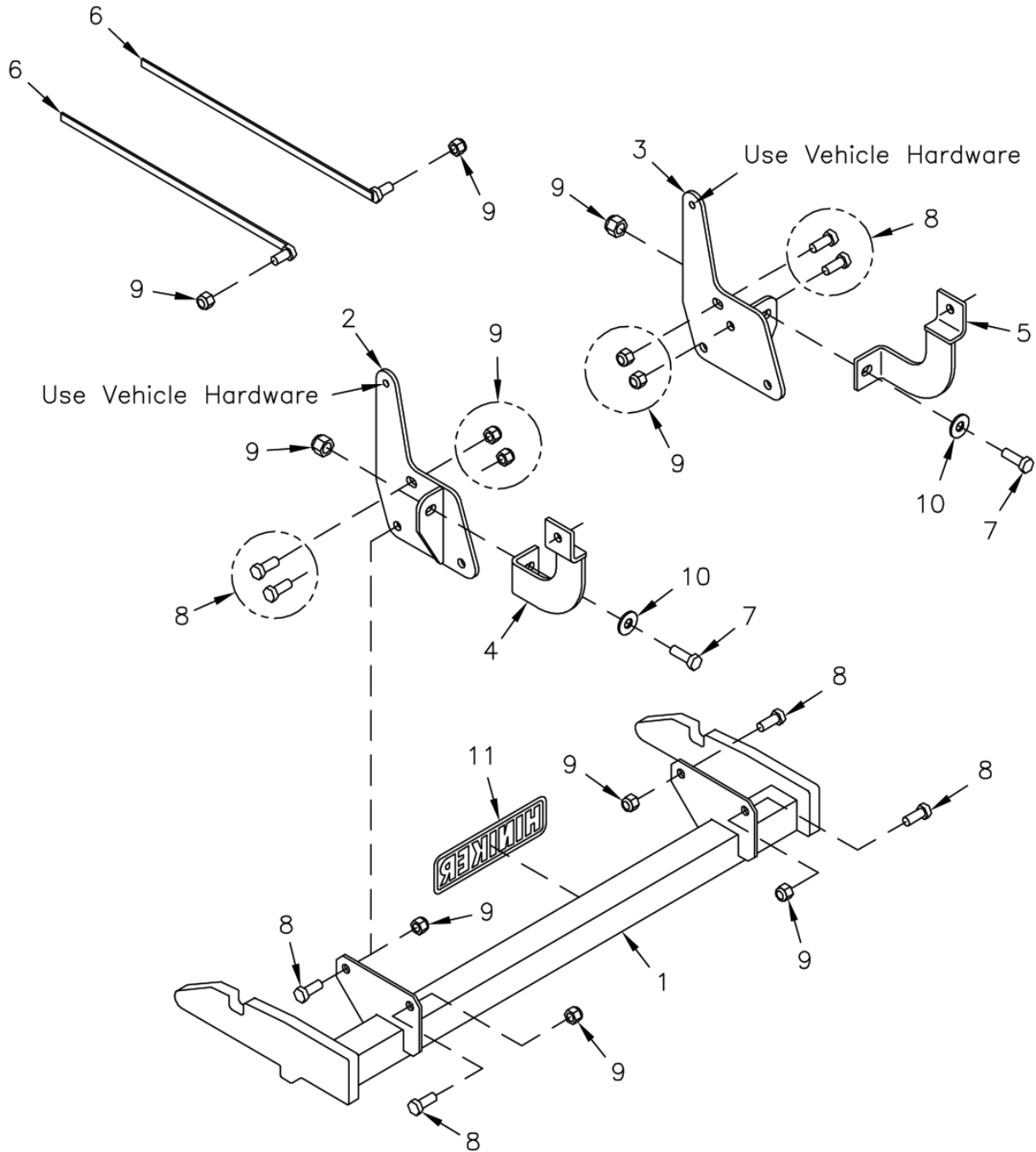
Mount Kit 25011816

DWG. NO. 5672

REF. NO.	PART NUMBER	DESCRIPTION	QTY.	REF. NO.	PART NUMBER	DESCRIPTION	QTY.
1	25011820	Frame Weldment	1	8	950-001-125	Hex Head Cap Screw 1/2-13 X 1 1/2 Gr. 5	4
2	25011821	Nut Bar Weldment	2	9	952-001-004	Lock Washer, 1/2 Inch	4
3	25011822	Prong Weldment	1	10	952-002-005	Flat Washer, 1/2 Inch	2
4	950-001-109	Hex Head Cap Screw 7/16-14 X 1 Gr. 5	4	11	951-003-009	Lock Nut 1/2-13 Nylon Insert	4
5	952-002-004	Flat Washer, 7/16 Inch	2	12	25010008	Hiniker Decal	1
6	951-003-003	Lock Nut 7/16-14 Nylon Insert	4		25011824	Bolt Bag	1
7	950-001-111	Hex Head Cap Screw 1/2-13 X 1 1/4 Gr. 5	4				

TRUCK MOUNT KITS

MOUNT KIT: JEEP 4X4 WRANGLER JL
2018 & NEWER



SEC
14

Mount Kit 25013989

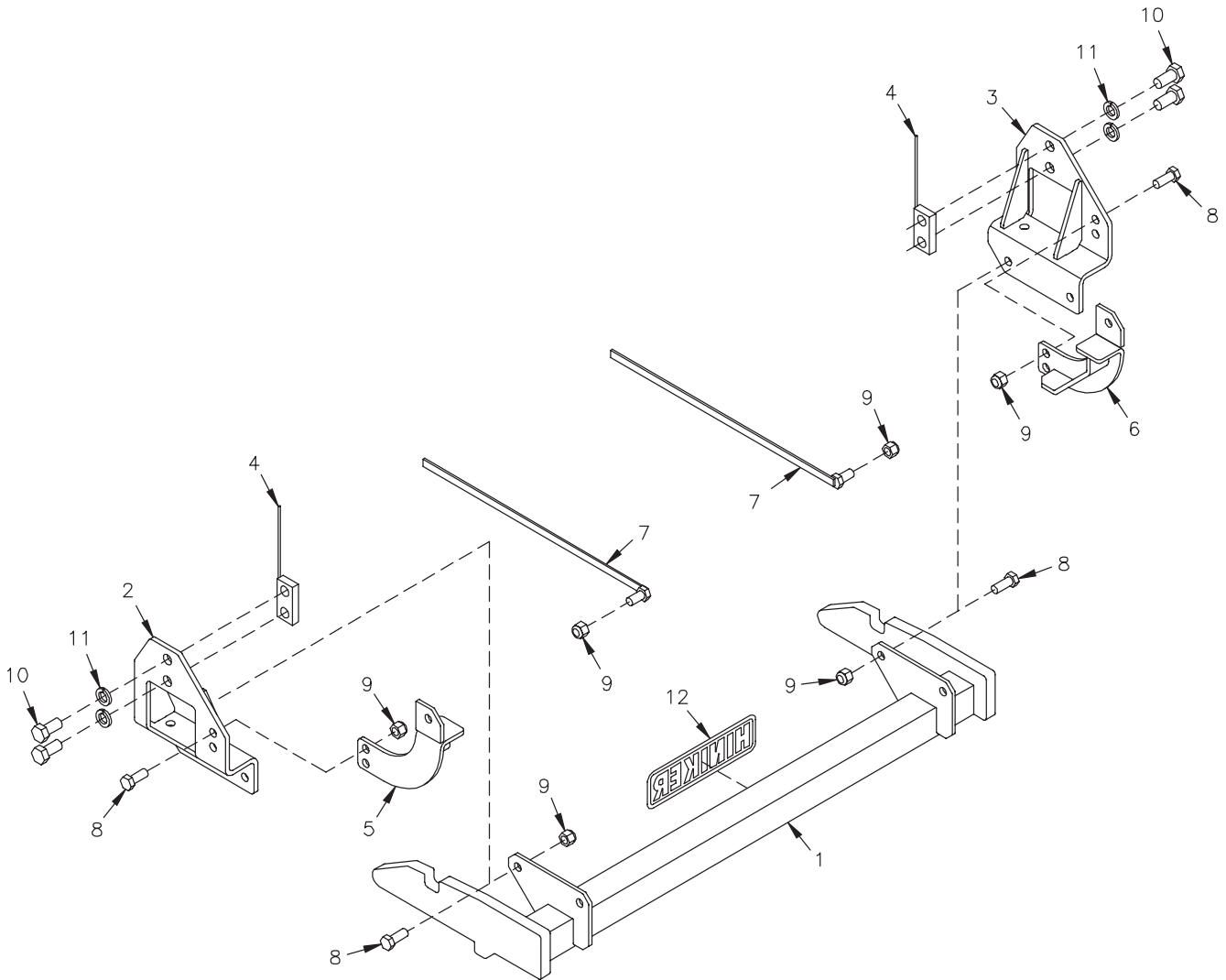
DWG. NO. 7652

REF. NO.	PART NUMBER	DESCRIPTION	QTY.	REF. NO.	PART NUMBER	DESCRIPTION	QTY.
1	25013990	Prong Weldment	1	7	950-001-125	Hex Head Cap Screw 1/2-13 x 1 1/2 Gr. 5	2
2	25013991	LH Bracket Weldment	1	8	950-001-111	Hex Head Cap Screw 1/2-13 x 1 1/4 Gr. 5	8
3	25013992	RH Bracket Weldment	1	9	951-003-009	Lock Nut 1/2-13 Nylon Insert	12
4	25013993	LH Rear Bracket Weldment	1	10	952-002-005	Flat Washer, 1/2 Inch	2
5	25013994	RH Rear Bracket Weldment	1	11	25010008	Hiniker Decal	1
6	25012561	Bolt Weldment	2				

TRUCK MOUNT KITS

MOUNT KIT: JEEP 4X4 WRANGLER JK
2007 - 2018

SEC
14



Mount Kit 25012566

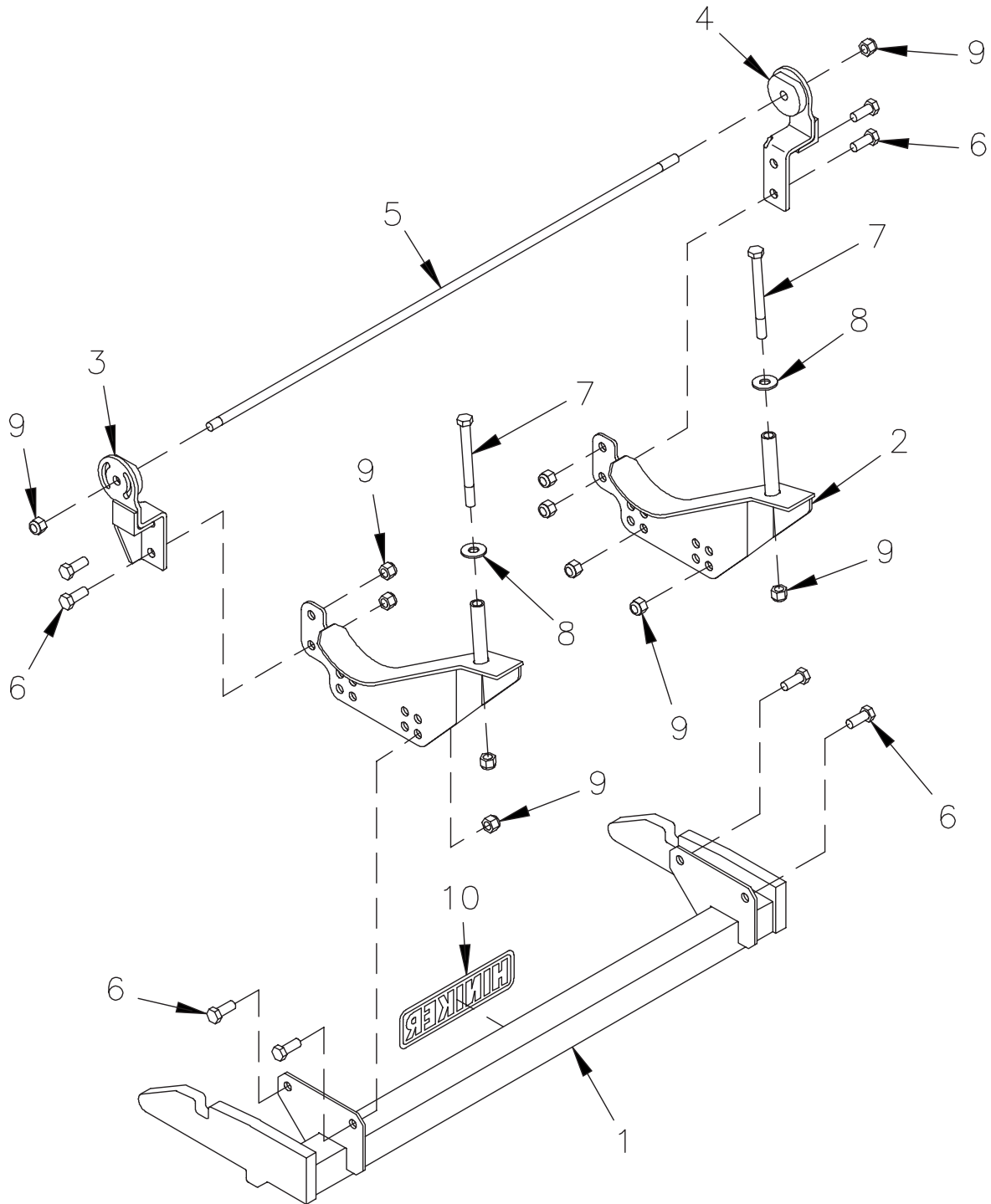
DWG. NO. 6200B

REF. NO.	PART NUMBER	DESCRIPTION	QTY.	REF. NO.	PART NUMBER	DESCRIPTION	QTY.
1	25012556	Prong Weldment	1	8	950-001-111	Hex Head Cap Screw 1/2-13 x 1 1/4 Gr. 5	8
2	25013243	LH Front Bracket Weldment	1	9	951-003-009	Lock Nut 1/2-13 Nylon Insert	10
3	25013244	RH Front Bracket Weldment	1	10	031-06302	Hex Head Cap Screw 5/8-11 x 1 1/4 Gr. 5	4
4	25012848	Nut Bar Weldment	2	11	952-001-005	Lock Washer 5/8 Inch	4
5	25012559	LH Rear Bracket Weldment	1	12	25010008	Hiniker Decal	1
6	25012560	RH Rear Bracket Weldment	1		25012565	Bolt Bag	1
7	25012561	Bolt Weldment	2				

TRUCK MOUNT KITS

MOUNT KIT: JEEP 4X4 WRANGLER TJ
1997 - 2006

SEC
14

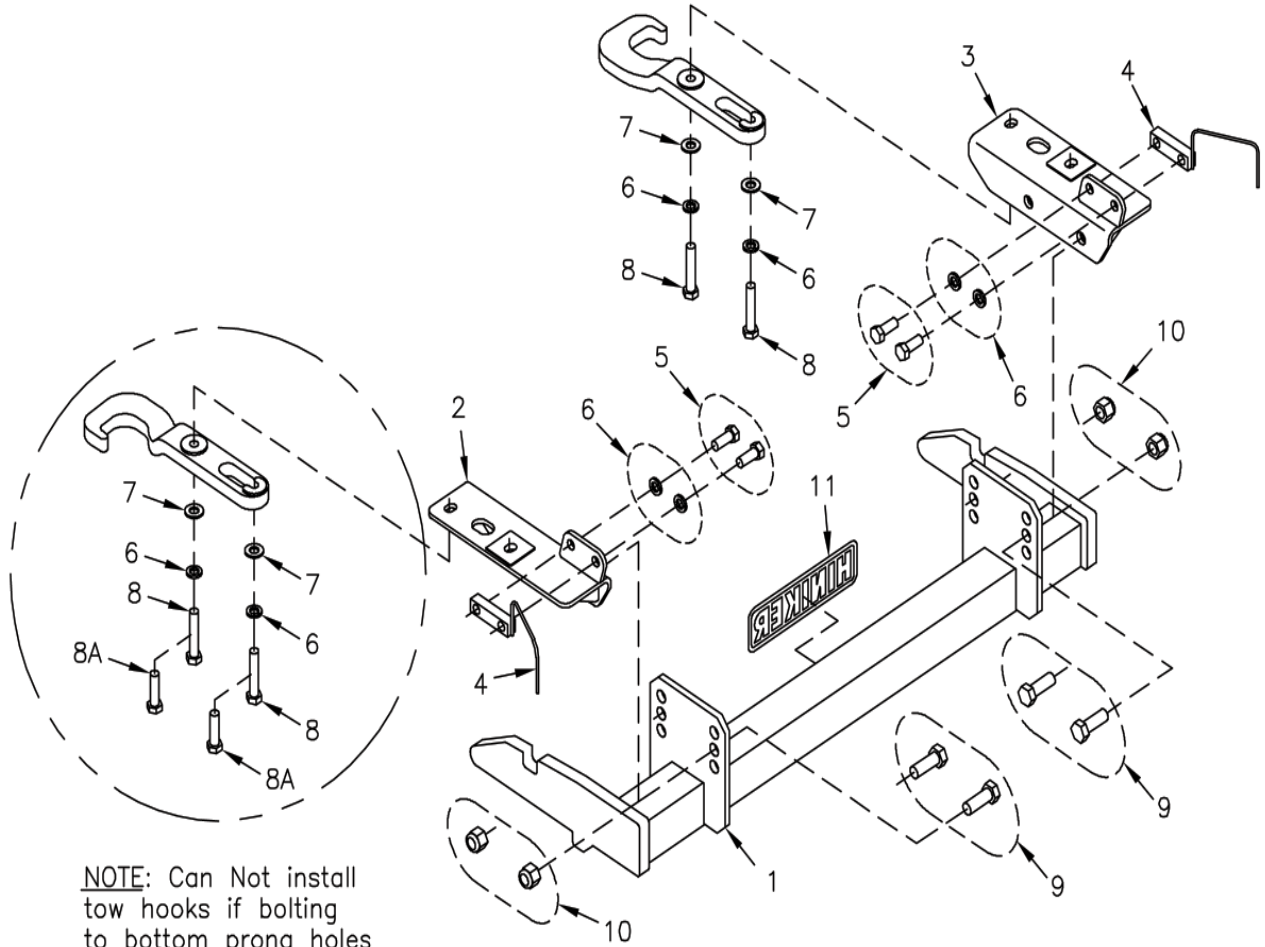


Mount Kit 25012182

DWG. NO. 5869

REF. NO.	PART NUMBER	DESCRIPTION	QTY.	REF. NO.	PART NUMBER	DESCRIPTION	QTY.
1	25012174	Prong Weldment	1	7	950-001-271	Hex Head Cap Screw 1/2-13 x 5 1/4 Gr. 8	2
2	25012175	Side Bracket Weldment	2	8	952-004-067	Flat Washer, 1/2 Inch Hardened	2
3	25012176	LH Front Bracket Weldment	1	9	951-003-009	Lock Nut 1/2-13 Nylon Insert	12
4	25012177	RH Front Bracket Weldment	1	10	25010008	Hiniker Decal	1
5	25012178	Threaded Rod	1		25012181	Bolt Bag	1
6	950-001-111	Hex Head Cap Screw 1/2-13 x 1 1/4 Gr. 5	8				

MOUNT KIT: NISSAN 4X4
2018 & NEWER TITAN XD



NOTE: Can Not install tow hooks if bolting to bottom prong holes

SEC
14

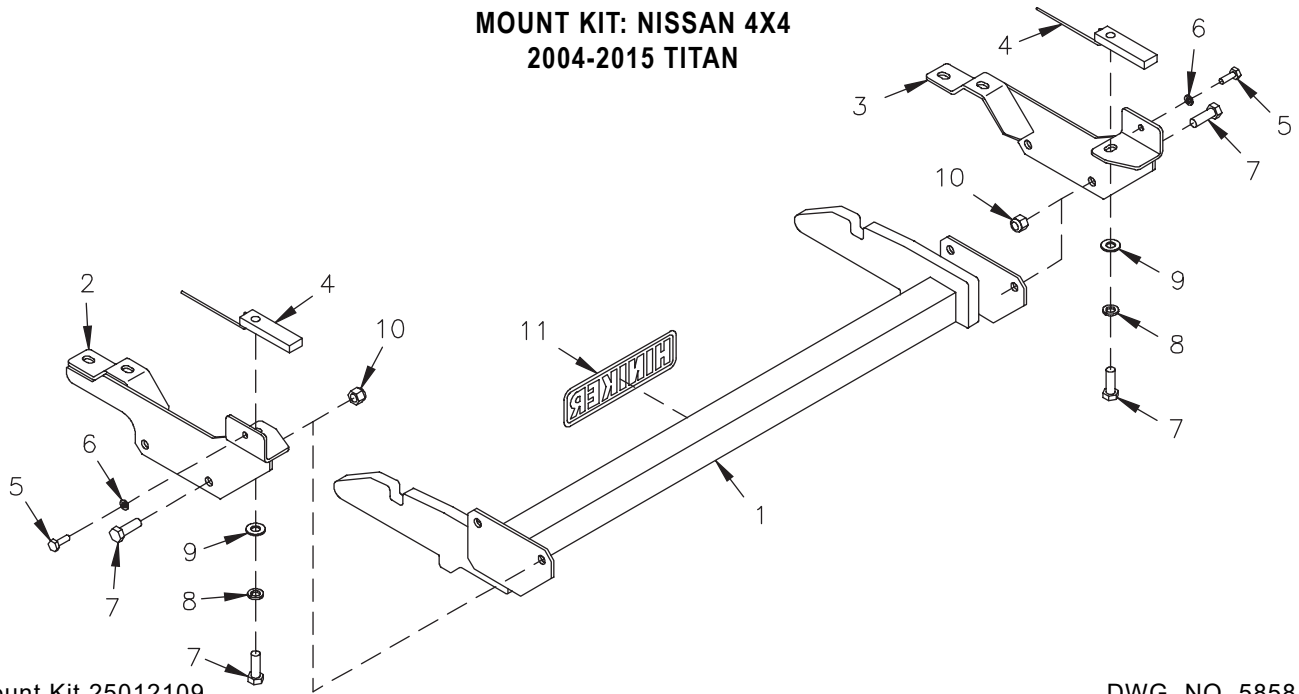
Mount Kit 25013978

DWG. NO. 7643

REF. NO.	PART NUMBER	DESCRIPTION	QTY.	REF. NO.	PART NUMBER	DESCRIPTION	QTY.
1	25013979	Prong Weldment	1	8	950-011-065	Hex Head Cap Screw M12x1.25x65 CL 10.9	4
2	25013980	LH Bracket Weldment	1	8A	950-011-066	Hex Head Cap Screw M12x1.25x45 CL 10.9	4
3	25013981	RH Bracket Weldment	1	9	950-001-132	Hex Head Cap Screw 5/8-11 x 1 3/4 Gr. 5	4
4	25013572	Nut Bar Weldment	2	10	060756	Lock Nut 5/8-11 Nylon Insert	4
5	950-001-111	Hex Head Cap Screw 1/2-13 x 1 1/4 Gr. 5	4	11	25010008	Hiniker Decal	1
6	952-001-004	Lock Washer, 1/2 Inch	8	25013984	25013984	Bolt Bag	1
7	952-003-004	SAE Flat Washer, 1/2 Inch	4				

TRUCK MOUNT KITS

MOUNT KIT: NISSAN 4X4 2004-2015 TITAN



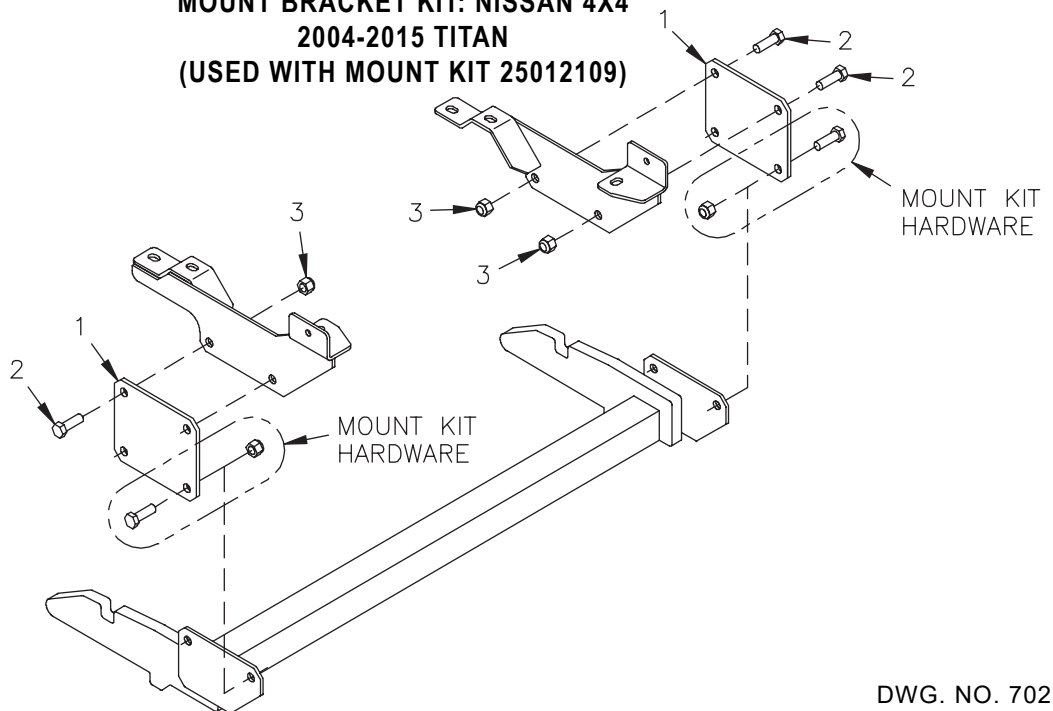
Mount Kit 25012109

DWG. NO. 5858

SEC 14

REF. NO.	PART NUMBER	DESCRIPTION	QTY.	REF. NO.	PART NUMBER	DESCRIPTION	QTY.
1	25012110	Prong Weldment	1	7	950-001-125	Hex Head Cap Screw 1/2-13 x 1 1/2 Gr. 5	6
2	25012111	LH Bracket Weldment	1	8	952-001-004	Lock Washer 1/2 Inch	2
3	25012112	RH Bracket Weldment	1	9	952-003-004	SAE Flat Washer 1/2 Inch	2
4	25012113	Nut Bar Weldment	2	10	951-003-009	Lock Nut 1/2-13 Nylon Insert	4
5	950-011-059	Hex Head Cap Screw M8 x 1.25 x 25 CL. 8.8	2	11	25010008	Hiniker Decal	1
6	952-001-002	Lock Washer 5/16 Inch	2		25012115	Bolt Bag	1

MOUNT BRACKET KIT: NISSAN 4X4 2004-2015 TITAN (USED WITH MOUNT KIT 25012109)



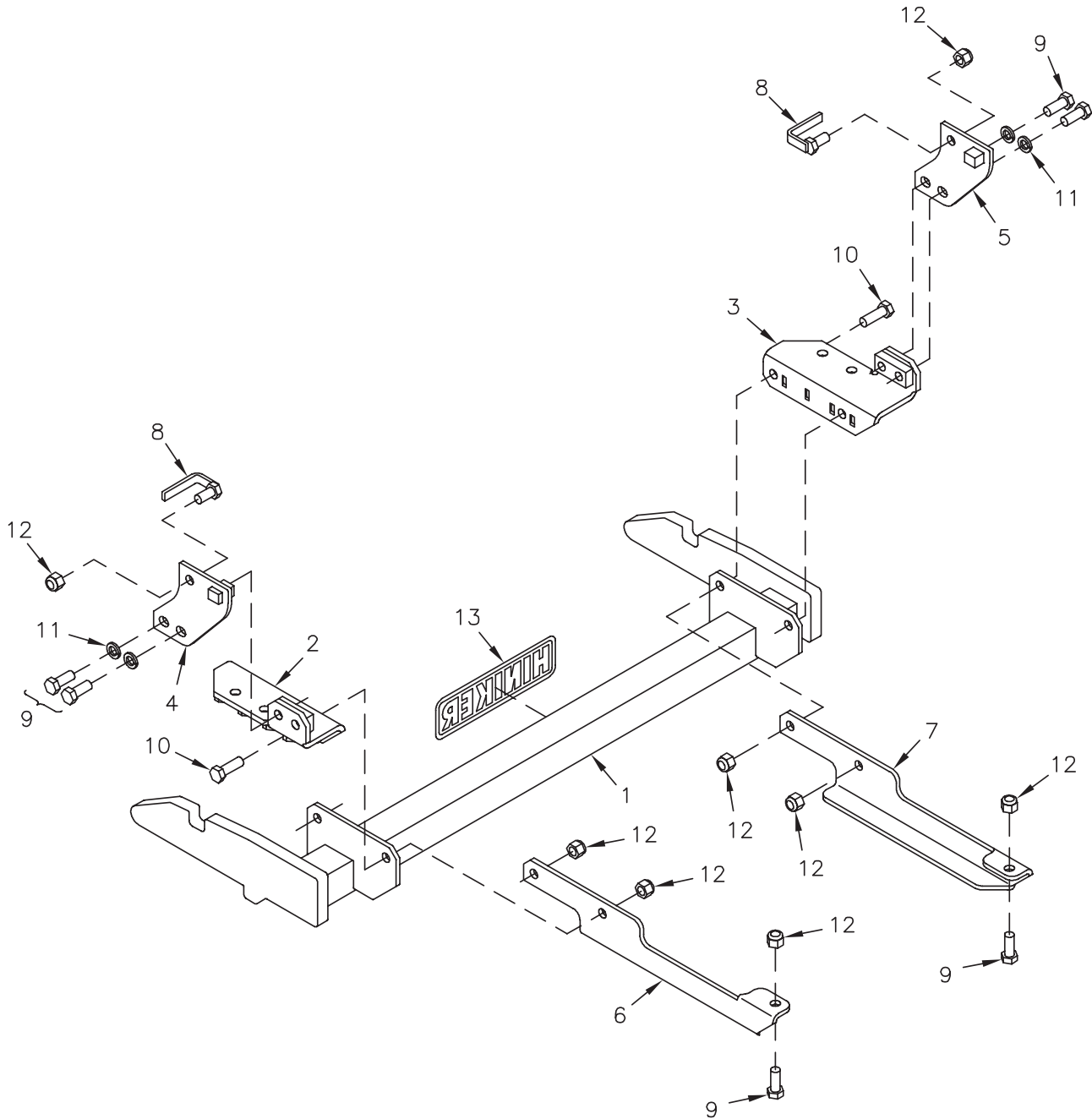
Adapter Kit 25013346

DWG. NO. 7022

REF. NO.	PART NUMBER	DESCRIPTION	QTY.	REF. NO.	PART NUMBER	DESCRIPTION	QTY.
1	25013347	Adapter Plate	2	3	951-003-009	Lock Nut 1/2-13 Nylon Insert	4
2	950-001-125	Hex Head Cap Screw 1/2-13 x 1 1/2 Gr. 5	4				

TRUCK MOUNT KITS

MOUNT KIT: TOYOTA 4X4
2007 & NEWER TUNDRA



SEC
14

Mount Kit 25012508

DWG. NO. 6132

REF. NO.	PART NUMBER	DESCRIPTION	QTY.	REF. NO.	PART NUMBER	DESCRIPTION	QTY.
1	25012492	Prong Weldment	1	8	25012500	Bolt Weldment	2
2	25012494	LH Bracket Weldment	1	9	950-001-111	Hex Head Cap Screw 1/2-13 x 1 1/4 Gr. 5	6
3	25012499	RH Bracket Weldment	1	10	950-001-125	Hex Head Cap Screw 1/2-13 x 1 1/2 Gr. 5	4
4	25012504	LH Side Plate Weldment	1	11	952-001-004	Lock Washer 1/2 Inch	4
5	25012505	RH Side Plate Weldment	1	12	951-003-009	Lock Nut 1/2-13 Nylon Insert	8
6	25012552	LH Side Rear Bracket	1	13	25010008	Hiniker Decal	1
7	25012553	RH Side Rear Bracket	1		25012506	Bolt Bag	1

