

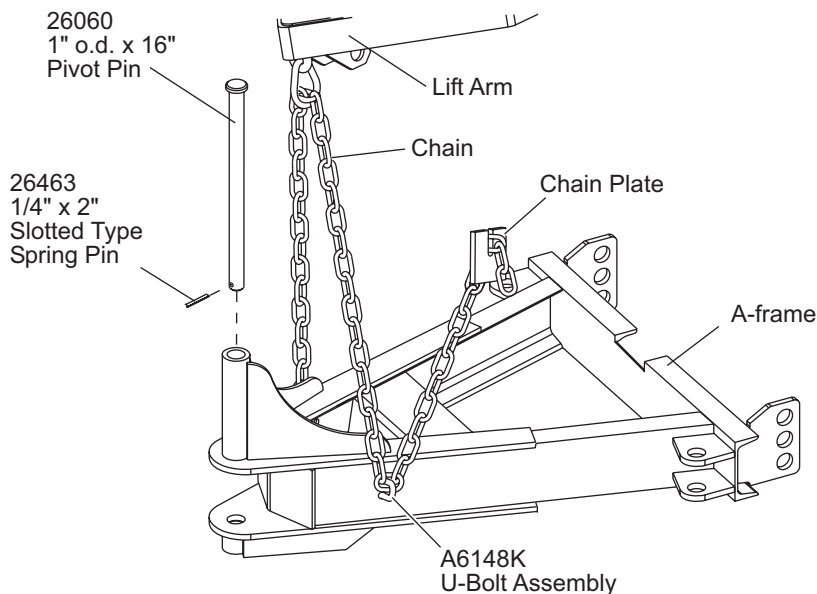


Fisher Engineering

P.O. Box 529 Rockland, Maine 04841

March 27, 2001
Lit. No. 26092

A-Frame Kits for 7-1/2', 8', 8-1/2', and 9' M-Series Blades Parts List and Diagram



A-frame Kit – 26090 RD			
Ref #	Part #	Qty	Description
	*	1	A-frame, RD
-	8565	1	5/16" x 96" Chain
ns	26088	1	Bolt Bag
* available as part of service kit only ns = not shown			

A-frame Kit – 26410 HD			
Ref #	Part #	Qty	Description
-	*	1	A-frame, HD
ns	26088	1	Bolt Bag
-	8555	1	5/16" x 108" Chain
* available as part of service kit only ns = not shown			

Bolt Bag – 26088			
Ref #	Part #	Qty	Description
	*	2	3/8-16 U-bolt
-	26463	1	1/4" x 2" Slotted Type Spring Pin
-	*	4	3/8" Lock Washer
-	*	4	3/8-16 Nut
-	26060	1	1" o.d. x 16" Pivot Pin
* available as part of service kit only			

U-Bolt Assembly – A6148K		
Part #	Qty	Description
90453	1	3/8-16 U-Bolt Gr. 5
90361	2	3/8" Lock Washer
90334	2	3/8-16 Nut

26090 RD
26410 HD

Copyright © 2001 Douglas Dynamics, L.L.C. All rights reserved. This material may not be reproduced or copied, in whole or in part, in any printed, mechanical, electronic, film or other distribution and storage media, without the written consent of Fisher Engineering. Authorization to photocopy items for internal or personal use by Fisher Engineering outlets is granted.

Fisher Engineering reserves the right under its product improvement policy to change construction or design details and furnish equipment when so altered without reference to illustrations or specifications used herein. Fisher Engineering and the vehicle manufacturer may require and/or recommend optional equipment for snow removal. Fisher Engineering offers a limited warranty for all snowplows and accessories. See separately printed page for this important information. The following is a registered (®) trademark of Douglas Dynamics, L.L.C.: FISHER®

Printed in USA