



Fisher Engineering

P.O. Box 529 Rockland, Maine 04841

July 1, 2005

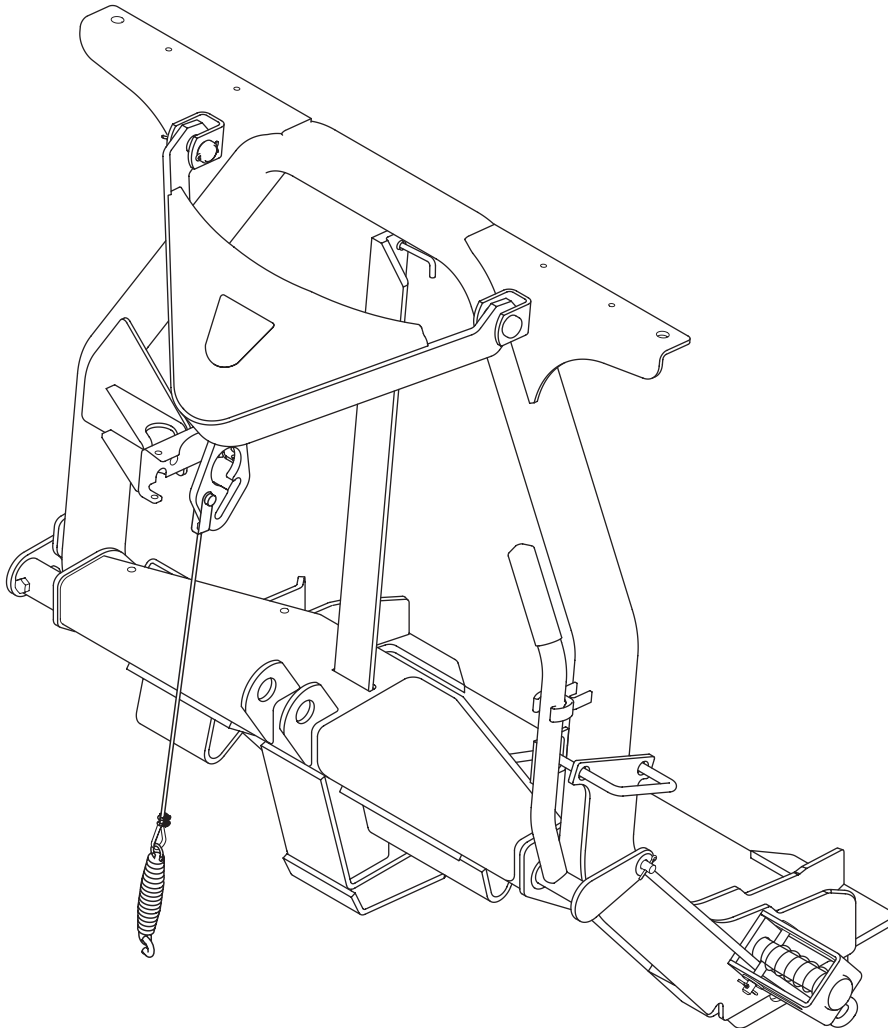
Lit. No. 26156, Rev. 07

Minute² **Mount[®]** **SYSTEM**

HEADGEAR KIT

MC Series

Parts List



29999 Headgear Kit			
Item	Part	Qty	Description
1	28571	1	Headgear – MC
2	28350-1	1	Lift Arm Kit – MC, Yellow
3	28995	1	Lift Arm – MC, Yellow
4	26777	1	Nameplate Decal, MM2
5	28991	1	Stop Link Kit
6	29037	1	Clevis Pin w/Cotter
7	26172	1	Jack – MC
8	27163K	1	Bushing Kit (2 bushings)
9	4289K	2	3/4 x 1-7/8 Machine Pin Packet
10	90658	5	5/32 x 1-1/4 Cotter Pin
11	27468	1	Handle-Link Arm Assembly
12	27195	1	Flexible Blade Guide Kit – 26"
13	27451	1	Label, MM2 Headgear
14	27166K	1	Wire Cam Kit – DS
15	27167K	1	Wire Cam Kit – PS
16	90315	4	3/8 Flat Washer
17	91902	2	1/8 x 1 Cotter Pin
18	27478	1	Jack Lock
19	27461	1	Compression Spring, 3/4 OD x 3-1/2
20	27168K	2	Connecting Pin Kit
21	821	2	Compression Spring, 1 ID x 3-1/2
22	26833	2	1 OD x 6-15/16 Pin
23	27162K	1	Stop Clip Kit
24	27535	1	Handle Cover Kit
25	27465	1	Link Arm
26	90043	1	3/8-16 x 2 Hex Cap Screw G5
27	91333	1	3/8-16 Hex Locknut GB
28	26219	2	Clevis Pin Kit
ns	26154	1	Bolt Bag for 29999
ns	28351	1	Chain Bag – MC
26154 Bolt Bag for 29999			
29	A6148K	2	U-Bolt Assembly
30	27534	1	Spring / U-Bolt Kit
31	27171K	1	Clevis Kit
32	27169K	1	Cable Kit
33	27075	2	1/8 Wire Rope Clip
34	27172K	2	Clamp Loop Kit
35	26164	2	1-1/4 x 3-1/16 Pin
36	90013	2	1/4 x 2 Cotter Pin
37	27164K	1	Handle Kit
ns = not shown			

29999 MC

Copyright © 2005 Douglas Dynamics, L.L.C. All rights reserved. This material may not be reproduced or copied, in whole or in part, in any printed, mechanical, electronic, film or other distribution and storage media, without the written consent of Fisher Engineering. Authorization to photocopy items for internal or personal use by Fisher Engineering outlets or snowplow owner is granted.

Fisher Engineering reserves the right under its product improvement policy to change construction or design details and furnish equipment when so altered without reference to illustrations or specifications used. Fisher Engineering and the vehicle manufacturer may require and/or recommend optional equipment for snow removal. Do not exceed vehicle ratings with a snowplow. Fisher Engineering offers a limited warranty for all snowplows and accessories. See separately printed page for this important information. The following are registered (®) trademarks of Douglas Dynamics, L.L.C.: FISHER®, Minute Mount® 2.

Printed in U.S.A.