



Fisher Engineering

P.O. Box 529 Rockland, Maine 04841

March 17, 2003
Lit. No. 26206



Attachment Kit Installation Instructions

Chevy Kodiak (C5500/6500/7500)

1997–2002

GMC Topkick

1997–2002

⚠ CAUTION

Read this document before installing the snowplow.

⚠ CAUTION

See your FISHER® outlet for application recommendations. The Kit Selection Guide has specific vehicle and snowplow requirements.

SAFETY DEFINITIONS

⚠ WARNING

Indicates a potentially hazardous situation that, if not avoided, could result in death or serious personal injury.

⚠ CAUTION

Indicates a potentially hazardous situation that, if not avoided, could result in damage to product or property.

NOTE: Identifies tips, helpful hints, and maintenance information the owner/operator should know.

⚠ WARNING

Keep hands and feet clear of the blade and A-frame when mounting or removing the snowplow. Moving or falling assemblies could cause personal injury.

⚠ WARNING

Do not exceed GVWR or GAWR including blade and ballast. The rating label is found on driver-side vehicle door cornerpost.

⚠ CAUTION

Refer to the Kit Selection Guide for minimum vehicle recommendations and ballast requirements.

⚠ CAUTION

To prevent accidental movement of the blade, always turn the ON/OFF switch to OFF whenever the snowplow is not in use. The control indicator light will turn off.

SAFETY PRECAUTIONS

Improper installation and operation could cause personal injury, and/or equipment and property damage. Read and understand labels and the *Owner's Manual* before installing, operating, or making adjustments.

⚠ WARNING

Lower blade when vehicle is parked. Temperature changes could change hydraulic pressure, causing the blade to drop unexpectedly or damaging hydraulic components. Failure to do this can result in serious personal injury.

⚠ WARNING

Remove blade assembly before placing vehicle on hoist.

⚠ WARNING

The driver shall keep bystanders clear of the blade when it is being raised, lowered or angled. Do not stand between the vehicle and the blade or within 8 feet of a moving blade. A moving or falling blade could cause personal injury.

PERSONAL SAFETY

- Wear only snug-fitting clothing while working on your vehicle or snowplow.
- Do not wear jewelry or a necktie, and secure long hair.
- Wear safety goggles to protect your eyes from battery acid, gasoline, dirt and dust.
- Avoid touching hot surfaces such as the engine, radiator, hoses and exhaust pipes.
- Always have a fire extinguisher rated BC handy, for flammable liquids and electrical fires.

FIRE AND EXPLOSION**⚠ WARNING**

Gasoline is highly flammable and gasoline vapor is explosive. Never smoke while working on a vehicle. Keep all open flames away from gasoline tanks and lines. Wipe up any spilled gasoline immediately.




Be careful when using gasoline. Do not use gasoline to clean parts. Store only in approved containers away from sources of heat or flame.

VENTILATION**⚠ WARNING**

Vehicle exhaust contains deadly carbon monoxide (CO) gas. Breathing this gas, even in low concentrations, could cause death. Never operate a vehicle in an enclosed area without venting exhaust to the outside.

TORQUE CHART**⚠ CAUTION**

Read instructions before assembling. Fasteners should be finger tight until instructed to tighten according to the torque chart. Use standard methods and practices when attaching snowplow including proper personal protective safety equipment.

Recommended Fastener Torque Chart (Ft.-Lb.)			
Size	 SAE Grade 2	 SAE Grade 5	 SAE Grade 8
1/4-20	6	9	13
5/16-18	11	18	28
3/8-16	19	31	46
3/8-24	24	46	68
7/16-14	30	50	75
1/2-13	45	75	115
9/16-12	66	110	165
5/8-11	93	150	225
3/4-10	150	250	370
7/8-9	150	378	591
1-8	220	583	893
Metric Grade 8.8 (Ft.-Lb.)			
Size	Torque	Size	Torque
M 6	7	M 12	60
M 8	17	M 14	95
M 10	35	M 16	155
These torque values apply to fasteners except those noted in the instruction.			

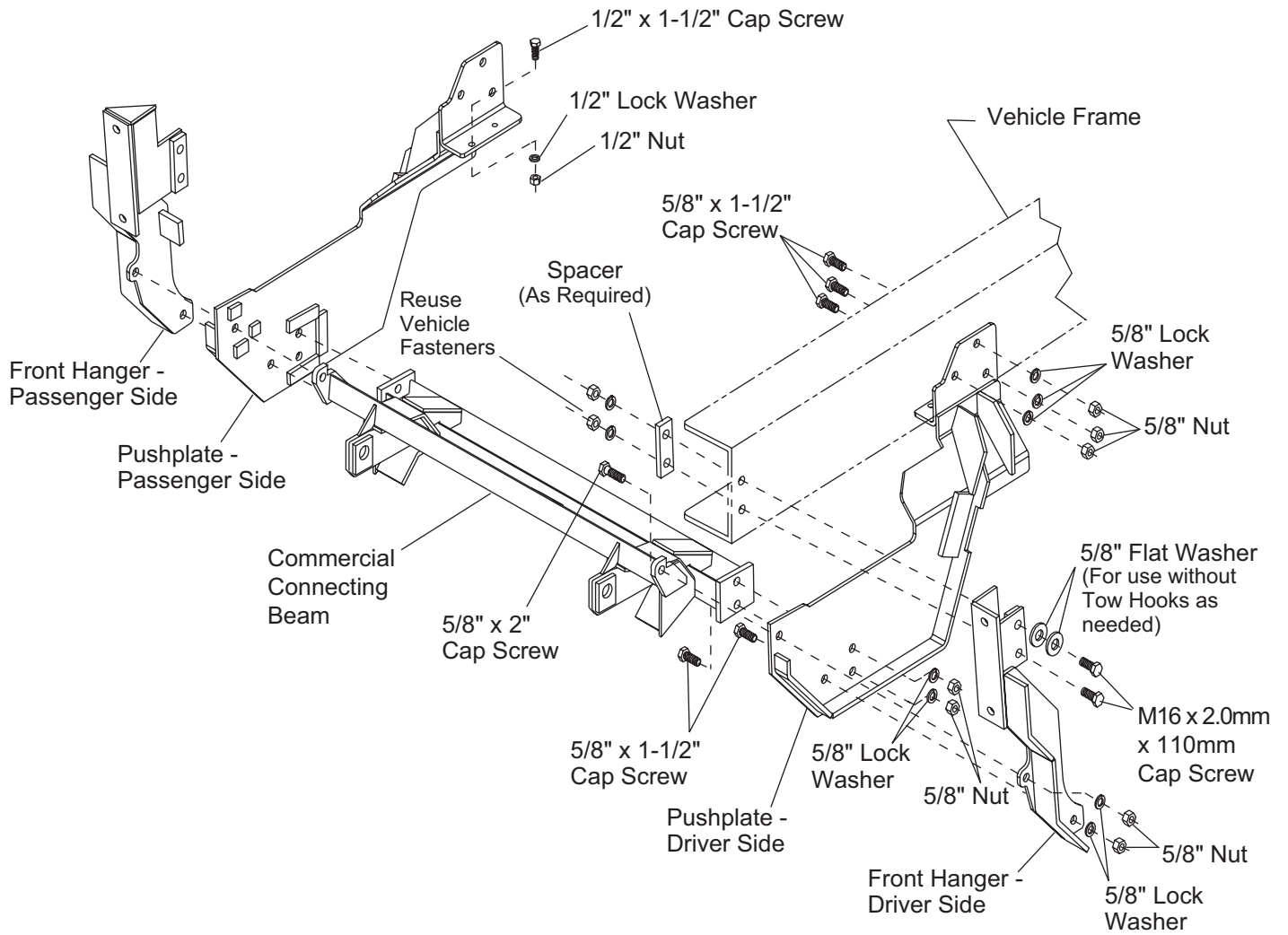
INSTALLATION INSTRUCTIONS

NOTE: To insure proper fit of attachments do not fully tighten any fasteners until told to do so.

1. Remove the front bumper. Remove the two front bolts from the tow hook on each side of the vehicle; save the hardened washers and nuts. Remove the two rubber bumpers and brackets above leaf spring and axle. Discard brackets and bolts from side of frame. Remove and discard the bolt and metal washer from bottom of frame holding rubber bumper. Do this for both sides.
2. On the driver-side bottom of frame, place a 1/2" x 1-1/2" cap screw down through the hole forward of rubber bumper hole in frame. Place driver-side pushplate under frame—between leaf spring and steering arm—and in front of shock tower. Place 1/2" x 1-1/2" cap screw down through frame and into forward hole on rear angle of pushplate. Secure with one 1/2" lock washer and nut. Reinstall rubber bumper.
3. Place driver-side front hanger behind bumper plate and outside of frame. Place two M16 x 2.0mm x 110mm cap screws with two previously removed washers through tow hook, frame and hanger. Secure with two previously removed washers and nuts. Use spacer as needed.
4. Repeat steps 2 and 3 on the passenger side.
5. Place connecting beam on floor jack. Clamp I-beam to lift cup and jack up assembly into place with connecting arms forward. Install four 5/8" x 1-1/2" cap screws out through the endplate of I-beam and pushplate. Secure with four 5/8" lock washers and nuts. On front hangers, install two 5/8" x 2" cap screws out through angle endplate, pushplate and top hole of each hanger. Secure with two 5/8" lock washers and nuts. On the bottom hanger, install two 5/8" x 1-1/2" cap screws out through pushplate and hanger. Secure with two 5/8" lock washers and nuts.
6. Tighten all fasteners beginning with the two on the rear angle of the pushplates.
7. On the side rear angle of both pushplates, drill six 5/8" holes through frame. Check to make sure the inside of the frame is clear. Install and tighten six 5/8" x 1-1/2" cap screws, lock washers and nuts.
8. Ream the front bumper brackets 17/32". Install bumper.

NOTE: After five to ten hours of snowplow usage, retorque all pushplate assembly fasteners.

For vehicles without tow hooks, two 5/8" flat washers must be added to each fastener.



Fisher Engineering reserves the right under its product improvement policy to change construction or design details and furnish equipment when so altered without reference to illustrations or specifications used. Fisher Engineering and the vehicle manufacturer may require and/or recommend optional equipment for snow removal. Do not exceed vehicle ratings with a snowplow. Fisher Engineering offers a limited warranty for all snowplows and accessories. See separately printed page for this important information. The following are registered (®) trademarks of Douglas Dynamics, L.L.C.: FISHER®, Minute Mount®.

Printed in U.S.A.