



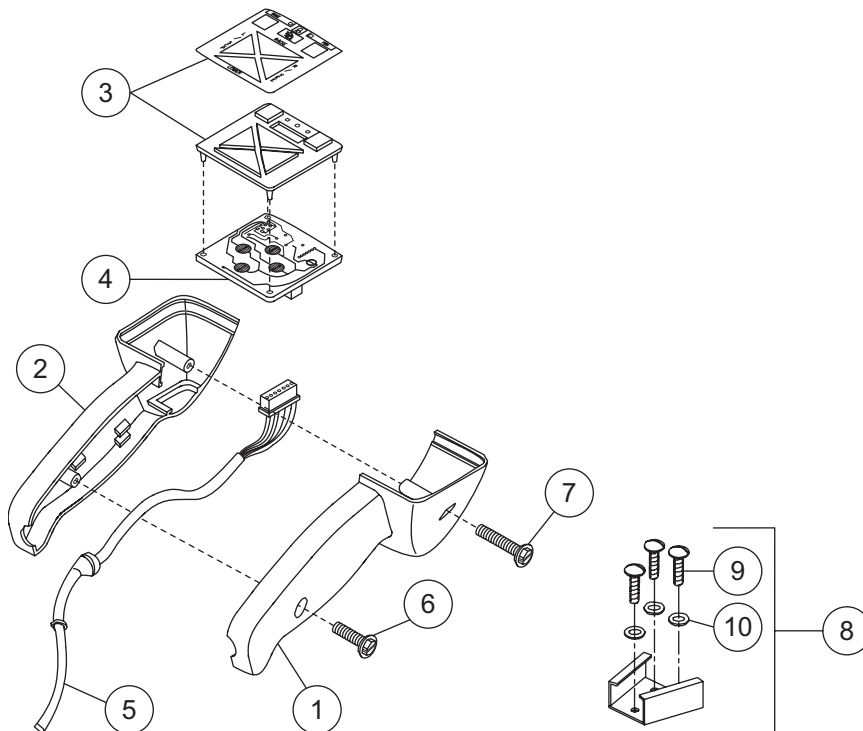
Fisher Engineering

P.O. Box 529 Rockland, Maine 04841

June 15, 2004
Lit. No. 26603



Hand-Held Control (6 Button) Parts List and Diagram



9700 EZ-V® Hand-Held Control (6 Button) Parts List

Item	Part	Qty	Description	Item	Part	Qty	Description
1	96456	1	Control Body - Right	6	93173	1	8-18 x 3/4 Tapping Screw
2	96457	1	Control Body - Left	7	93174	1	8-18 x 1-1/4 Tapping Screw
3	66794	1	EZ-V Keypad Assembly (6 Button)	8	64312	1	Parts Bag – Control Bracket
4	66793	1	PC Board Assembly (EZ-V), Service 6 Button (No Keypad)	9		3	6-32 x 1 Tapping Screw
5	66633	1	Harness, V-Plow 6-Button CPC Connector	10		3	#6 Spring Lock Washer
				ns	69190	1	Fuse Kit, V Plow (Pkg of 5)

ns = not shown

Copyright © 2004 Douglas Dynamics, L.L.C. All rights reserved. This material may not be reproduced or copied, in whole or in part, in any printed, mechanical, electronic, film or other distribution and storage media, without the written consent of Fisher Engineering. Authorization to photocopy items for internal or personal use by Fisher Engineering outlets or snowplow owner is granted.

Fisher Engineering reserves the right under its product improvement policy to change construction or design details and furnish equipment when so altered without reference to illustrations or specifications used. Fisher Engineering and the vehicle manufacturer may require and/or recommend optional equipment for snow removal. Do not exceed vehicle ratings with a snowplow. Fisher Engineering offers a limited warranty for all snowplows and accessories. See separately printed page for this important information. The following are registered (®) trademarks of Douglas Dynamics, L.L.C.: EZ-V®, FISHER®, Fish-Stik®.

Printed in U.S.A.