



**Fisher Engineering**

50 Gordon Drive, Rockland, Maine 04841-2139 • www.fisherplows.com

January 15, 2009  
Lit. No. 26689, Rev. 04

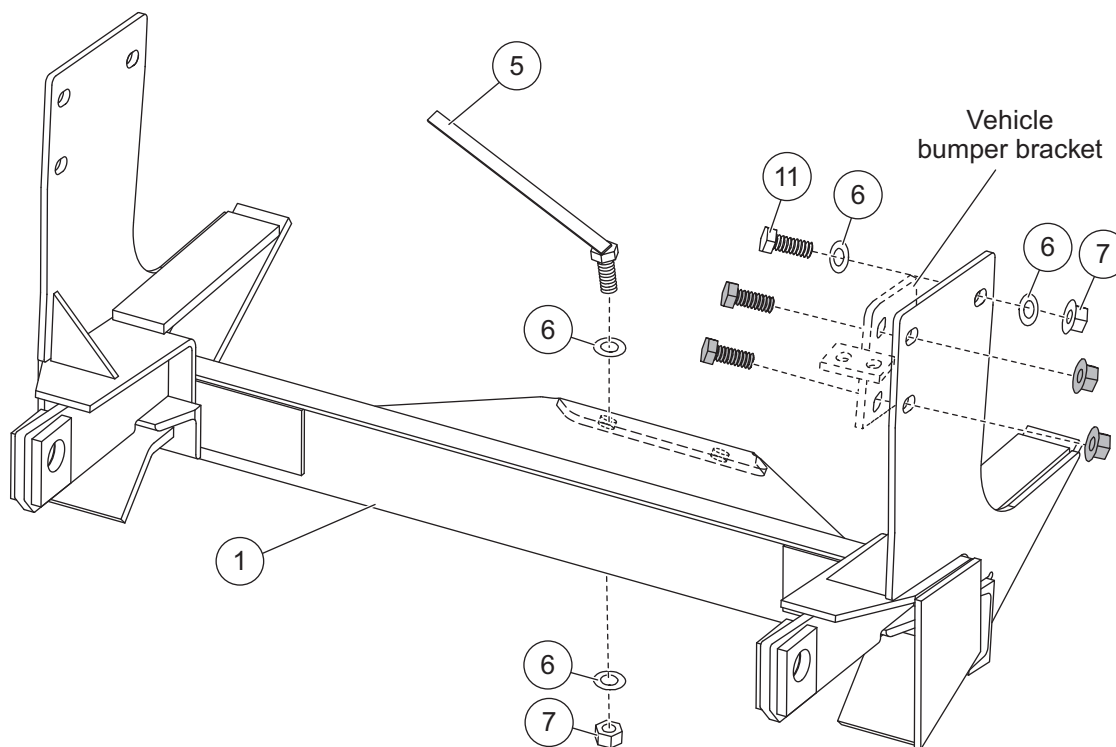
# Minute<sup>2</sup> SYSTEM

## MOUNT KIT

**Dodge Dakota**  
**Dodge Durango**

**2000 - 04**  
**2000 - 03**

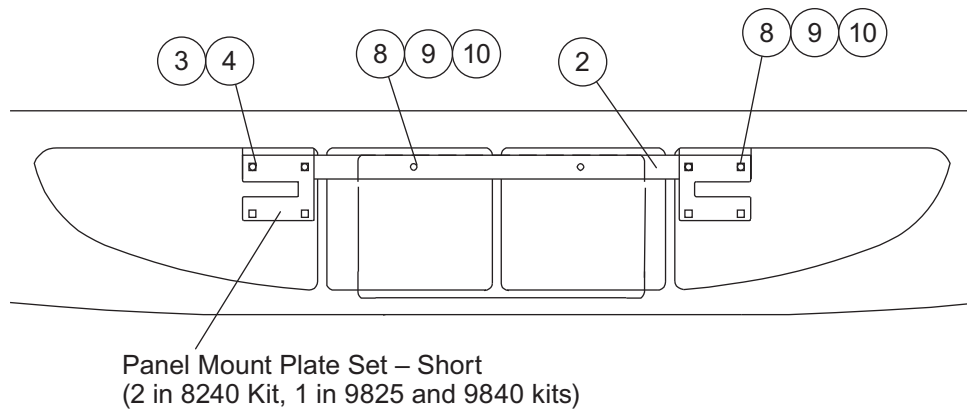
### Parts List



Shaded parts are original vehicle fasteners.

7165 Mount Kit							
Item	Part	Qty	Description	Item	Part	Qty	Description
1	26686	1	Pushplate Assembly	5	21590	2	1/2-13 x 1-1/2 Hex Cap Screw G5 w/Handle
2	21877	1	License Plate Bracket	ns	26692	1	Bolt Bag – 7165
3	21845	2	Grille Plug Bracket				
4	21875	2	Backing Plate				
26692 Bolt Bag – 7165							
6	90572	8	1/2 Hardened Flat Washer	10	90461	14	1/4-20 x 3/4 Hex Cap Screw G5
7	90355	4	1/2-13 Hex Locknut GB	11	90575	2	1/2-13 x 1-1/4 Hex Cap Screw G5
8	91411	14	1/4-20 Hex Nut G5	ns	59223	2	Hose Tie
9	91201	14	1/4 Spring Lock Washer				
ns = not shown				G = Grade			

**Grille Bracket/License Plate Bracket**



Copyright © 2009 Douglas Dynamics, L.L.C. All rights reserved. This material may not be reproduced or copied, in whole or in part, in any printed, mechanical, electronic, film or other distribution and storage media, without the written consent of Fisher Engineering. Authorization to photocopy items for internal or personal use by Fisher Engineering outlets or snowplow owner is granted.

Fisher Engineering reserves the right under its product improvement policy to change construction or design details and furnish equipment when so altered without reference to illustrations or specifications used. Fisher Engineering or the vehicle manufacturer may require or recommend optional equipment for snow removal. Do not exceed vehicle ratings with a snowplow. Fisher Engineering offers a limited warranty for all snowplows and accessories. See separately printed page for this important information. The following are registered (®) trademarks of Douglas Dynamics, L.L.C.: FISHER®, Minute Mount® 2.

Printed in U.S.A.