



Minute² Mount[®]

SYSTEM

MOUNT KIT

Chevy/GMC C4500/5500 4X4

2005 - 09

Installation Instructions

⚠ CAUTION

Read this document before installing the snowplow.

⚠ CAUTION

See your FISHER[®] outlet/Web site for specific vehicle application recommendations before installation. The Kit Selection Guide has specific vehicle and snowplow requirements.

SAFETY DEFINITIONS

⚠ WARNING

Indicates a potentially hazardous situation that, if not avoided, could result in death or serious personal injury.

⚠ CAUTION

Indicates a potentially hazardous situation that, if not avoided, may result in minor or moderate injury. It may also be used to alert against unsafe practices.

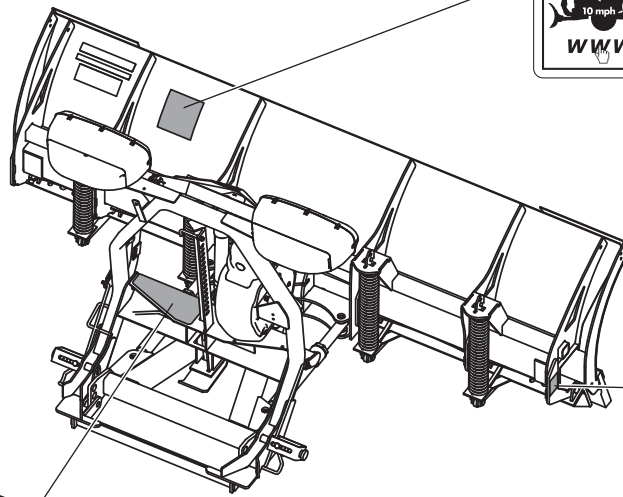
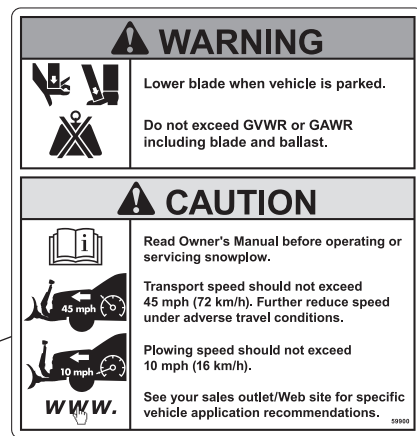
NOTE: Indicates a situation or action that can lead to damage to your snowplow and vehicle or other property. Other useful information can also be described.

WARNING/CAUTION AND INSTRUCTION LABELS

Become familiar with and inform users about the warning labels on the back of the blade and the instruction label on the headgear.

NOTE: If labels are missing or cannot be read, see your sales outlet.

Warning/Caution Label



Multiple Pinch Points Label



XLSTM Blades Only (both sides)

Instruction Label

1. Place control in Lower/Float to put blade down.
 2. Pull and hold Jack Lock out. Jack will drop to ground. Then pull Pin Release Handle away from Stop and Jack Lock. Release Jack Lock. Verify Jack is locked by trying to lift Jack.
 3. Stand in front of blade. While pushing Headgear toward vehicle with left hand, push Pin Release Handle down to disengage Connecting Pins. Make sure Connecting Pins are fully retracted. If unable to push Headgear from in front of blade, stand in front of Headgear on driver side and push Headlamp Bracket.
 4. Detach all electrical connectors.

1. Push Pin Release Handle down to pull out Connecting Pins.
 2. Drive vehicle slowly to engage Pushplates into Attachment Arms.
 3. Stand in front of blade. Fully raise Pin Release Handle to release Connecting Pins.
 4. Push Headgear toward vehicle to allow Connecting Pins to fully engage Pushplates. If unable to push Headgear from in front of blade, stand in front of Headgear on driver side and push Headlamp Bracket.
 5. Pull out Jack Lock. Push Pin Release Handle into Stop.
 6. While holding Jack Lock out, use Jack Handle to raise Jack fully. Release Jack Lock.
 7. Attach all electrical connectors.

ATTACH
DETACH

U.S. patents 5,353,530; 5,420,480; 5,638,618; 5,899,007; 6,253,470; 6,408,549; 6,944,978; 7,400,058; 7,430,821; 7,681,334; 7,737,576; 7,797,859; CAN patents 2,060,425; 2,184,922; 2,229,783; 2,356,036; and other patents pending.
 Read Owner's Manual for complete instructions.

SAFETY PRECAUTIONS

Improper installation and operation could cause personal injury and/or equipment and property damage. Read and understand labels and the Owner's Manual before installing, operating or making adjustments.

⚠ WARNING

Lower the blade when the vehicle is parked. Temperature changes could change hydraulic pressure, causing the blade to drop unexpectedly or damaging hydraulic components. Failure to do this could result in serious personal injury.

⚠ WARNING

The driver shall keep bystanders clear of the blade when it is being raised, lowered or angled. Do not stand between the vehicle and the blade or within 8 feet of a moving blade. A moving or falling blade could cause personal injury.

⚠ WARNING

Keep hands and feet clear of the blade and A-frame when mounting or removing the snowplow. Moving or falling assemblies could cause personal injury.

⚠ WARNING

Do not exceed GVWR or GAWR including the blade and ballast. The rating label is found on the driver-side vehicle door cornerpost.

⚠ WARNING

To prevent accidental movement of the blade, always turn the control OFF whenever the snowplow is not in use. The power indicator light will turn OFF.

⚠ WARNING

Remove blade assembly before placing vehicle on hoist.

⚠ CAUTION

Refer to the Kit Selection Guide for minimum vehicle recommendations and ballast requirements.

PERSONAL SAFETY

- Remove ignition key and put the vehicle in park or in gear to prevent others from starting the vehicle during installation or service.
- Wear only snug-fitting clothing while working on your vehicle or snowplow.
- Do not wear jewelry or a necktie, and secure long hair.
- Wear safety goggles to protect your eyes from battery acid, gasoline, dirt and dust.
- Avoid touching hot surfaces such as the engine, radiator, hoses and exhaust pipes.
- Always have a fire extinguisher rated BC handy, for flammable liquids and electrical fires.

FIRE AND EXPLOSION

⚠ WARNING

Gasoline is highly flammable and gasoline vapor is explosive. Never smoke while working on vehicle. Keep all open flames away from gasoline tank and lines. Wipe up any spilled gasoline immediately.

Be careful when using gasoline. Do not use gasoline to clean parts. Store only in approved containers away from sources of heat or flame.

CELL PHONES

A driver's first responsibility is the safe operation of the vehicle. The most important thing you can do to prevent a crash is to avoid distractions and pay attention to the road. Wait until it is safe to operate Mobile Communication Equipment such as cell phones, text messaging devices, pagers or two-way radios.

VENTILATION

⚠ WARNING

Vehicle exhaust contains lethal fumes. Breathing these fumes, even in low concentrations, can cause death. Never operate a vehicle in an enclosed area without venting exhaust to the outside.

NOISE

Airborne noise emission during use is below 70 dB(A) for the snowplow operator.




VIBRATION

Operating snowplow vibration does not exceed 2.5 m/s² to the hand-arm or 0.5 m/s² to the whole body.

TORQUE CHART

⚠ CAUTION

Read instructions before assembling. Fasteners should be finger tight until instructed to tighten according to the torque chart. Use standard methods and practices when attaching snowplow, including proper personal protective safety equipment.

Recommended Fastener Torque Chart (ft-lb)			
Size	Torque		
	 SAE Grade 2	 SAE Grade 5	 SAE Grade 8
1/4-20	6	9	13
5/16-18	11	18	28
3/8-16	19	31	46
3/8-24	24	46	68
7/16-14	30	50	75
1/2-13	45	75	115
9/16-12	66	110	165
5/8-11	93	150	225
3/4-10	150	250	370
7/8-9	150	378	591
1-8	220	583	893
Metric Grade 8.8 (ft-lb)			
Size	Torque	Size	Torque
M 6	7	M 12	60
M 8	17	M 14	95
M 10	35	M 16	155
These torque values apply to fasteners except those noted in the instruction.			

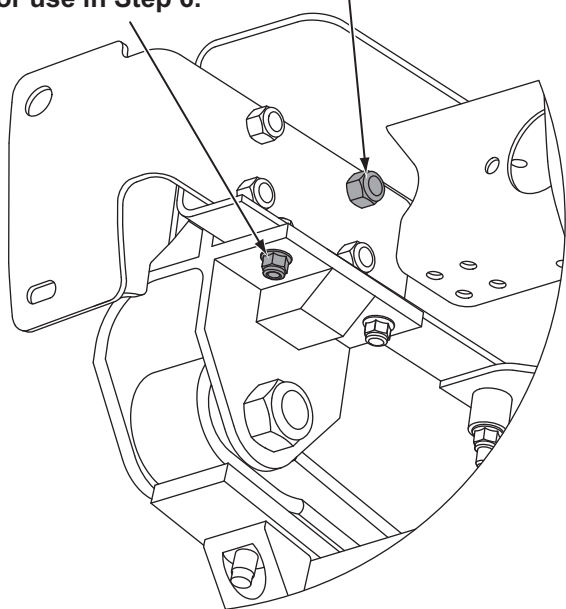
INSTALLATION INSTRUCTIONS

NOTE: For easier assembly and installation, vehicle and all snowplow components should be on a smooth, level, hard surface, such as concrete.

1. Remove the two **lower** bumper bolts only, and retain the fasteners.
2. Remove the plastic inner fender splash shield from the passenger side of the frame and retain the fasteners.
3. **On the passenger's side of the vehicle only**, remove the fasteners as shown below. If the vehicle is equipped with tow hooks, do not remove them at this time.

Remove and retain
for use in Step 6.

Remove.



**Bumper not shown for clarity.
Do not remove bumper during installation.**

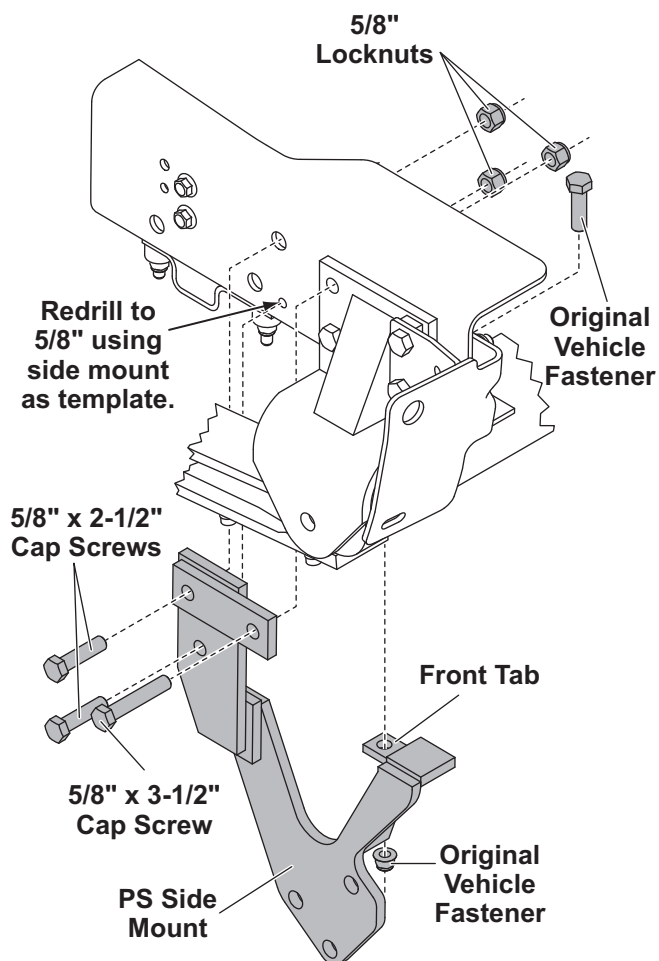
4. Install the passenger-side side mount by placing it on top of the spring cross tube and hooking it into place around the spring hanger. Insert a 5/8" x 3-1/2" cap screw through the mount into the hole where the fastener was removed in Step 3. Do not install the locknut until instructed to do so.

5. Install a 5/8" x 2-1/2" cap screw through the top remaining hole in the mount and through the frame. Attach a 5/8" locknut and hand tighten.
6. Reusing the original vehicle fasteners, insert the cap screw down through the frame rail, the spring hanger and the front tab of the mount. **Attach the original locknut and fully tighten it according to the torque chart.**

⚠ CAUTION

Use caution not to pinch, cut, or drill through any wires or hoses running along the frame rails.

7. Using the side mount as a guide, enlarge the lower frame hole to 5/8" diameter and insert a 5/8" x 2-1/2" cap screw through the mount and frame. Attach a 5/8" locknut and hand tighten.



**Bumper not shown for clarity.
Do not remove bumper during installation.**

8. Remove the two front fasteners and the rear lower fastener attaching the bumper brackets to the frame on both sides of the vehicle, while keeping the bumper brackets in place.

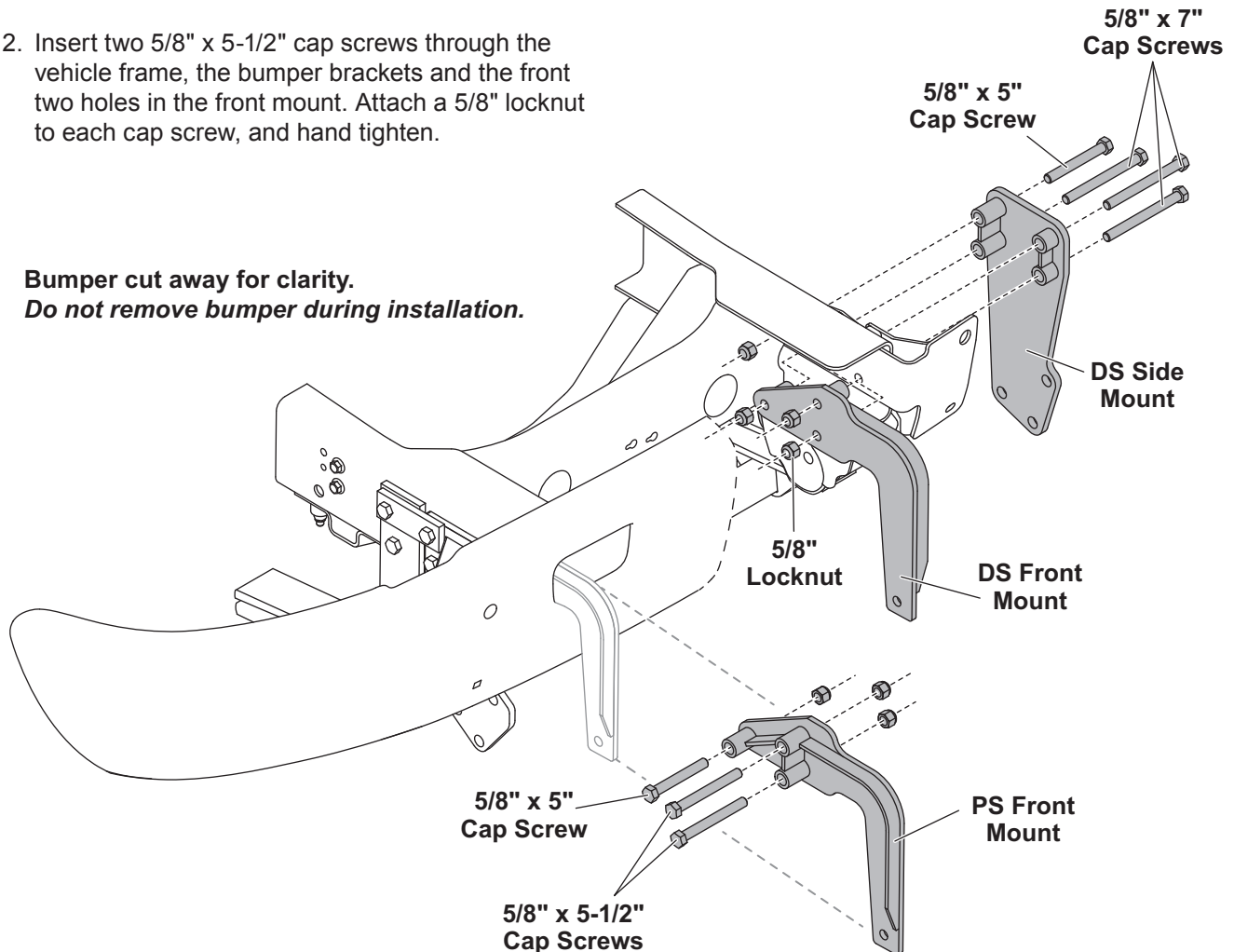
If applicable, remove the tow hooks at this time. The tow hooks cannot be used with the mounts installed. Retain the tow hooks and fasteners for reinstallation if snowplow is removed.

9. Install a 5/8" locknut onto the open cap screw from Step 4 and hand tighten.
10. Tighten all of the fasteners on the passenger-side side mount according to the torque chart.
11. On the passenger's side, insert the front mount through the tow hook opening in the bumper. Position the front mount on the inside of the vehicle frame so that its holes line up with the holes in the bumper brackets.
12. Insert two 5/8" x 5-1/2" cap screws through the vehicle frame, the bumper brackets and the front two holes in the front mount. Attach a 5/8" locknut to each cap screw, and hand tighten.

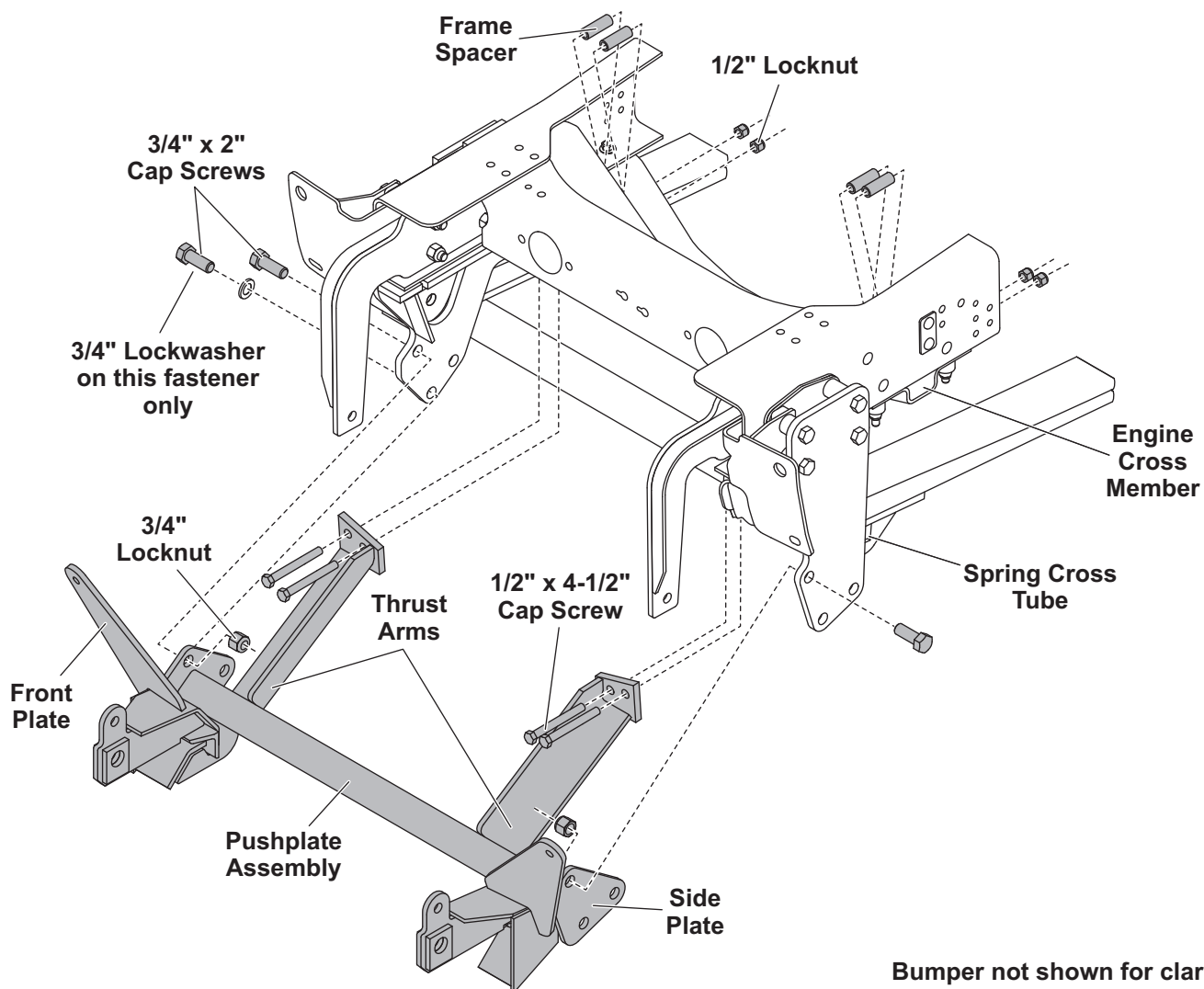
13. Insert a 5/8" x 5" cap screw through the vehicle frame, the bumper brackets and the remaining hole in the front mount. Attach a 5/8" locknut to the cap screw and hand tighten.

14. On the driver's side, insert the front mount through the tow hook opening in the bumper. Position the front mount on the inside of the vehicle frame so that its holes line up with the holes in the bumper brackets.

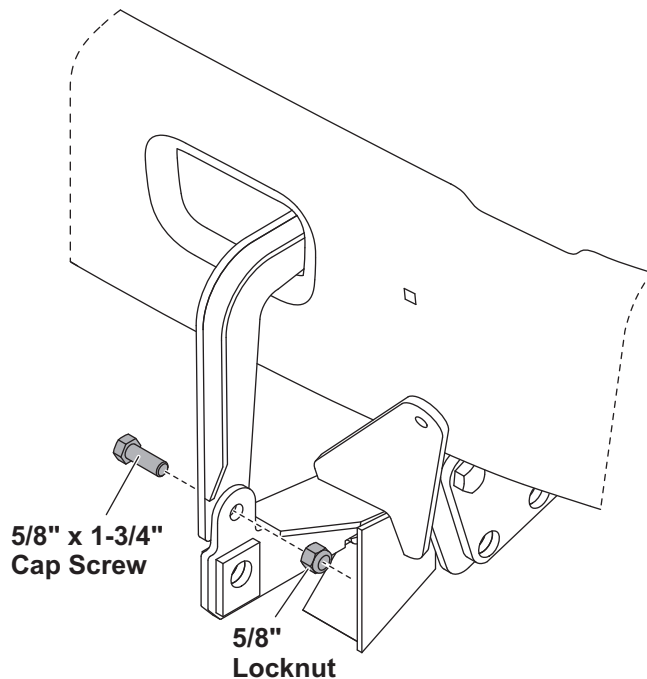
15. Insert three 5/8" x 7" cap screws through the driver-side side mount, vehicle frame, bumper brackets, and front mount. Insert a 5/8" x 5" cap screw through the fourth hole in the side mount, vehicle frame and bumper brackets. Attach a 5/8" locknut to each cap screw and hand tighten.



16. Rest the thrust arms of the pushplate assembly on the spring cross tube. Lift the front of the pushplate assembly so that the holes in the side plates line up with the three holes in each side mount. Insert a 3/4" x 2" cap screw into the top hole on each side to attach the pushplate assembly to the side mounts. Place a 3/4" locknut on each cap screw and hand tighten.
17. Align the holes in the thrust arms with the holes in the engine cross member. Drop a frame spacer into the engine cross member from above, then insert a 1/2" x 4-1/2" cap screw into a hole in one of the thrust arms, feeding it through the engine cross member and the frame spacer. Place a 1/2" locknut onto the cap screw and hand tighten. Repeat for the other three holes in the thrust arms.

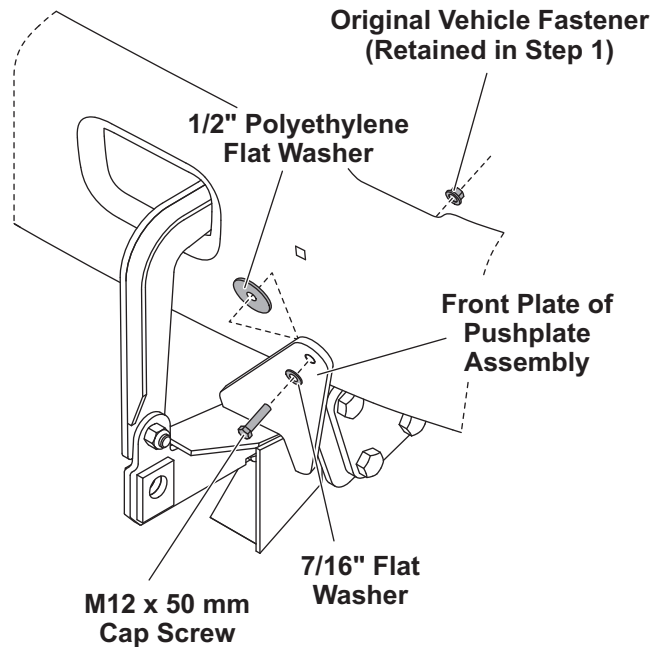


18. Align the hole in the driver-side front mount with the corresponding hole in the pushplate assembly and insert a 5/8" x 1-3/4" cap screw. Place a 5/8" locknut on the cap screw and hand tighten. Repeat for the passenger's side.

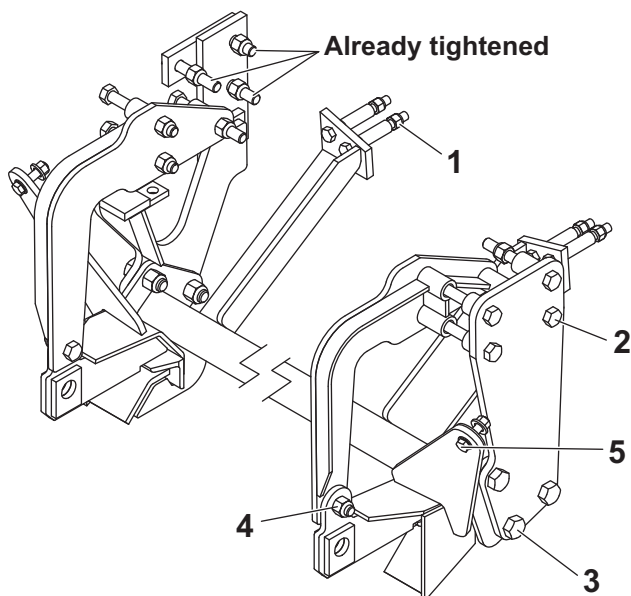


19. Finish attaching the pushplate assembly to the side mounts using the remaining four 3/4" x 2" cap screws (placing a lock washer onto the cap screw for the bottom hole on the passenger side) and 3/4" locknuts. Hand tighten.

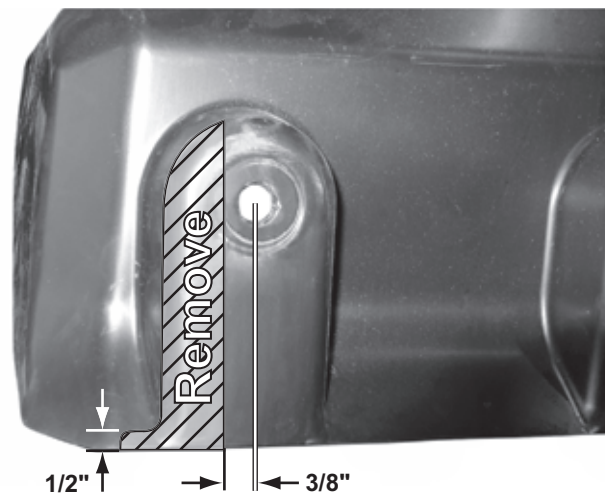
20. Place a 7/16" flat washer on each M12 x 50 mm cap screw. Insert one of the cap screws into the front plate of the pushplate assembly. Slide a 1/2" polyethylene flat washer between the front plate and the bumper, then push the cap screw through the washer, the bumper and the bumper brackets. Place one of the locknuts retained in Step 1 onto the cap screw and hand tighten. Repeat for other side.



21. Tighten the remaining fasteners according to the torque chart, in the order indicated below. Tighten one set of fasteners on both sides of the mount before moving on to the next set of fasteners.



22. Cut the plastic inner fender splash shield from Step 2 as shown below and reinstall using the original fasteners.



NOTE: After five to ten hours of snowplow usage, retorque all pushplate assembly fasteners.

Fisher Engineering reserves the right under its product improvement policy to change construction or design details and furnish equipment when so altered without reference to illustrations or specifications used. Fisher Engineering or the vehicle manufacturer may require or recommend optional equipment for snow removal. Do not exceed vehicle ratings with a snowplow. Fisher Engineering offers a limited warranty for all snowplows and accessories. See separately printed page for this important information. The following are registered (®) or unregistered (™) trademarks of Douglas Dynamics, L.L.C.: FISHER®, Minute Mount® 2, XLS™.

Printed in U.S.A.
